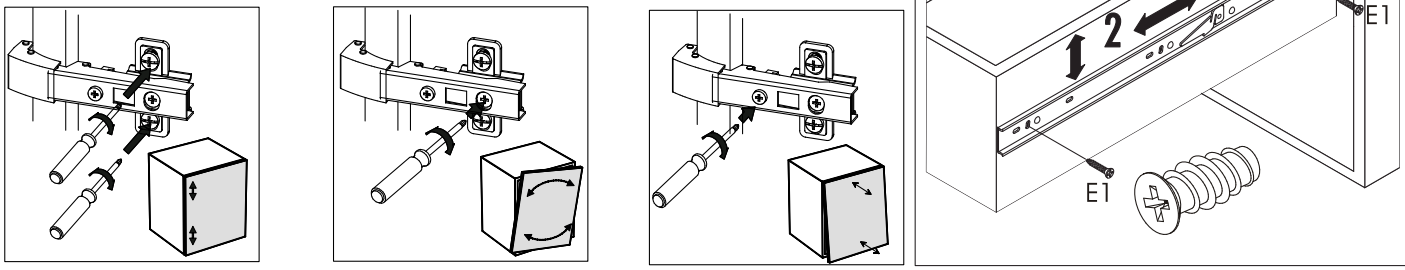
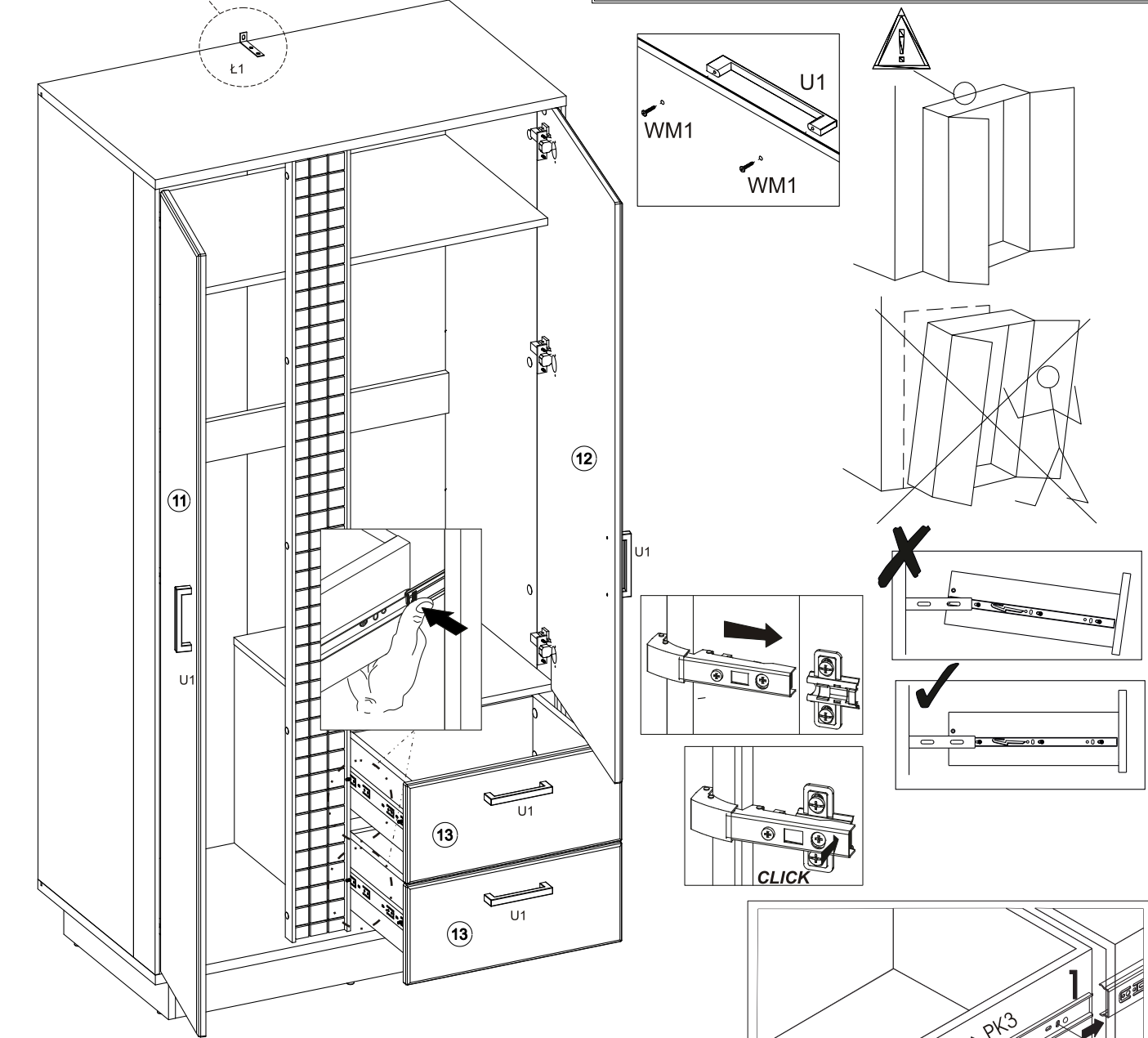
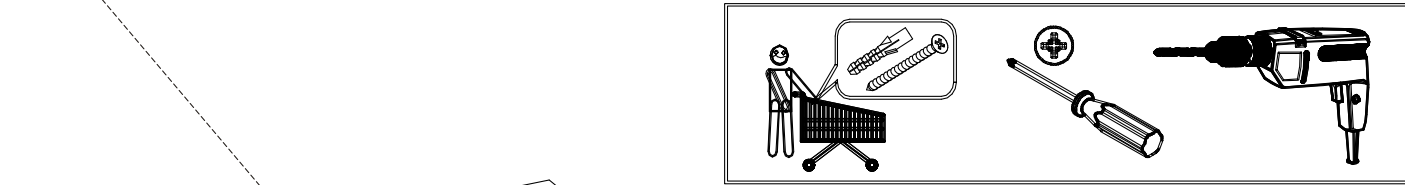
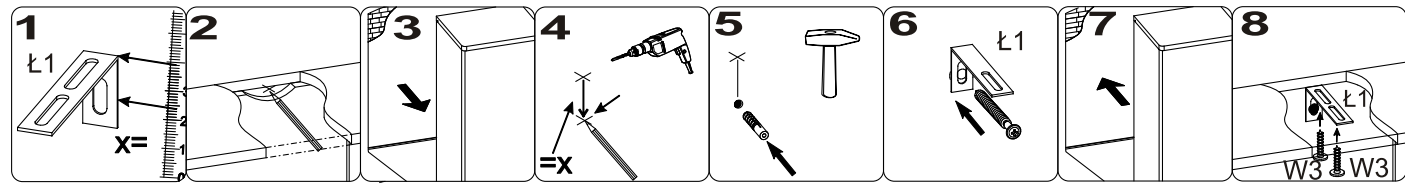
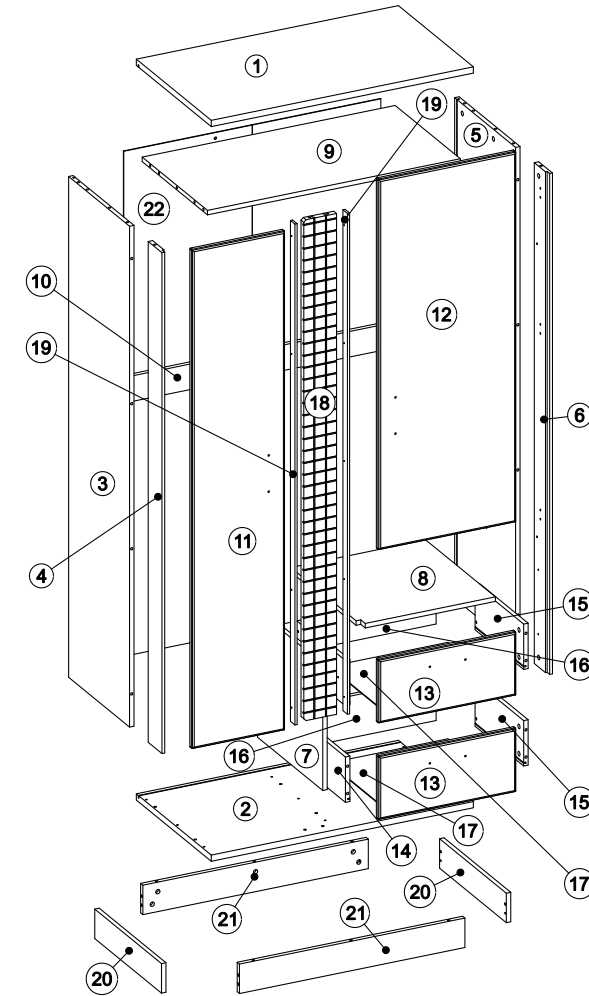
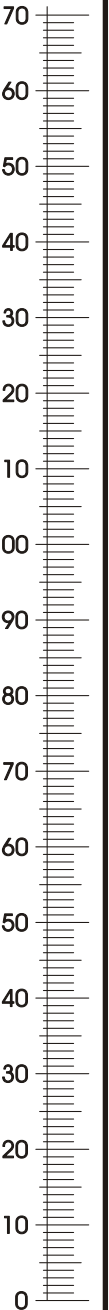
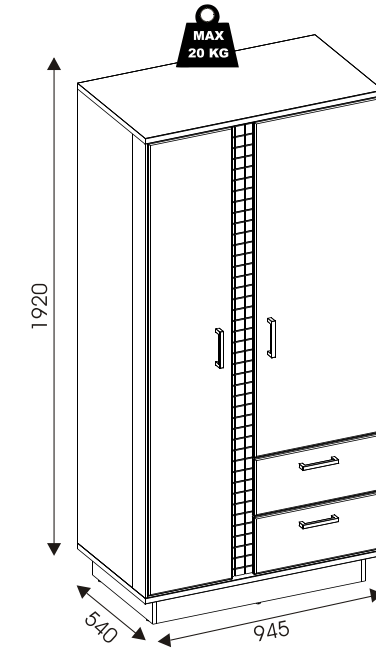
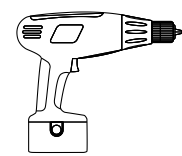
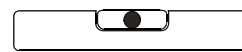
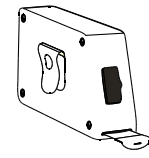
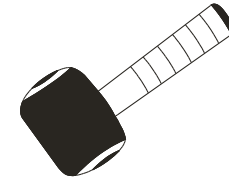
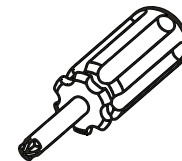
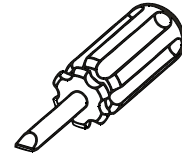
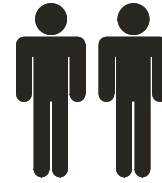
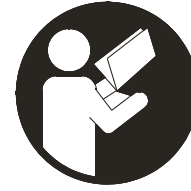


18

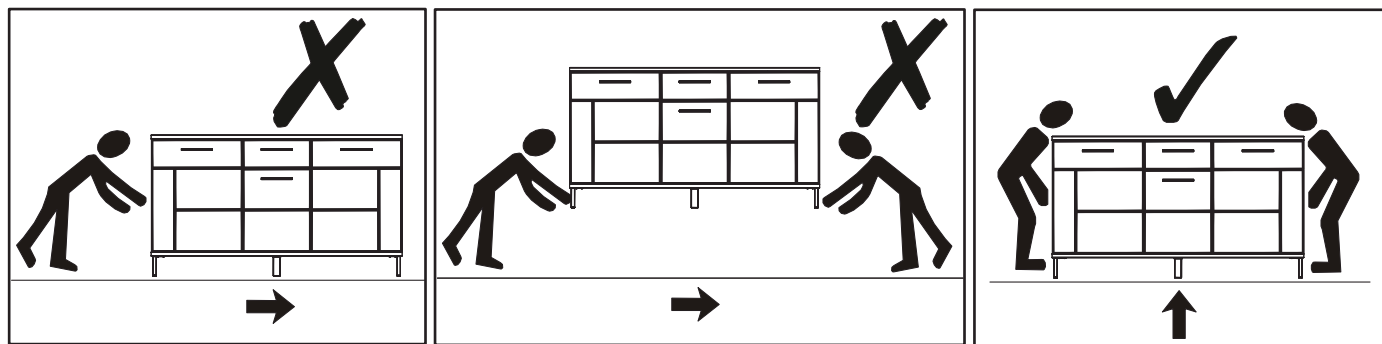
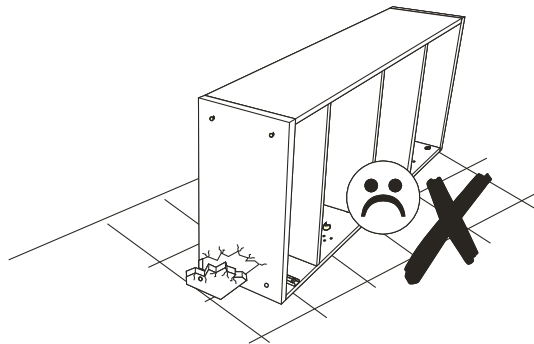
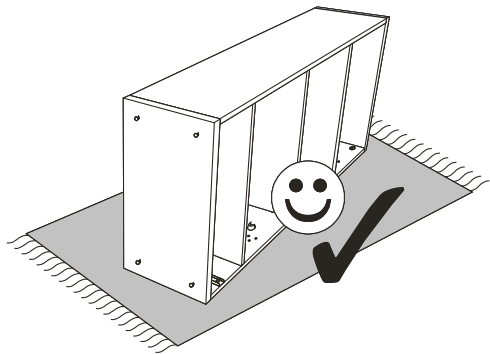
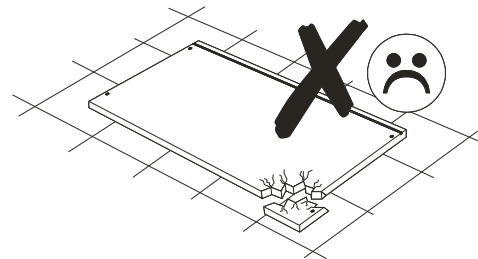
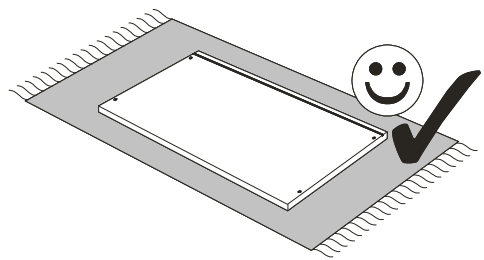
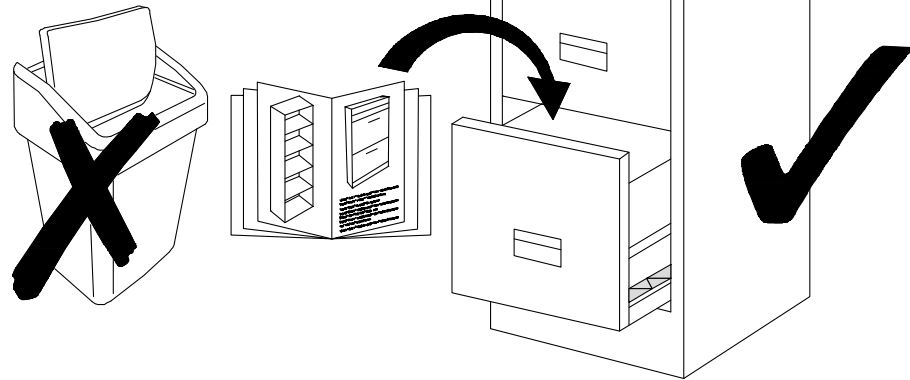


MODELL: MR9



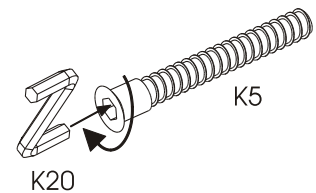
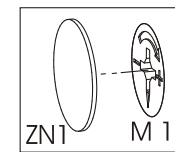
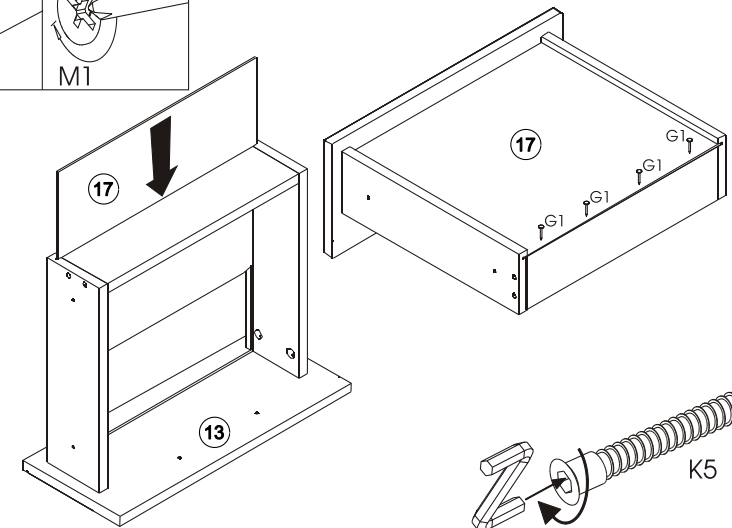
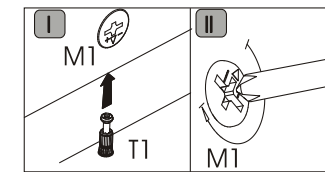
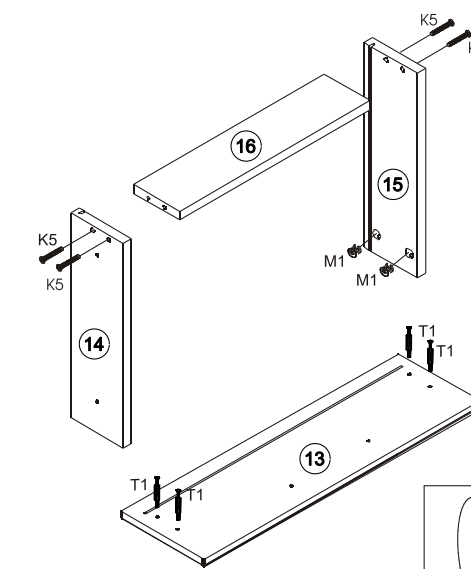
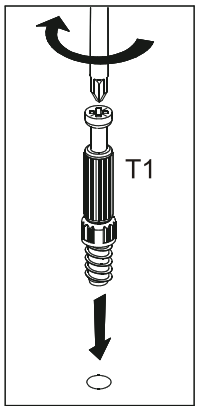
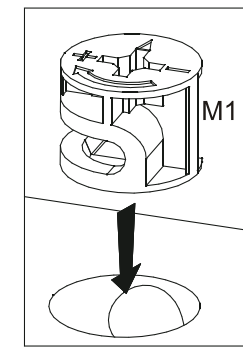
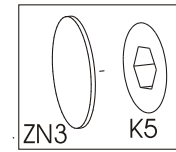
22	926x1782	3/3
21	812x104	2/3
20	481x104	2/3
19	1767x32	3/3
18	1767x118	3/3
17	357x427	3/3
16	412x148	3/3
15	350x160	3/3
14	350x160	3/3
13	496x224	3/3
12	1307x496	3/3
11	1761x335	3/3
10	911x90	1/3
9	911x470	1/3
8	486x502	3/3
7	447x470	3/3
6	1767x99	2/3
5	1767x439	2/3
4	1767x99	2/3
3	1767x439	2/3
2	944x540	1/3
1	944x540	1/3

			3x 4x13 WP2	8x 6.4x50 K5	1x K20	2kpl. #350 PK3	1x LED 10x10x1765	1x L1
4x #20/325 ZN2	14x 3.5x16 W3	14x ST1	6x ZC8	10x 3x25 W10	14x 3x20 W9	6x H=2 PR2	4x U1	6x N1
18x #14/112 ZN3	28x 8x30 K1	2x WS1	16x 5x11 E1	55x #15/15 M1	55x DU232T T1	8x 4x30 WM1	38x #20/112 ZN1	22x 2x20 G1

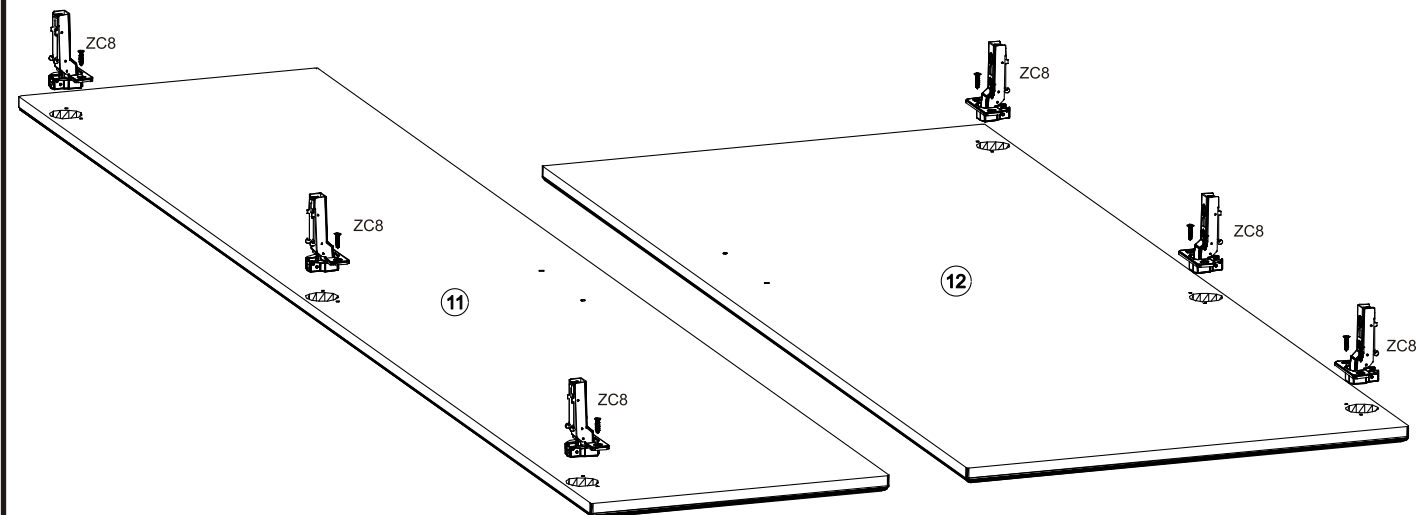
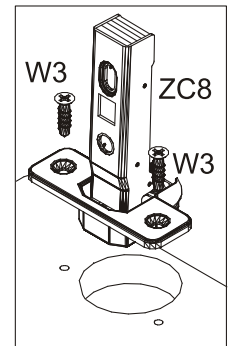
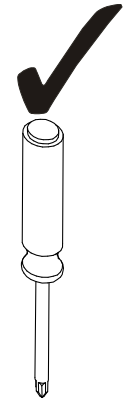
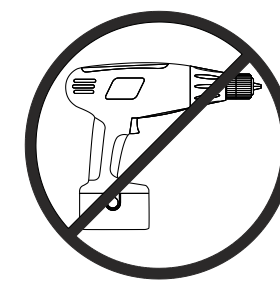


16▶

x2

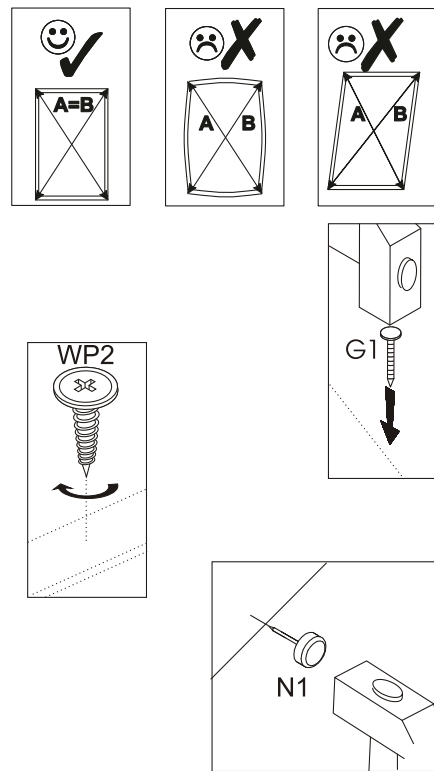
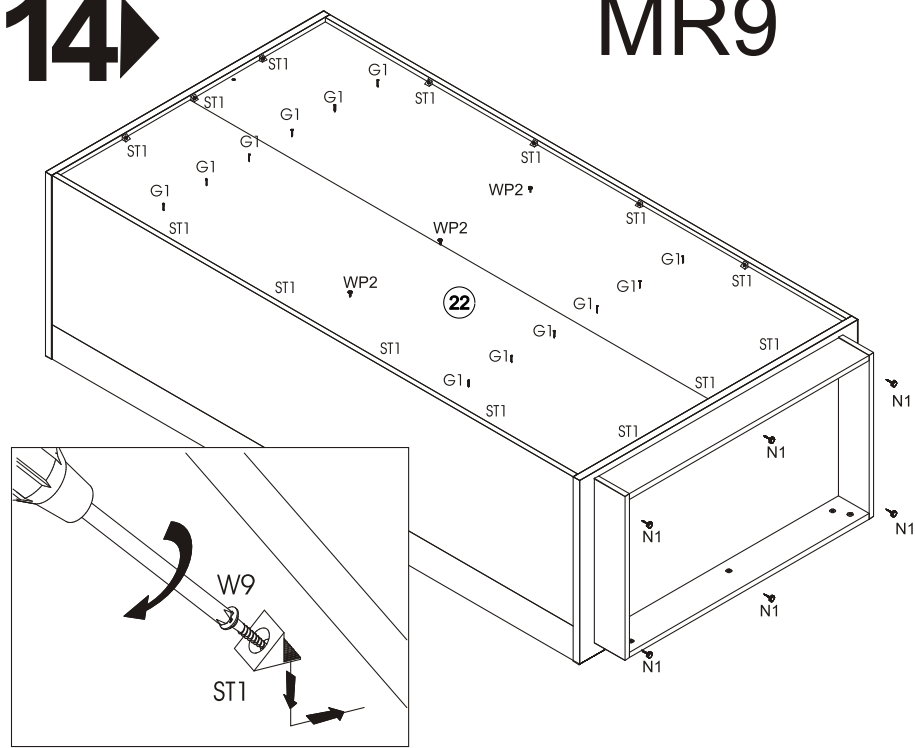


17▶

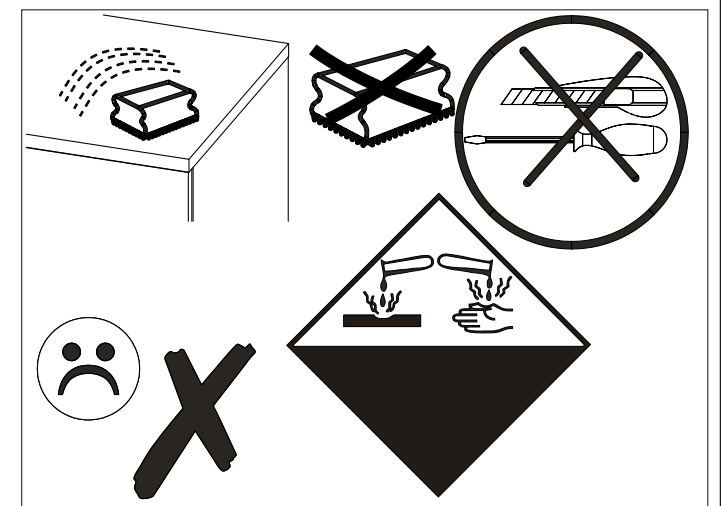
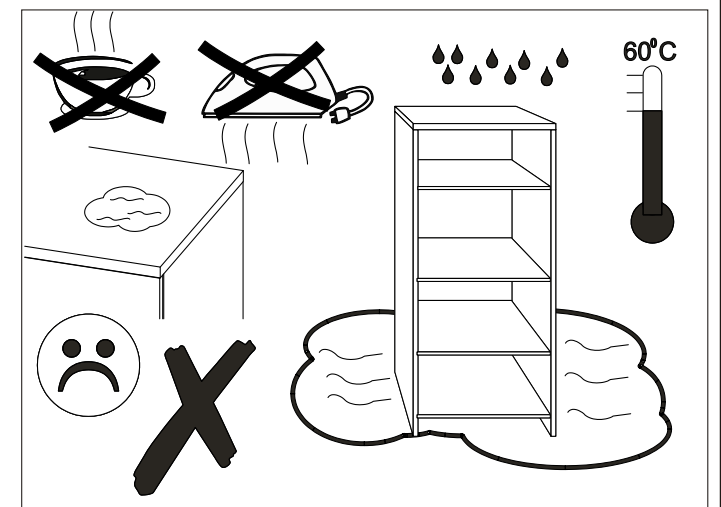
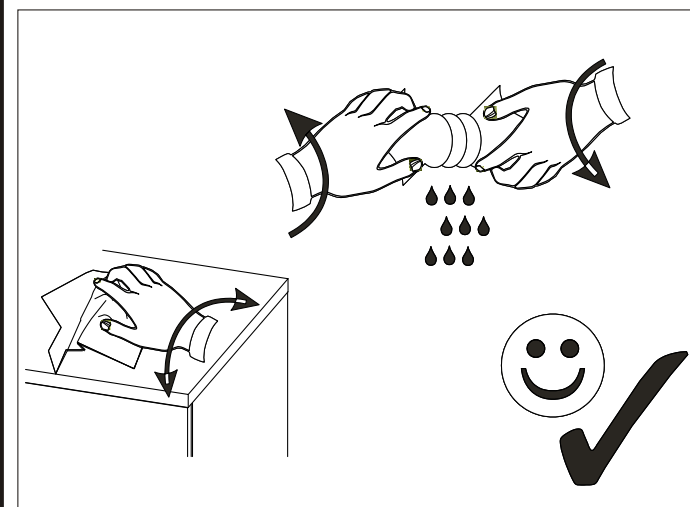
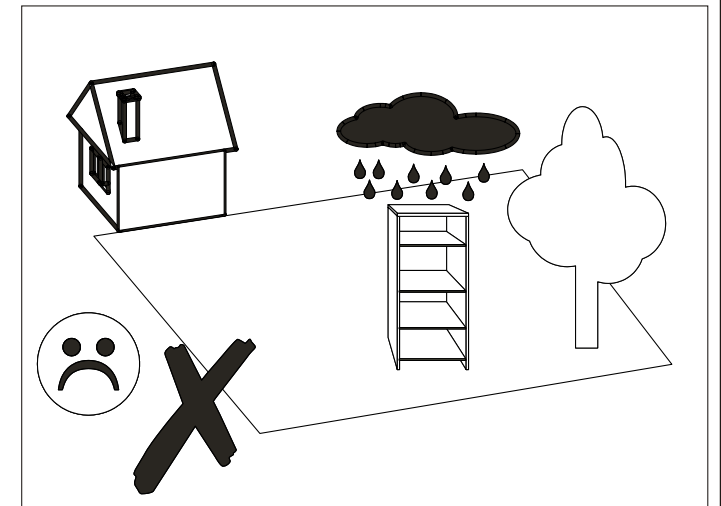
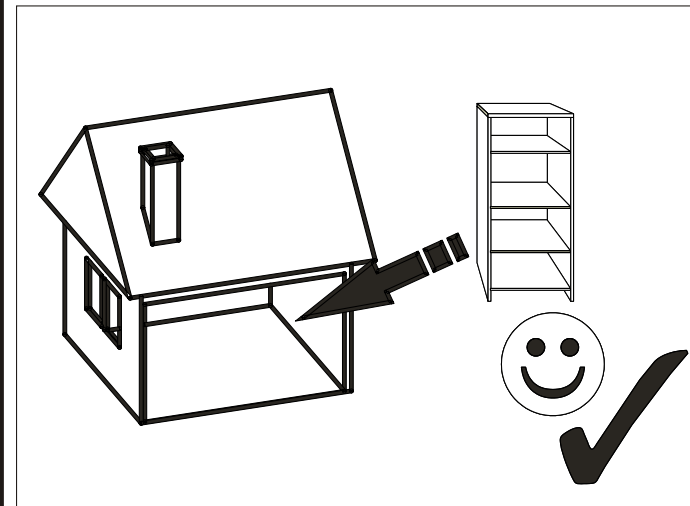
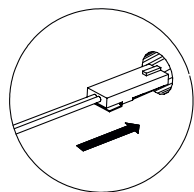
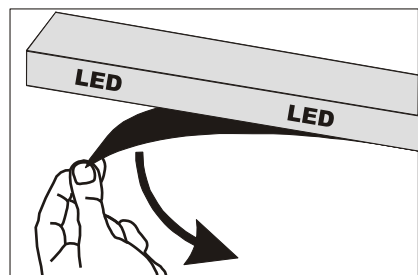
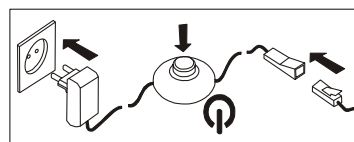
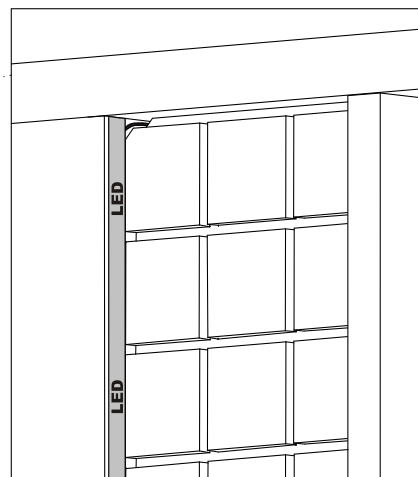
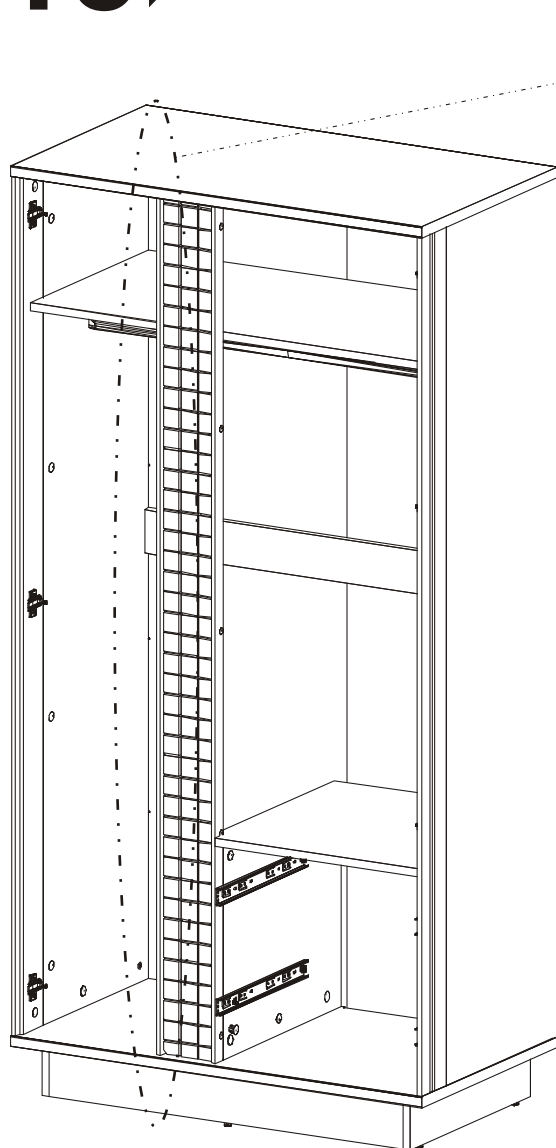


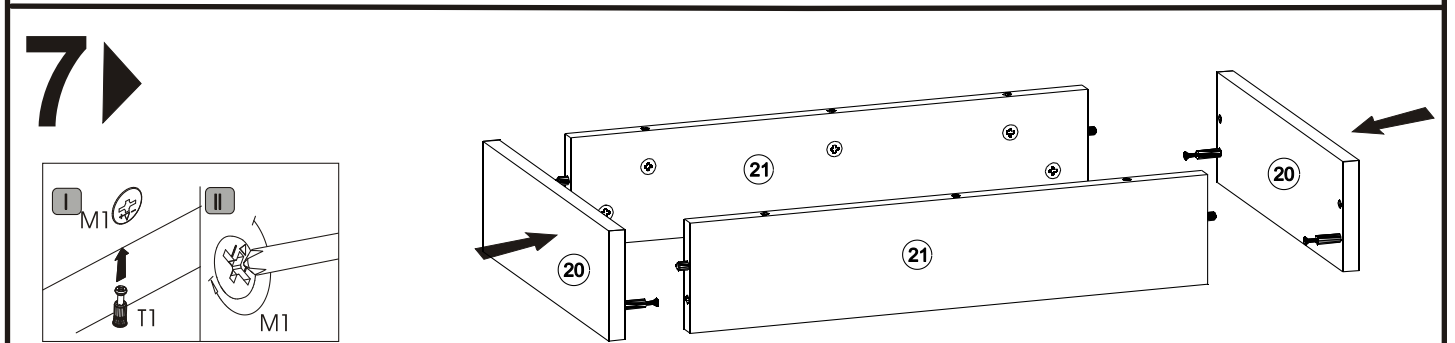
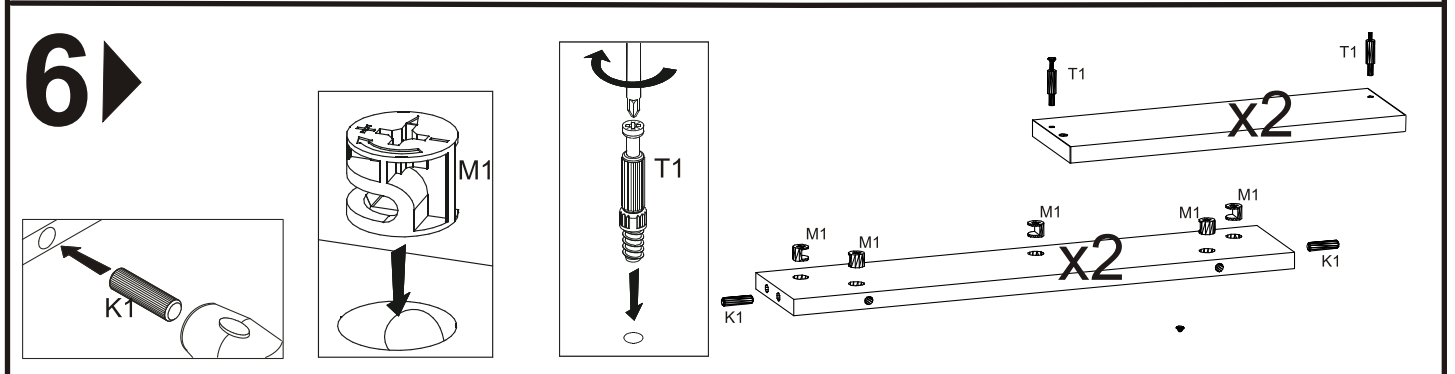
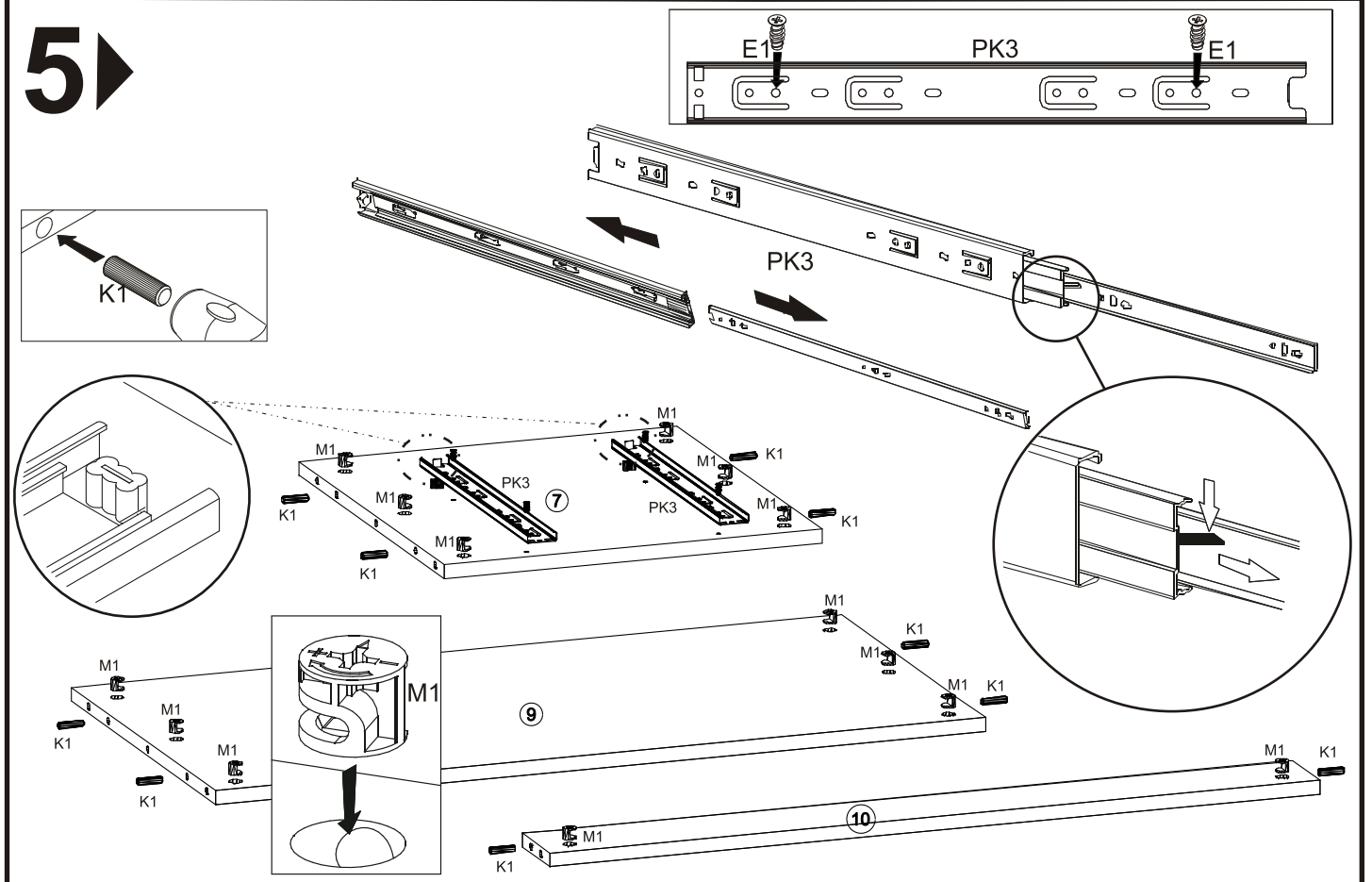
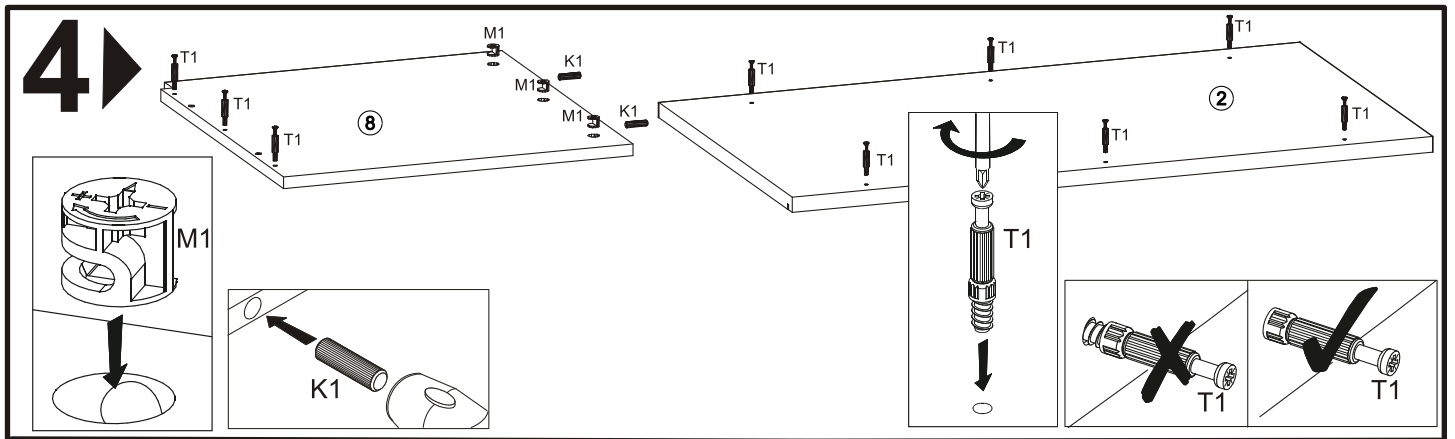
14

MR9



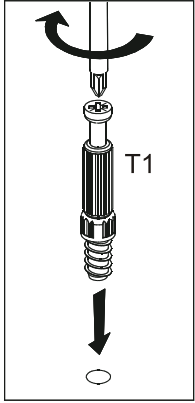
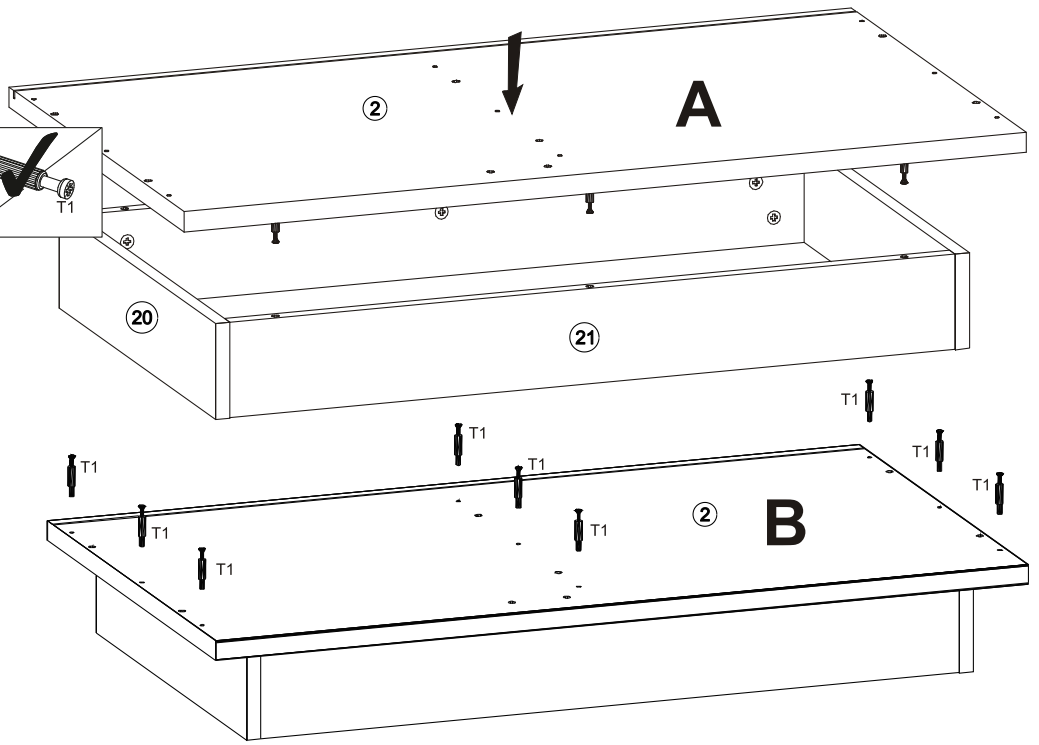
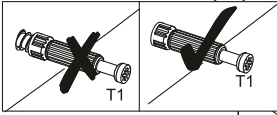
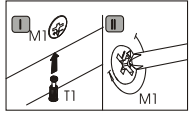
15



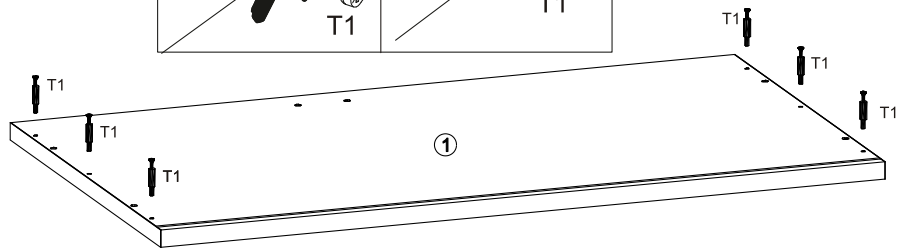
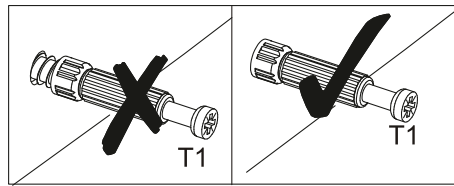
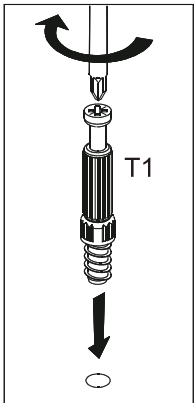


8

MR9



9



10

