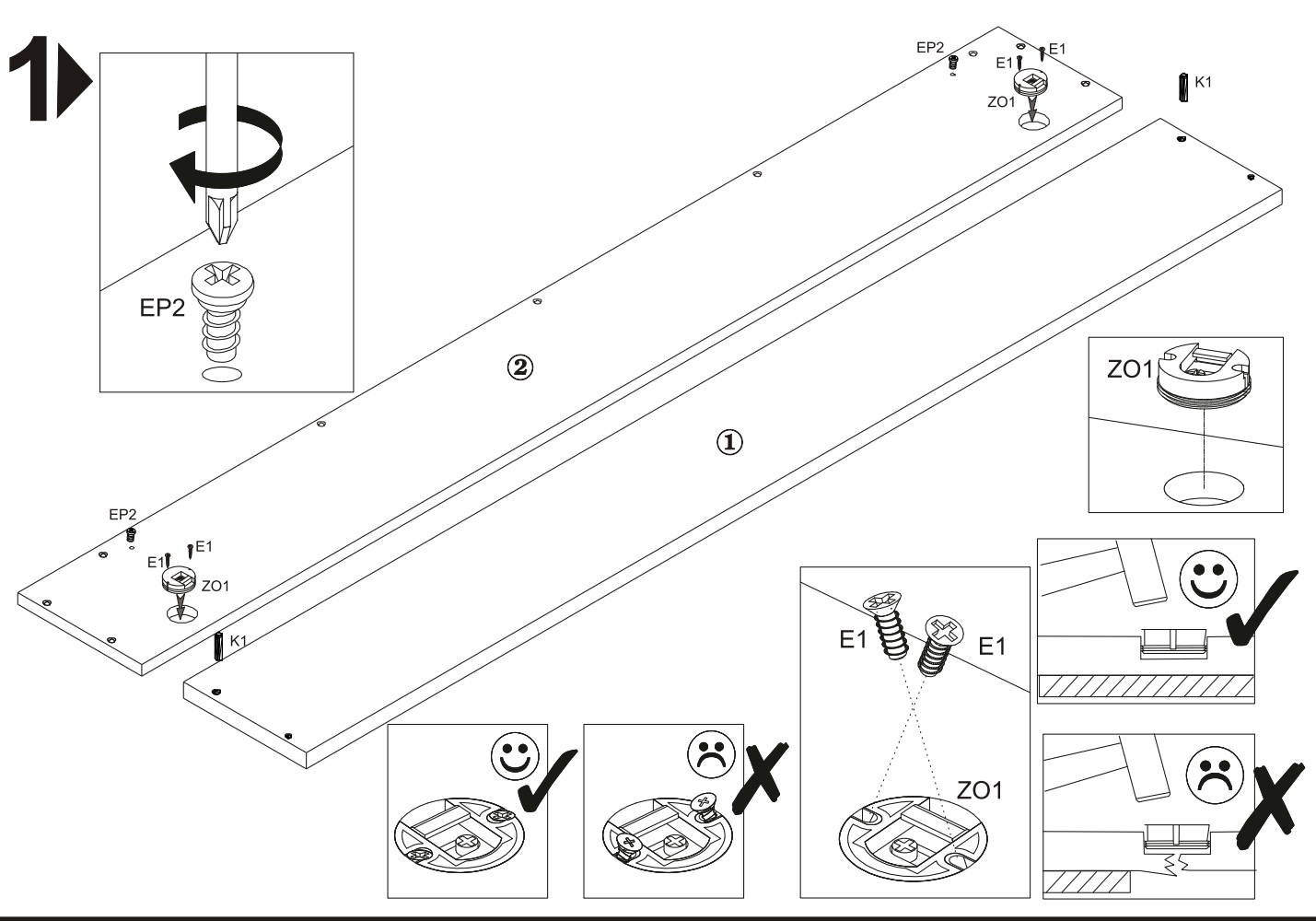


# MODELL: MR10

3	200x160	1/1
2	1530x218	1/1
1	1528x218	1/1



- |                      |                   |                   |                  |                     |                     |                   |           |
|----------------------|-------------------|-------------------|------------------|---------------------|---------------------|-------------------|-----------|
| #14/112<br>2x<br>ZN3 | 5x60<br>2x<br>W26 | 10x50<br>2x<br>D1 | 5x11<br>4x<br>E1 | 6,4x50<br>11x<br>K5 | 6,3x13<br>2x<br>EP2 | 8x30<br>2x<br>ZO1 | 1x<br>K20 |
|----------------------|-------------------|-------------------|------------------|---------------------|---------------------|-------------------|-----------|

