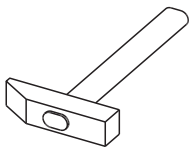
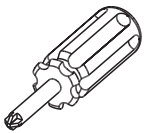
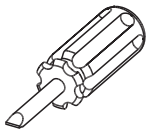
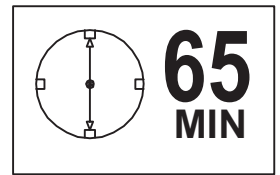


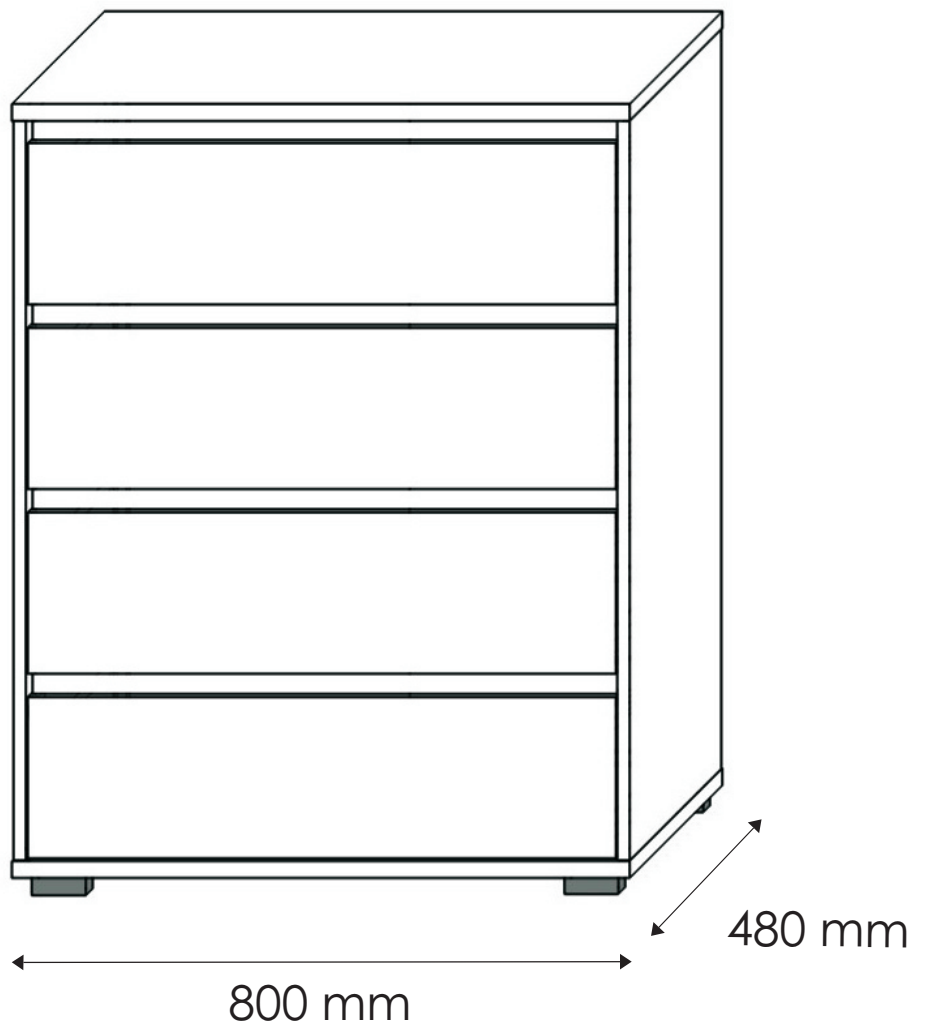
КОМОД Лайн 4Ш



Ø8

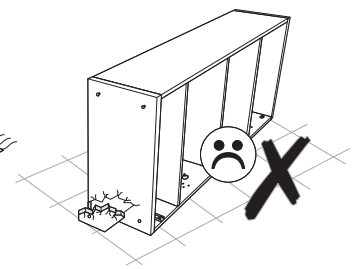
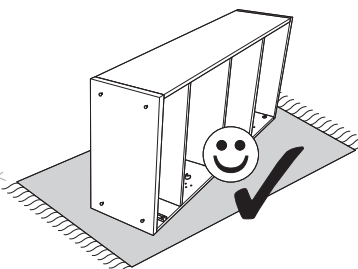
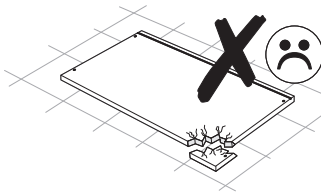
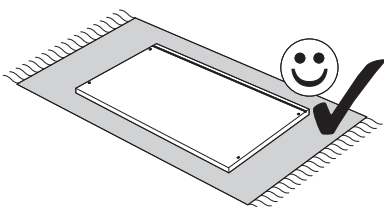


1028 mm

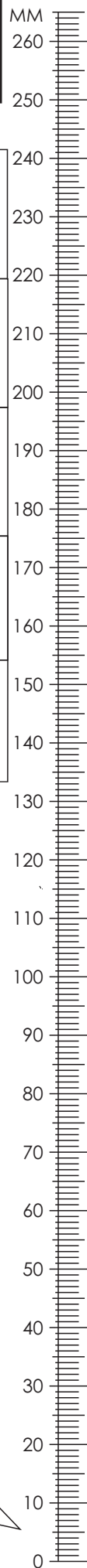



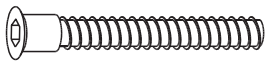








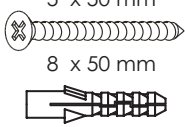
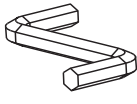
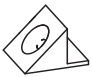
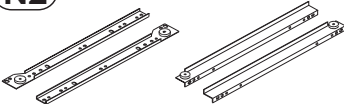
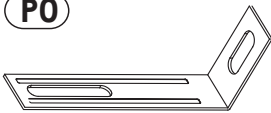
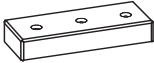

800 mm

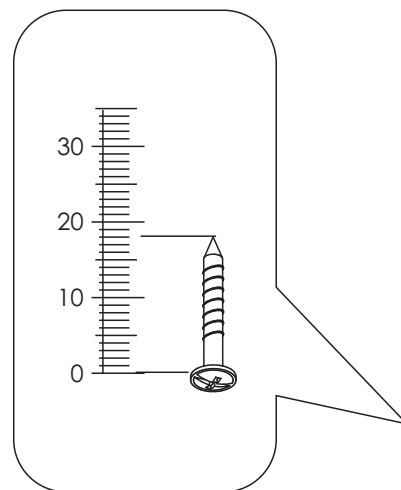
480 mm



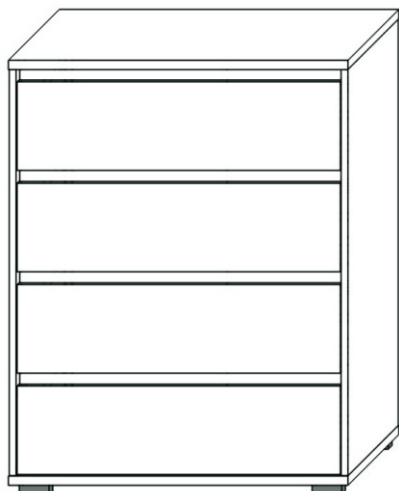
Комод Лайн 4Ш




A0 8 x 32mm x58 	B1 f 7 x 50 mm x26 	C0 x16 
C7 16mm x28 	C2 x28 	D0 3 x 15 mm x48 
D3 3.5 x 10 mm x8 	D5 3.5 x 16 mm x24 	D14 4 x 35 mm x12 
D21 5 x 13 mm x33 	E0 5 x 50 mm 8 x 50 mm x1 	K 4mm x1 
M1 x48 	N2 L-400 x4 	P0 x1 
T2 x4 	U0 x8 	

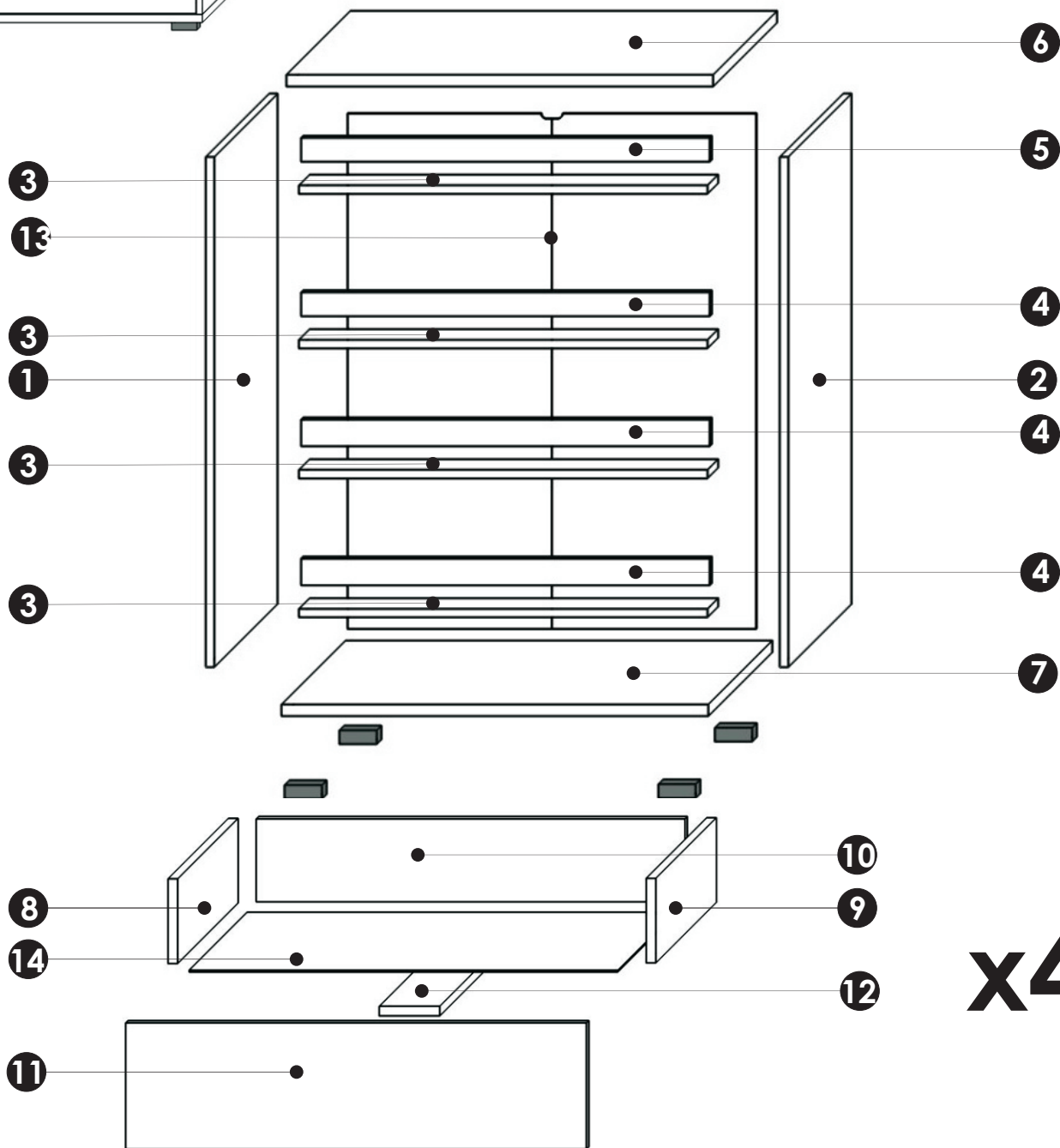


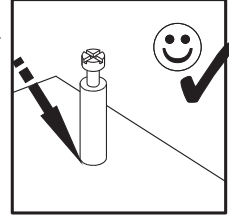
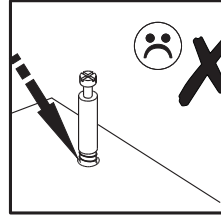
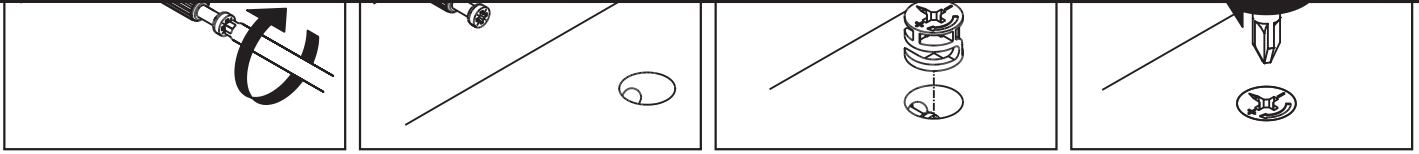
Комод Лайн 4Ш



1	959	475	16	x1	1/2
2	959	475	16	x1	1/2
3	766	70	16	x4	1/2
4	766	50	22	x3	1/2
5	766	45	22	x1	2/2
6	800	480	22	x1	2/2
7	800	480	22	x1	2/2
8	400	140	16	x4	1/2

9	400	140	16	x4	1/2
10	709	137	16	x4	1/2
11	762	209	16	x4	2/2
12	384	100	16	x4	1/2
13	968	776	3	x1	1/2
14	719	394	3	x4	2/2
					1/2





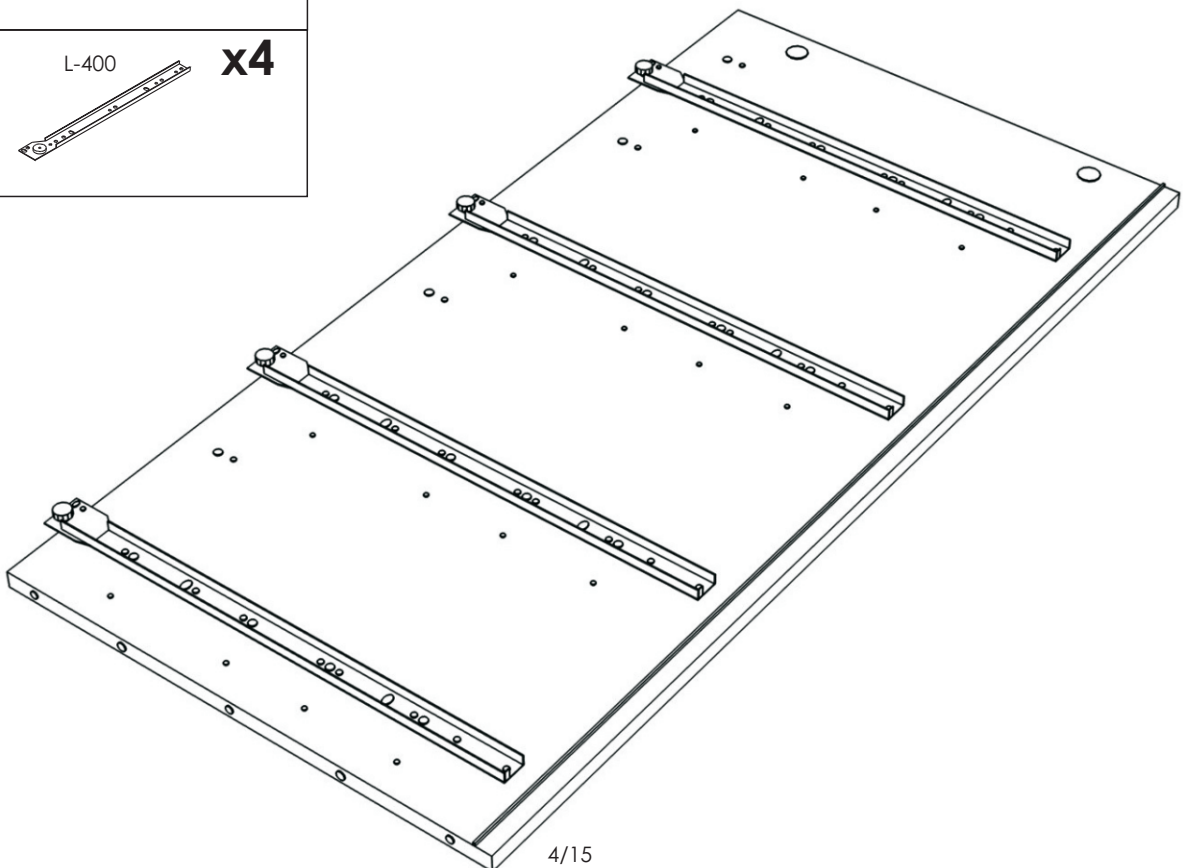
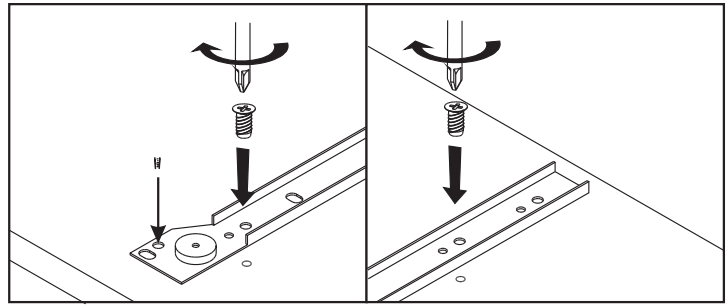
A0 8 x 32mm **x5**

C2 **x4**







D3 3.5 x 10 mm **x4**

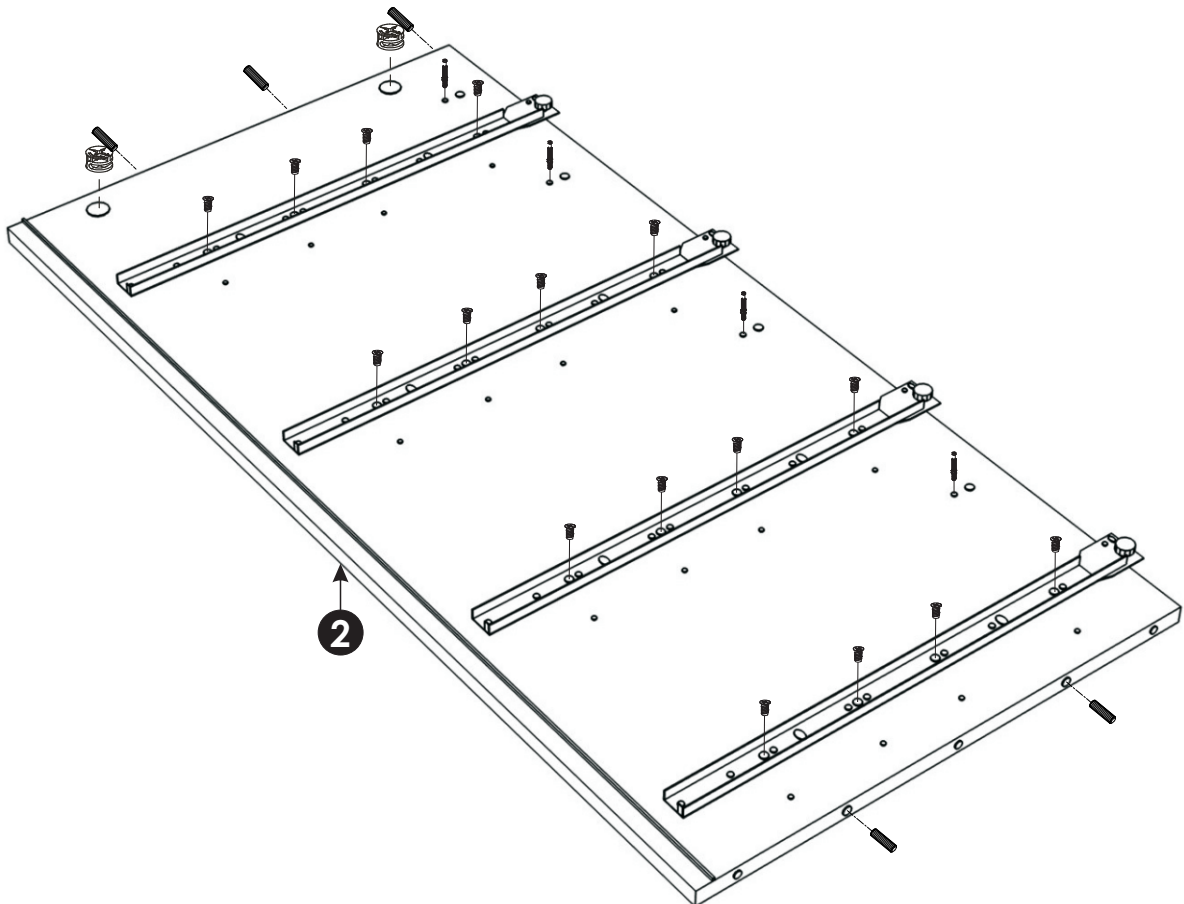
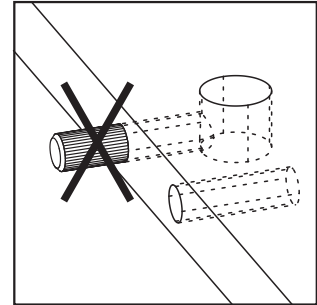
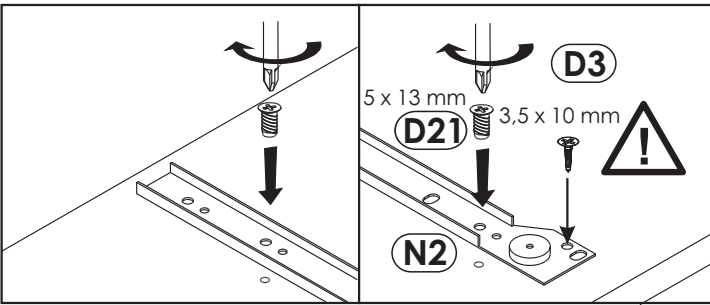
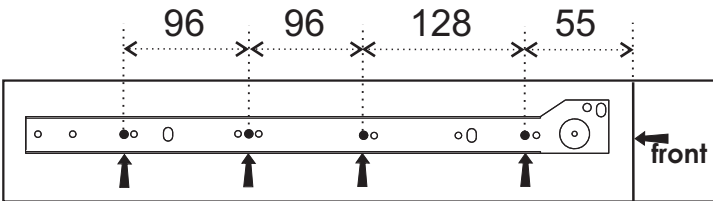
D21 5 x 13 mm **x16**

N2 L-400 **x4**

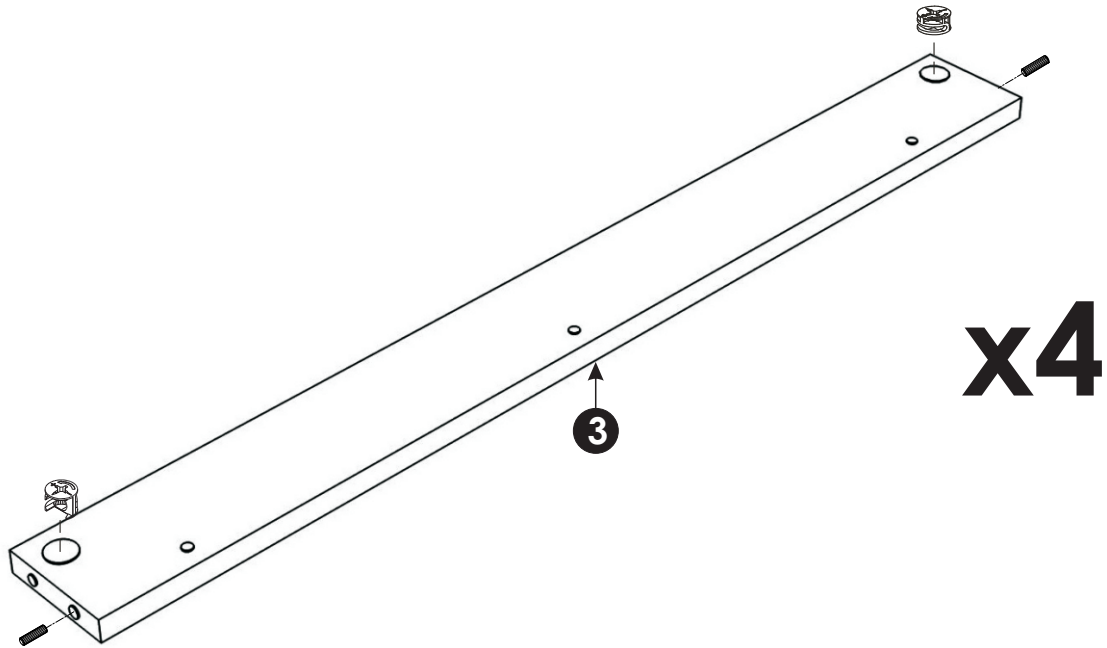
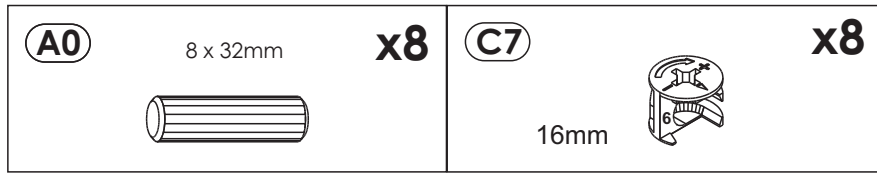


2 ▶

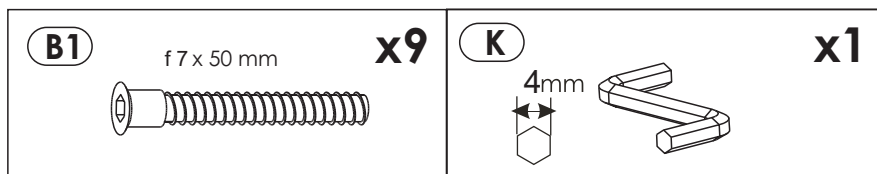
(A0) 8 x 32mm x5 	(C7) 16mm x2 	(C2) x4 
(D3) 3.5 x 10 mm x4 	(D21) 5 x 13 mm x16 	(N2) L-400 x4 



3 ▶

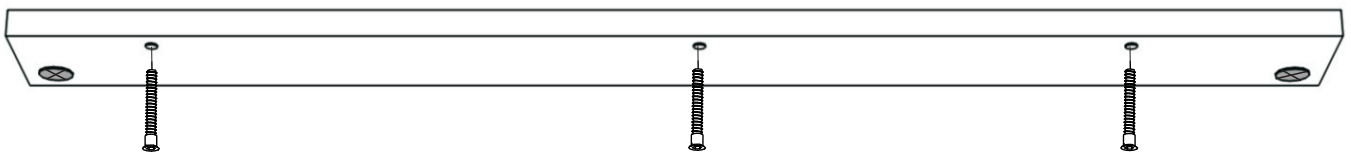
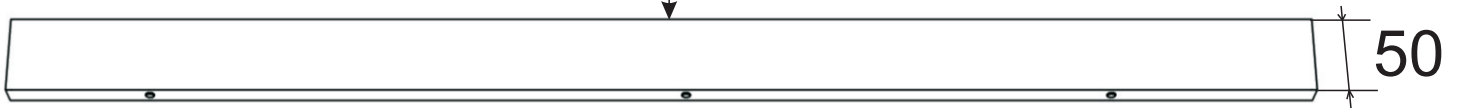


4 ▶

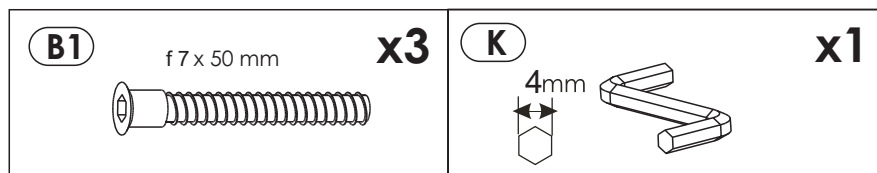


x3

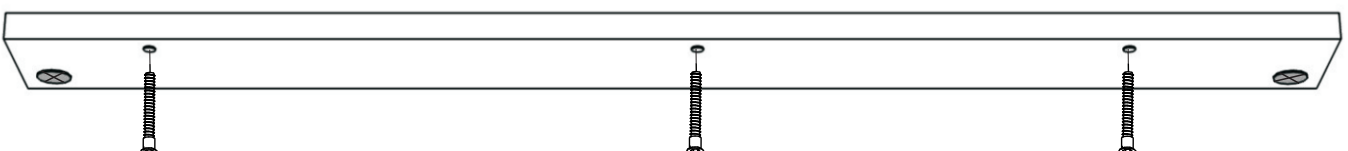
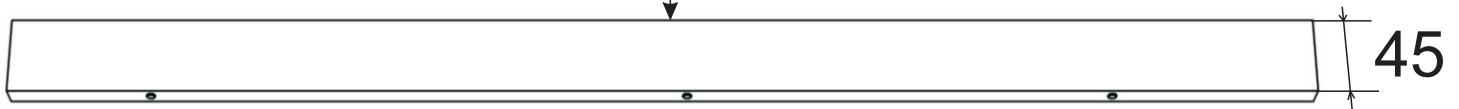
4



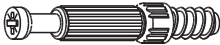


5 ▶

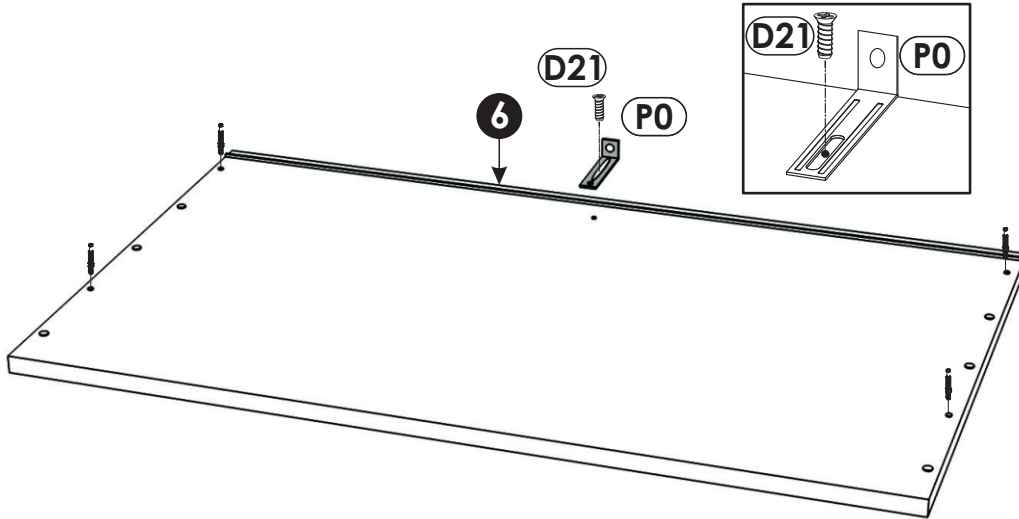


5


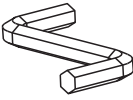


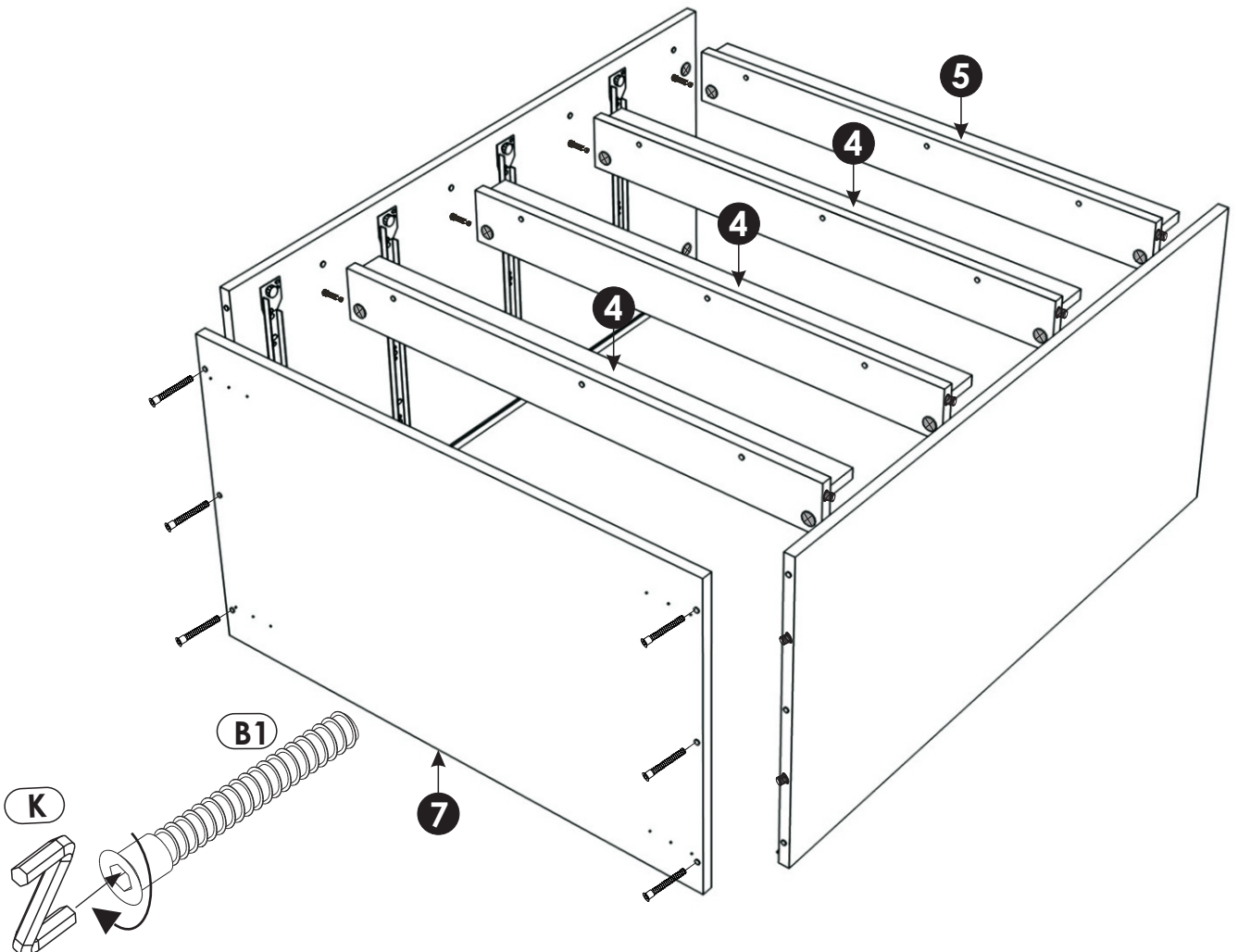
6 ▶

C2 	x4	D21 	5 x 13 mm	x1	P0 	x1
--	-----------	---	-----------	-----------	--	-----------


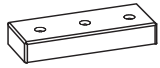


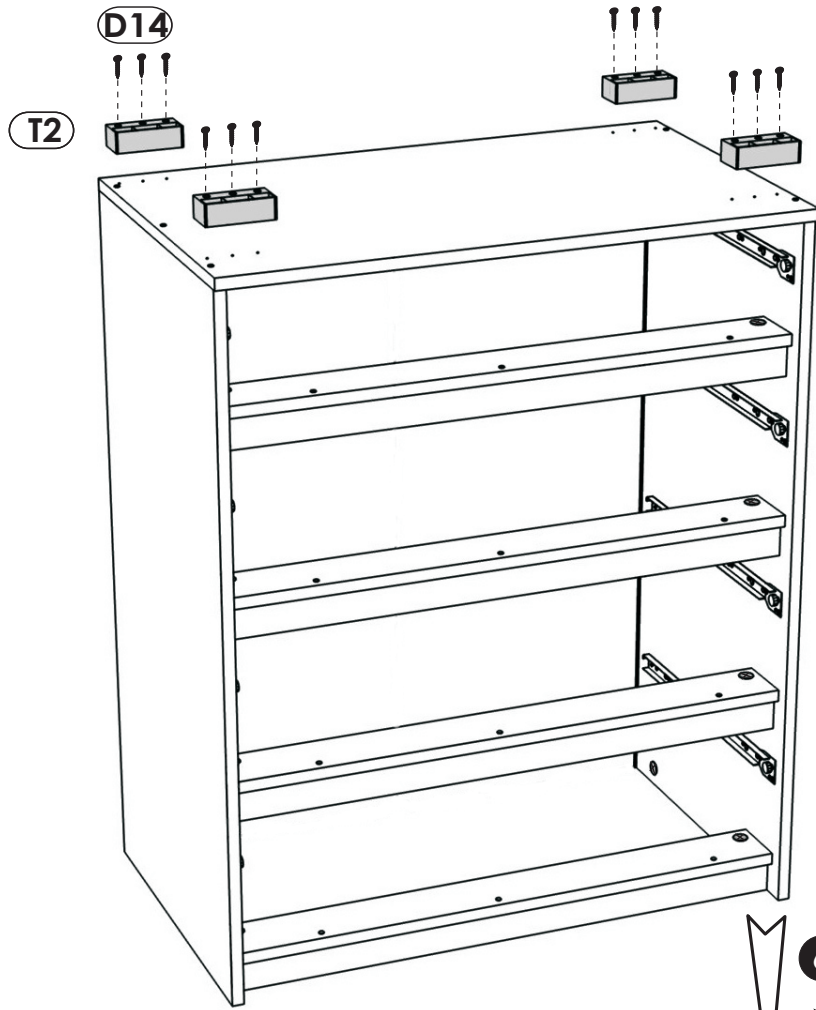
7 ▶

B1 	f 7 x 50 mm	x6	K 	4mm	x1
---	-------------	-----------	--	-----	-----------

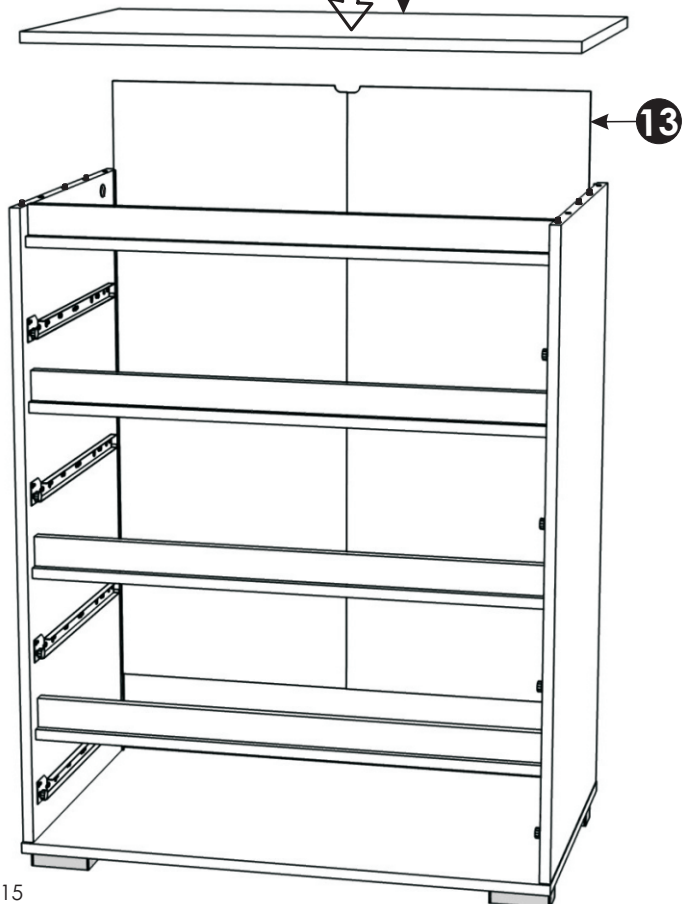


8 ▶



D14	4 x 35 mm	x12	T2		x4
					

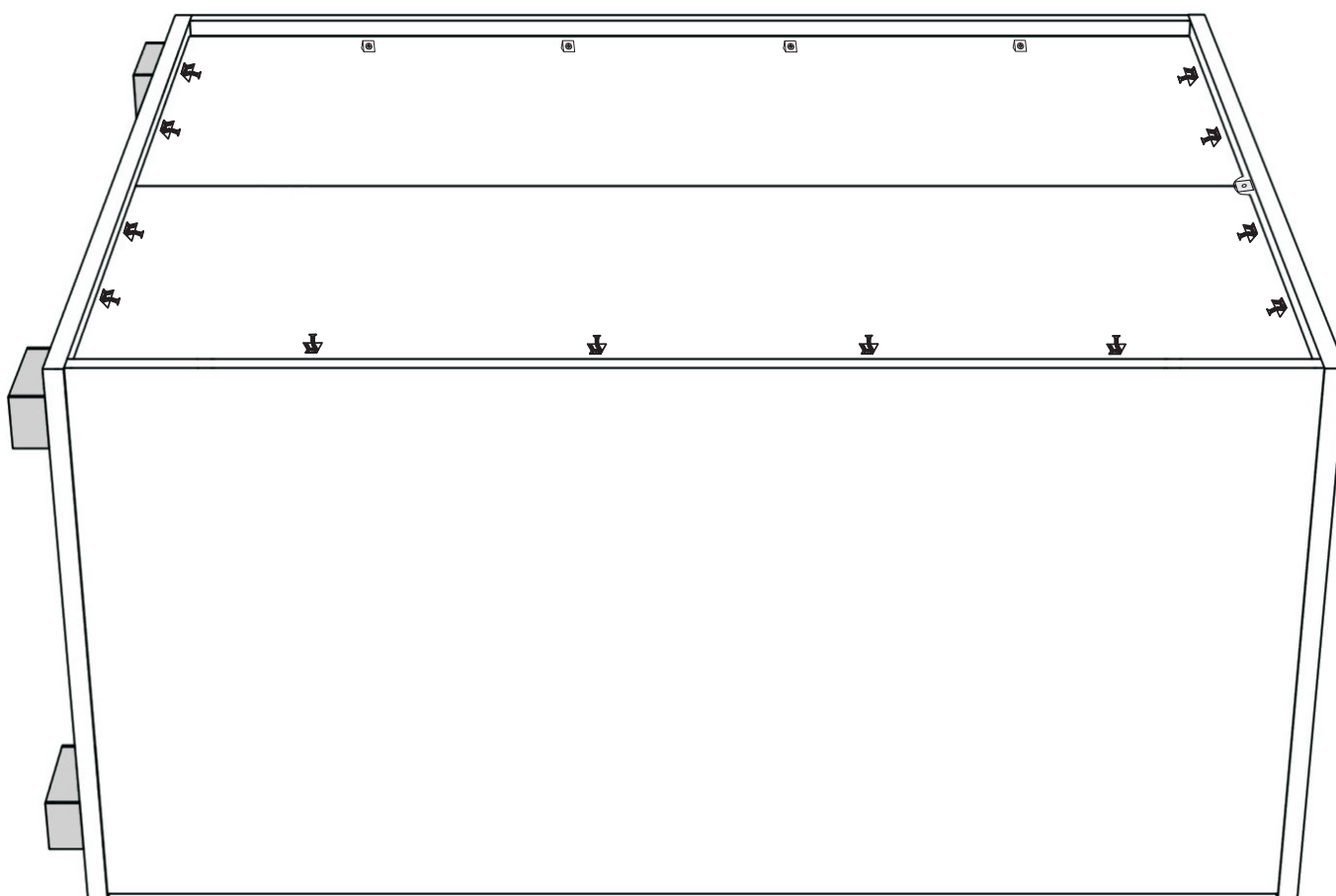
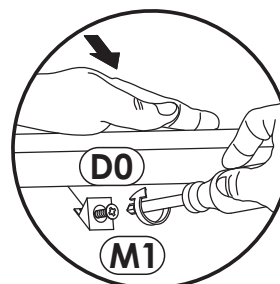
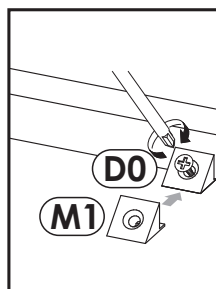
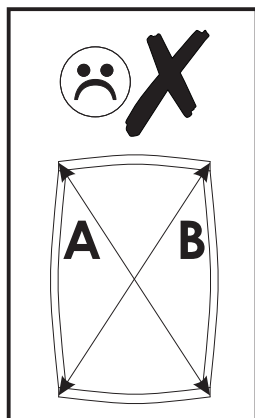
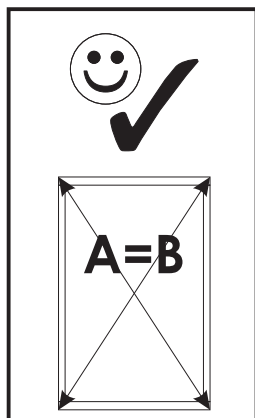


9 ▶

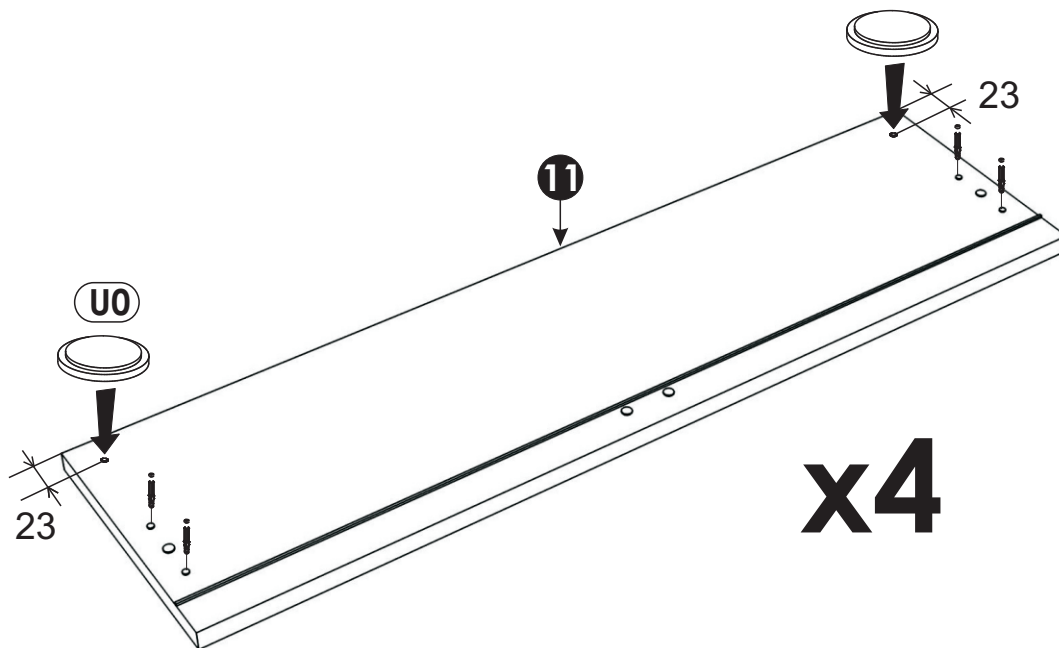
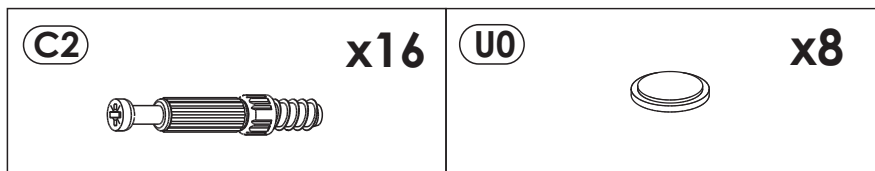


10 ▶

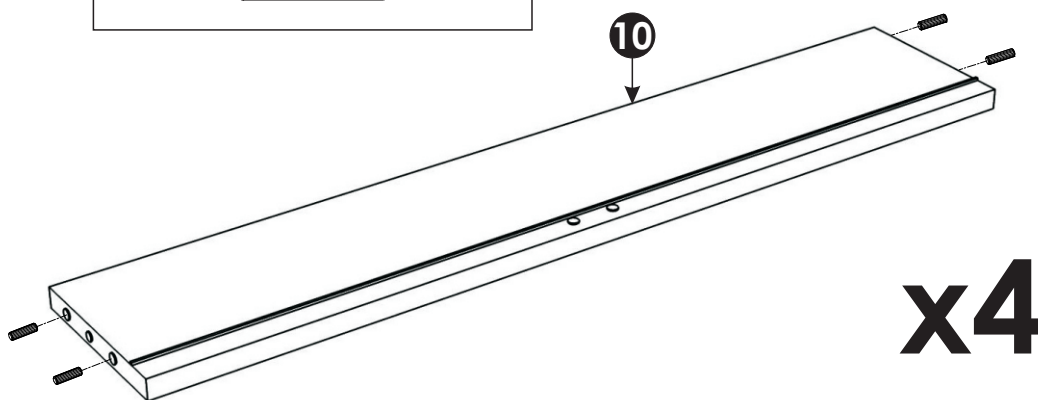
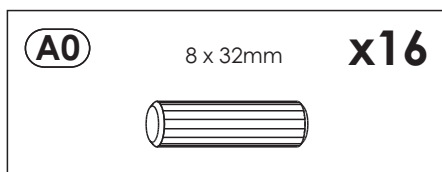
(D0) 3 x 15 mm 	x16	(M1) 	x16
---	------------	---	------------



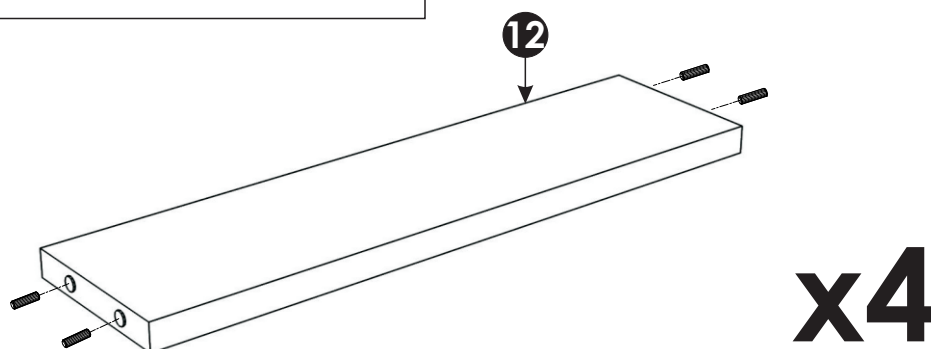
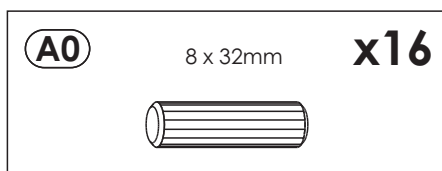
11 ▶



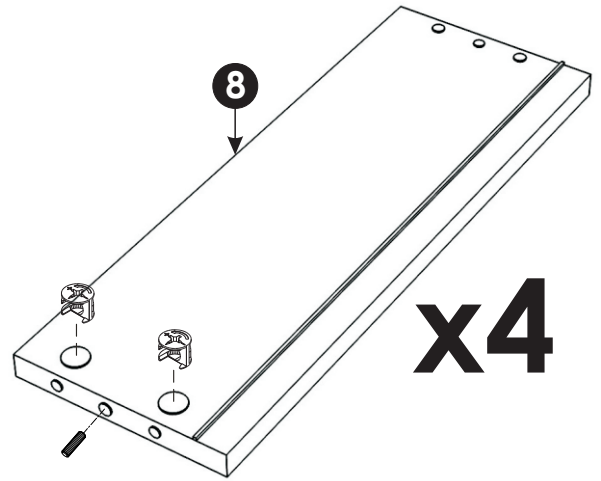
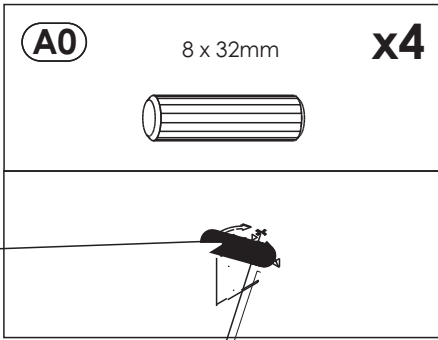
12 ▶



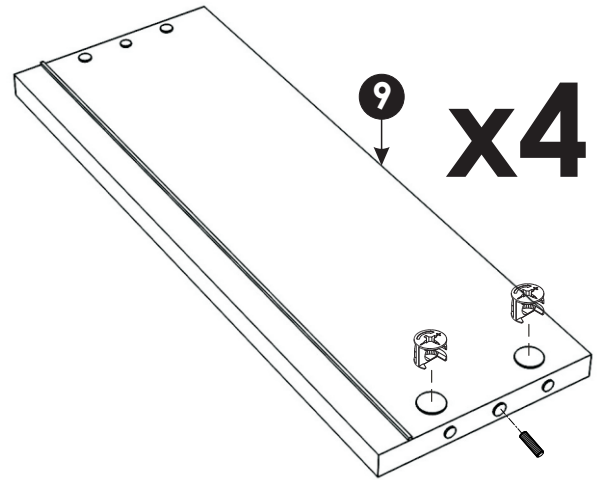
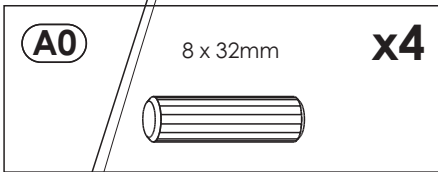
13 ▶



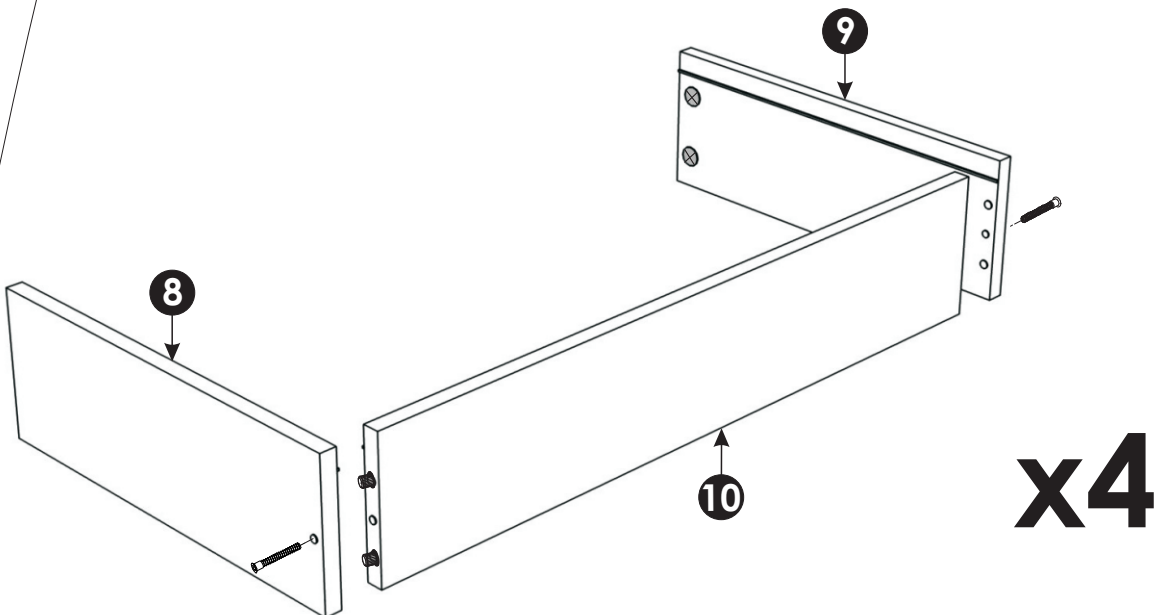
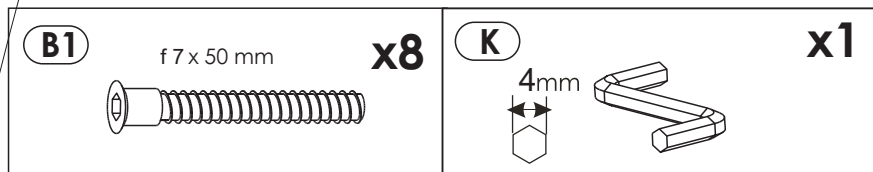
14▶

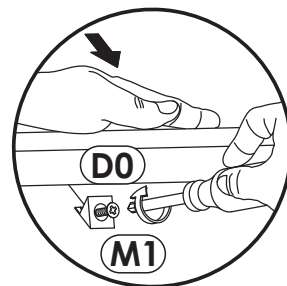
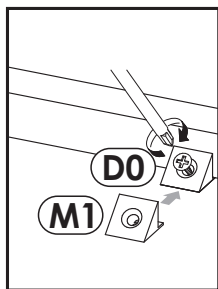
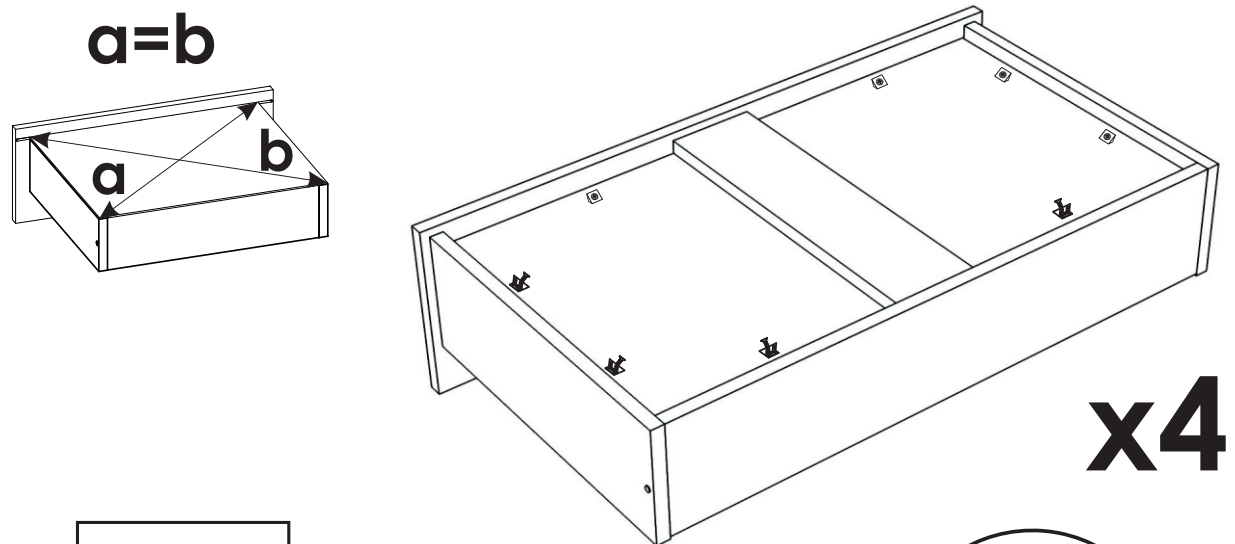
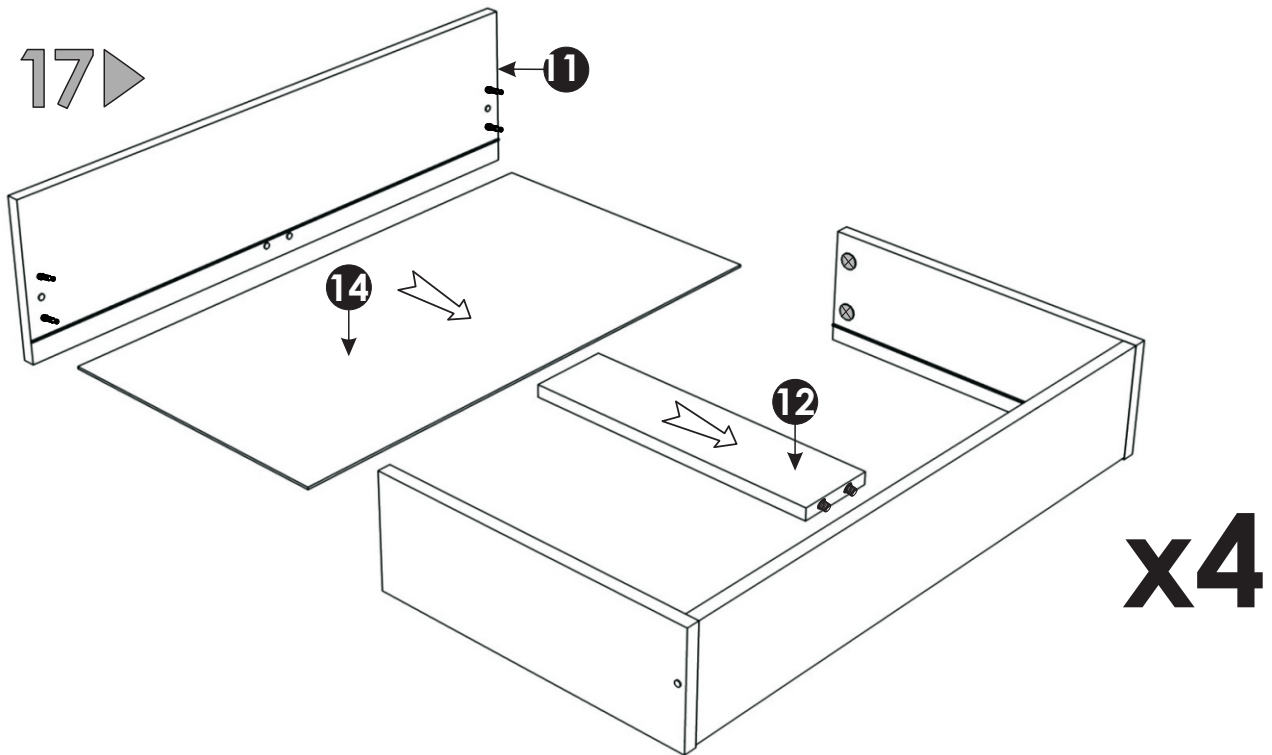


15▶


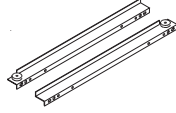


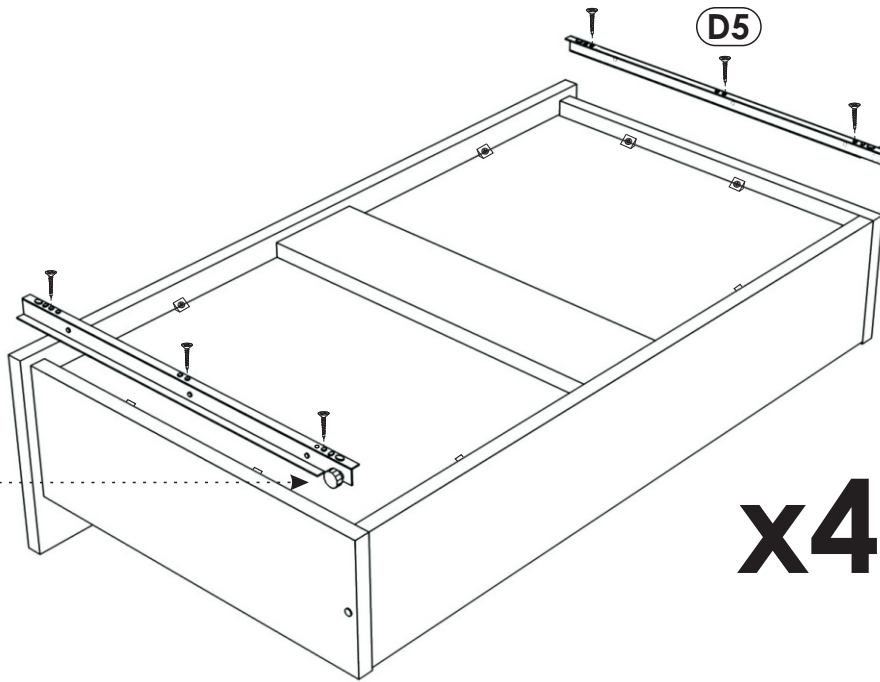
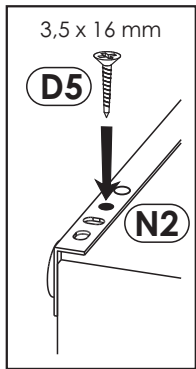
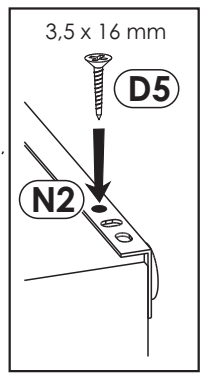
16▶



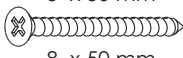


19 ▶

(D5) 3.5 x 16 mm 	x24	(N2) L-400 	x8
---	------------	--	-----------



20 ▶

(E0) 5 x 50 mm 	x1
8 x 50 mm 