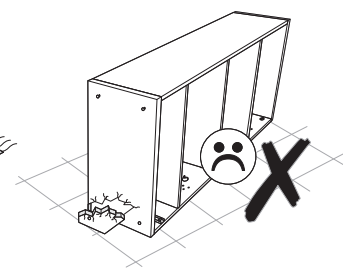
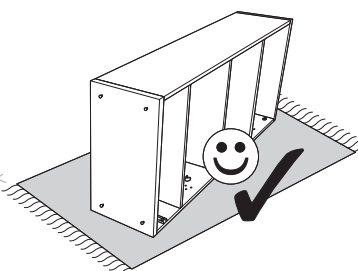
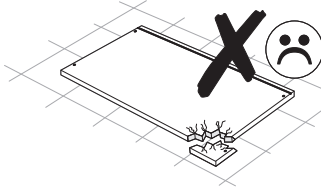
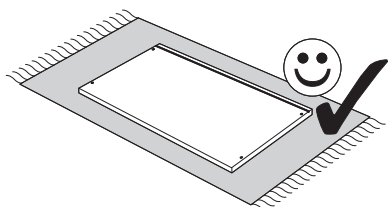
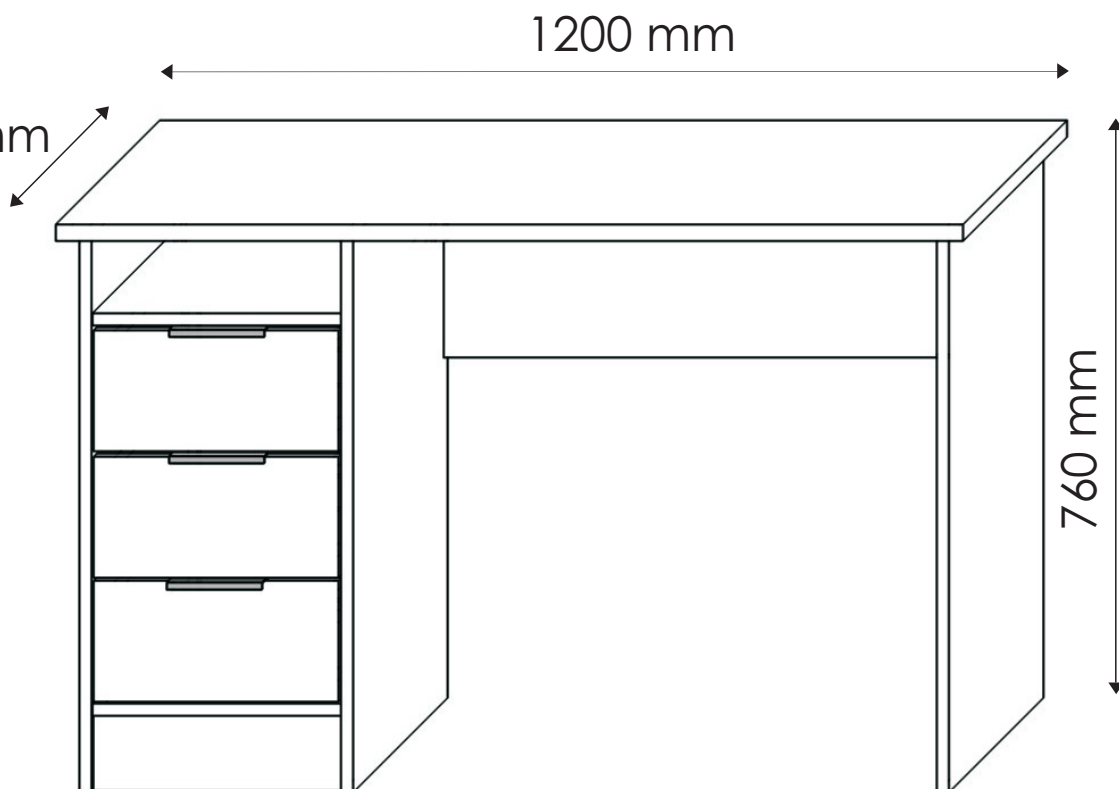
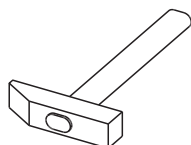
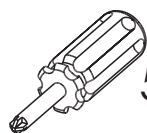
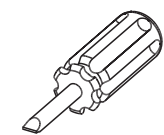
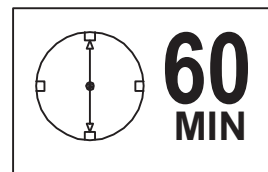
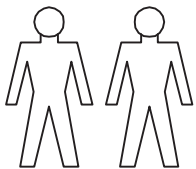

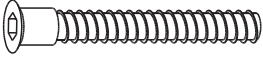







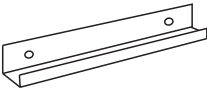

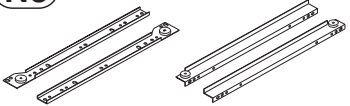
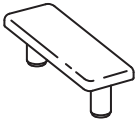
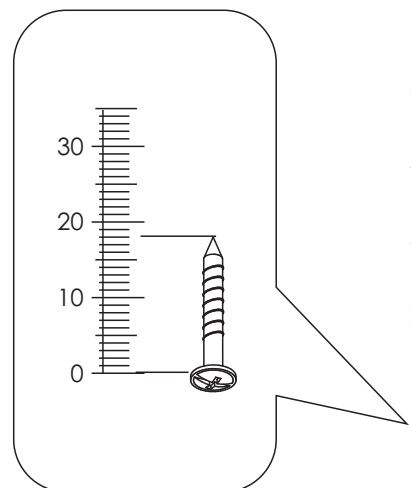
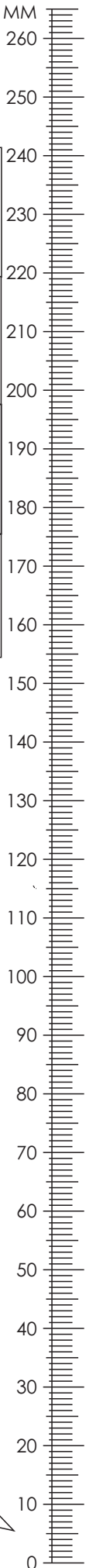


STUDENT - SCHREIBTISCH

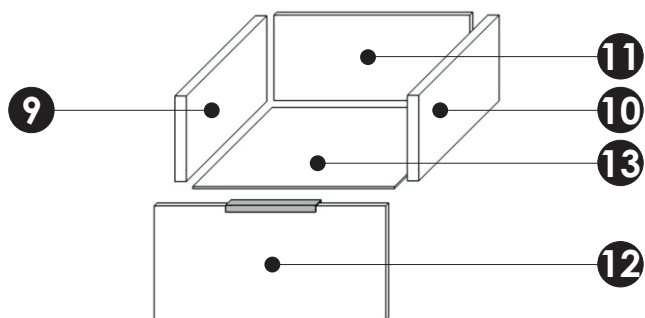
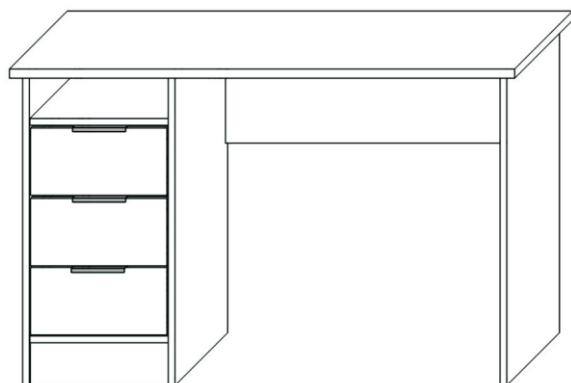


STUDENT - SCHREIBTISCH

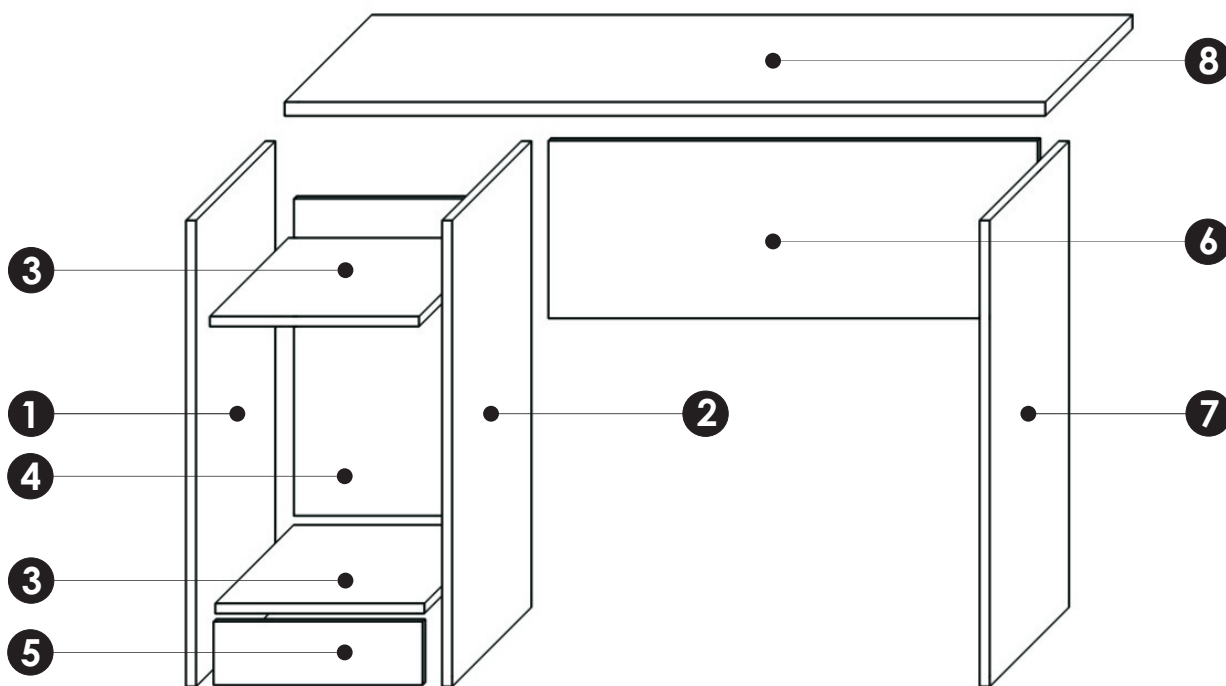
A0 8 x 32mm x42 	B1 f 7 x 50 mm x6 	C0 x22 
C7 x36 16mm 	C2 x36 	D0 3 x 15 mm x18 
D5 3.5 x 16 mm x30 	D21 5 x 13 mm x24 	K x1 4mm 
L3 x3 	M1 x18 	N3 L-450 x3 
T4 x6 		




STUDENT - SCHREIBTISCH

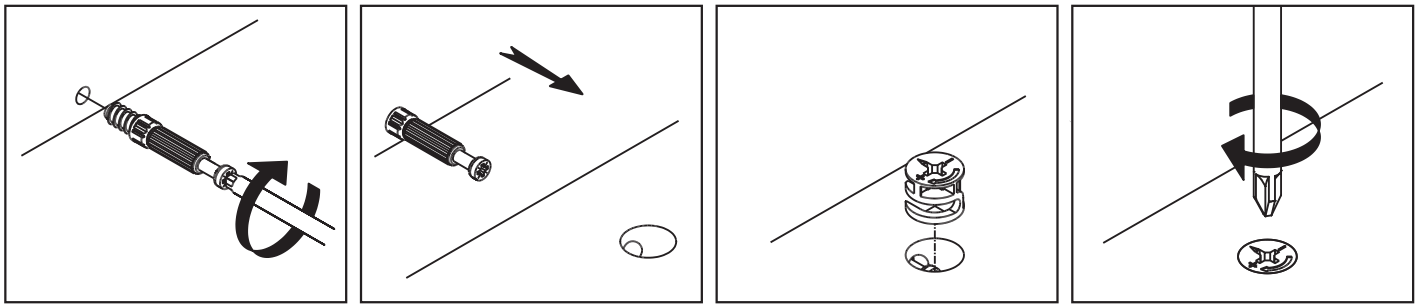







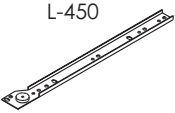
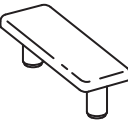
x3

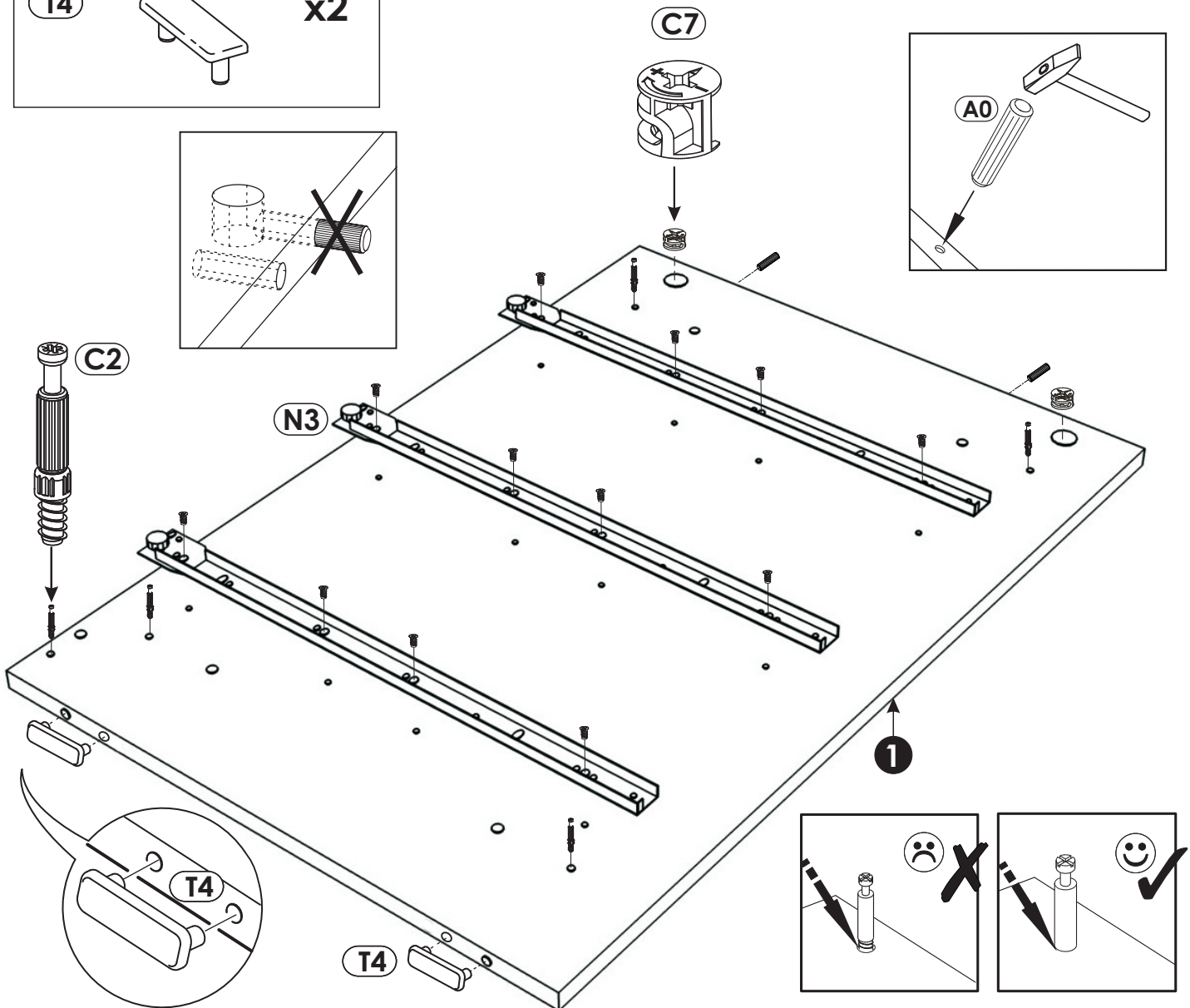


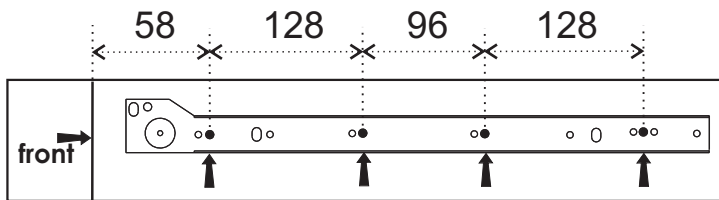
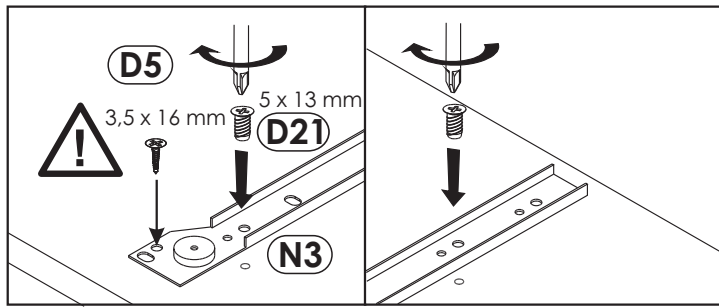
1	735	500	16	x1	1/2
2	735	500	16	x1	2/2
3	495	330	16	x2	2/2
4	500	330	16	x1	1/2
5	330	100	16	x1	1/2
6	772	280	16	x1	1/2
7	735	500	16	x1	2/2

8	1200	550	22	x1	1/2
9	450	120	16	x3	2/2
10	450	120	16	x3	2/2
11	273	115	16	x3	1/2
12	326	160	16	x3	1/2
13	444	282	3	x3	1/2
					1/2






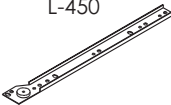



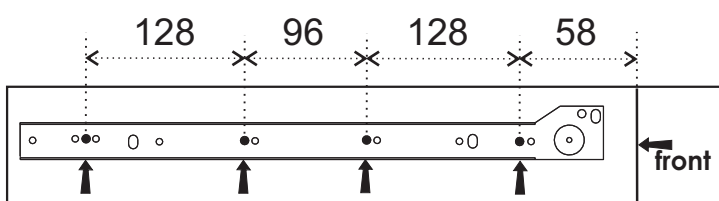
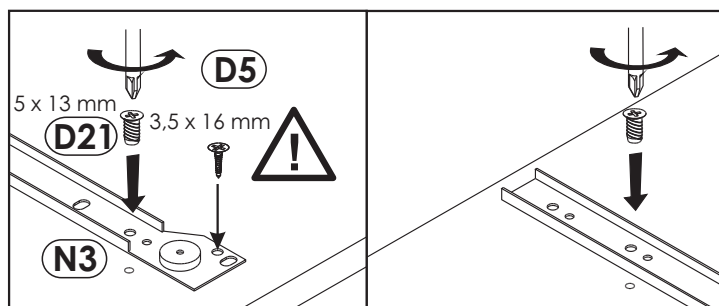
A0 8 x 32mm 	x2	C7 16mm 	x2	C2 	x5
D5 3.5 x 16 mm 	x3	D21 5 x 13 mm 	x12	N3 L-450 	x3
T4 	x2				

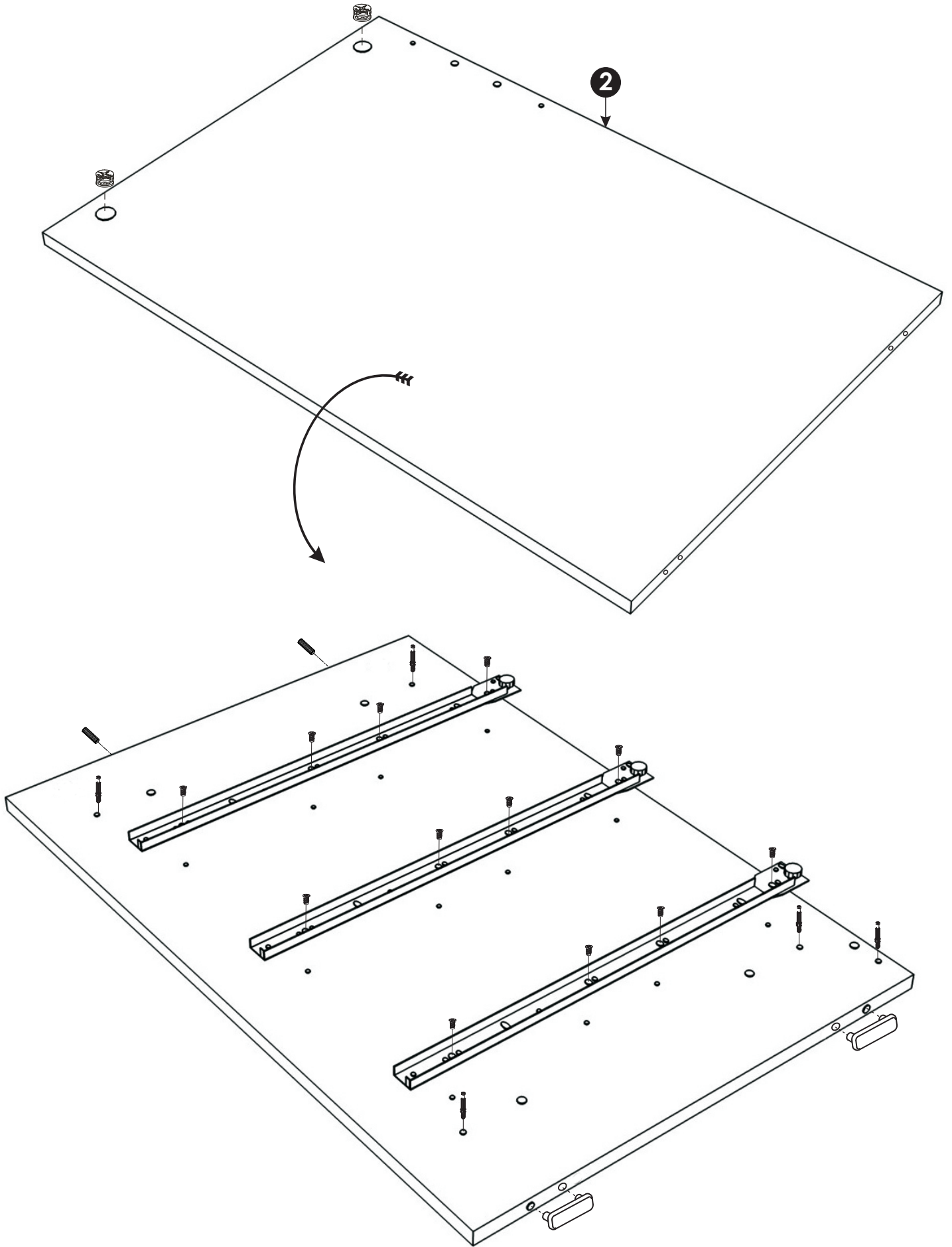






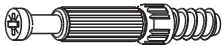
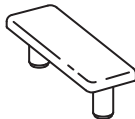
2 ▶

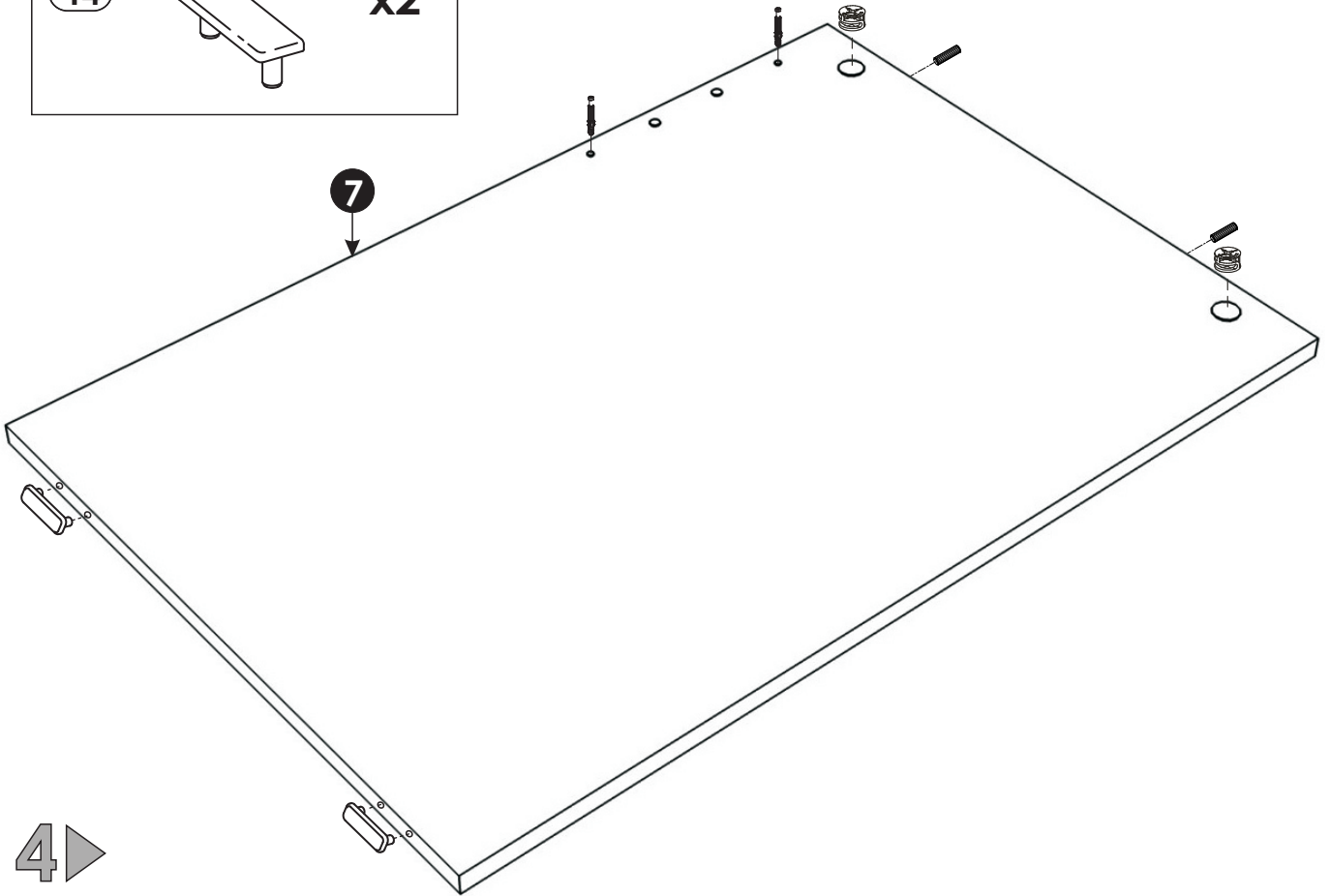
<p>A0 8 x 32mm x2</p> 	<p>C7 16mm x2</p> 	<p>C2 x5</p> 
<p>D5 3.5 x 16 mm x3</p> 	<p>D21 5 x 13 mm x12</p> 	<p>N3 L-450 x3</p> 
<p>T4 x2</p> 		







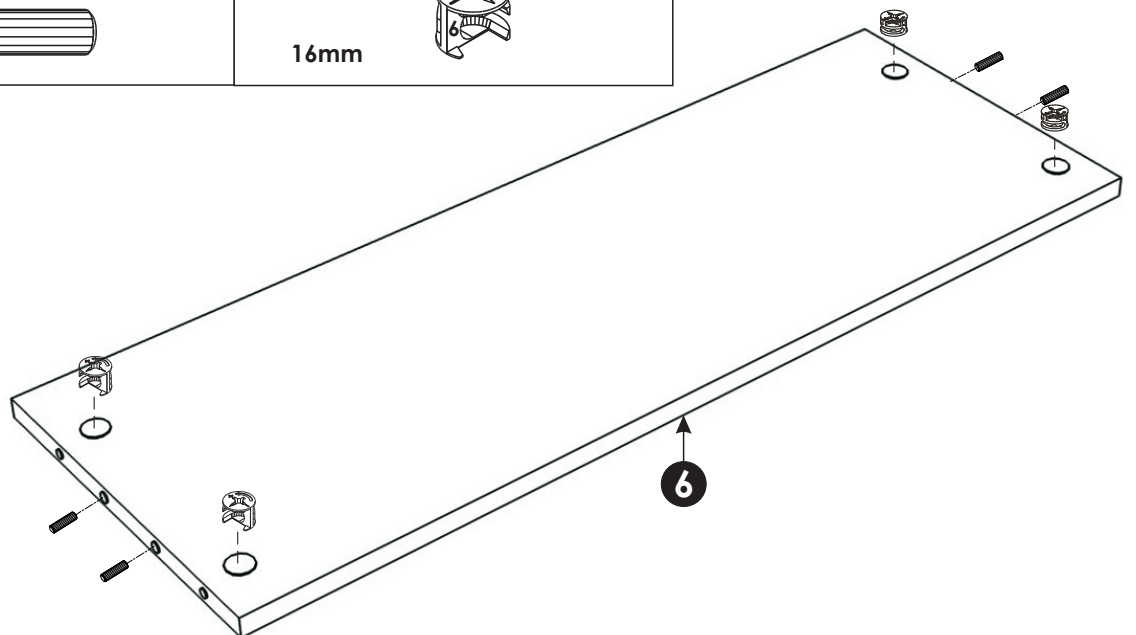
3 ▶

A0 8 x 32mm 	x2	C7 16mm 	x2	C2 	x2
T4 	x2				





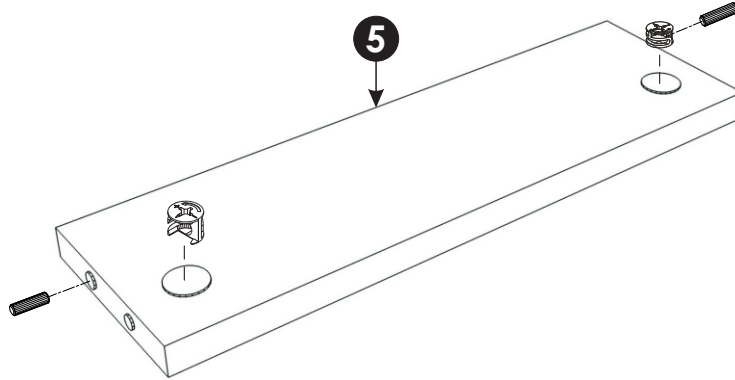
4 ▶

A0 8 x 32mm 	x4	C7 16mm 	x4
--	-----------	--	-----------




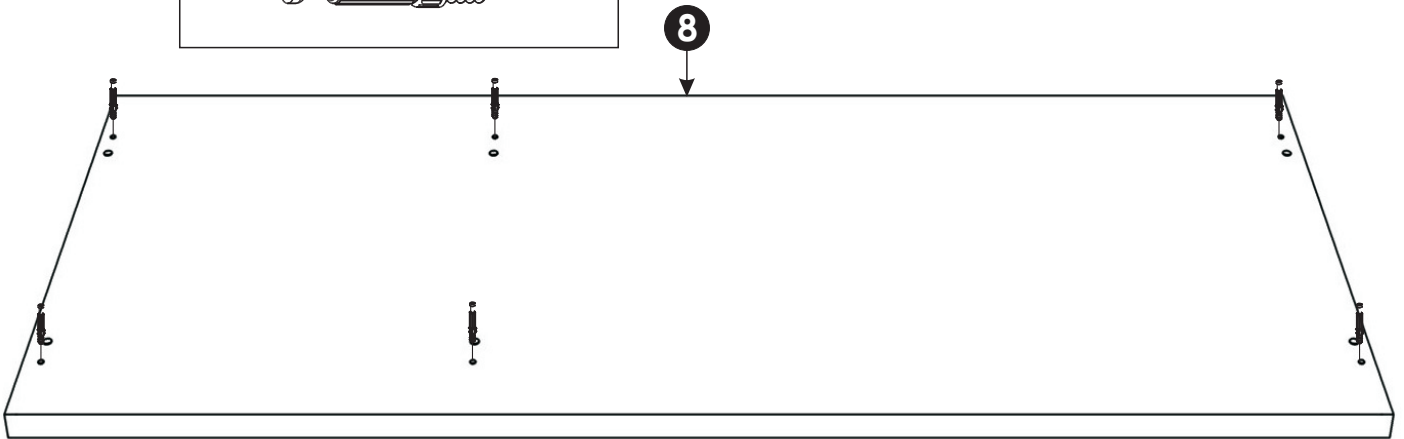
5 ▶

A0	8 x 32mm	x2	C7		x2
			16mm		





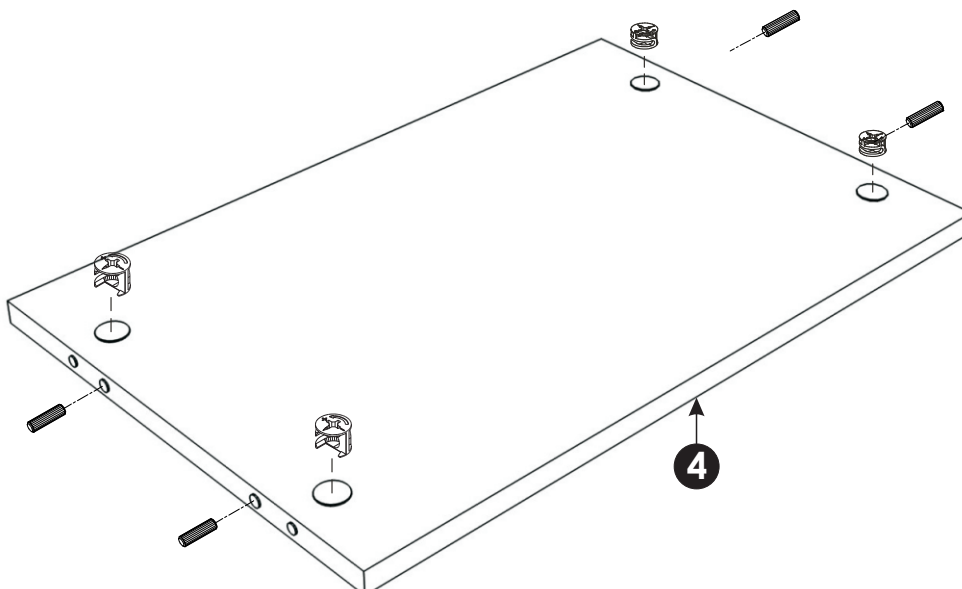
6 ▶

C2		x6
		


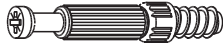



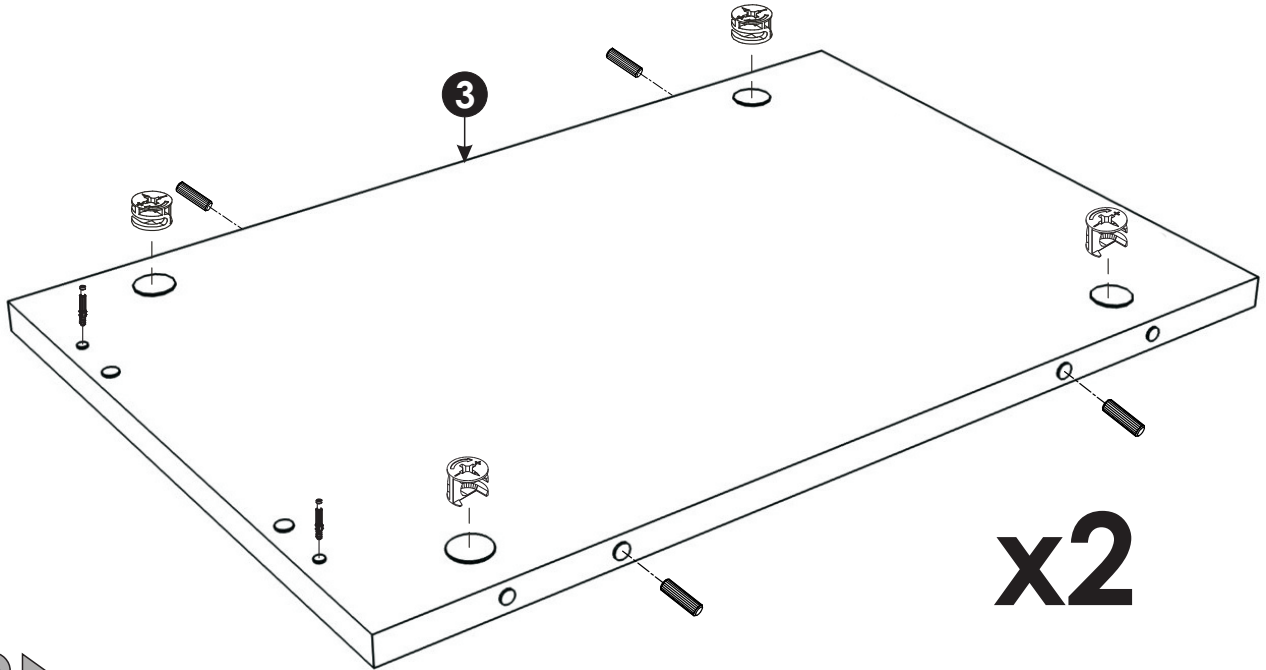
7 ▶

A0	8 x 32mm	x4	C7		x4
			16mm		

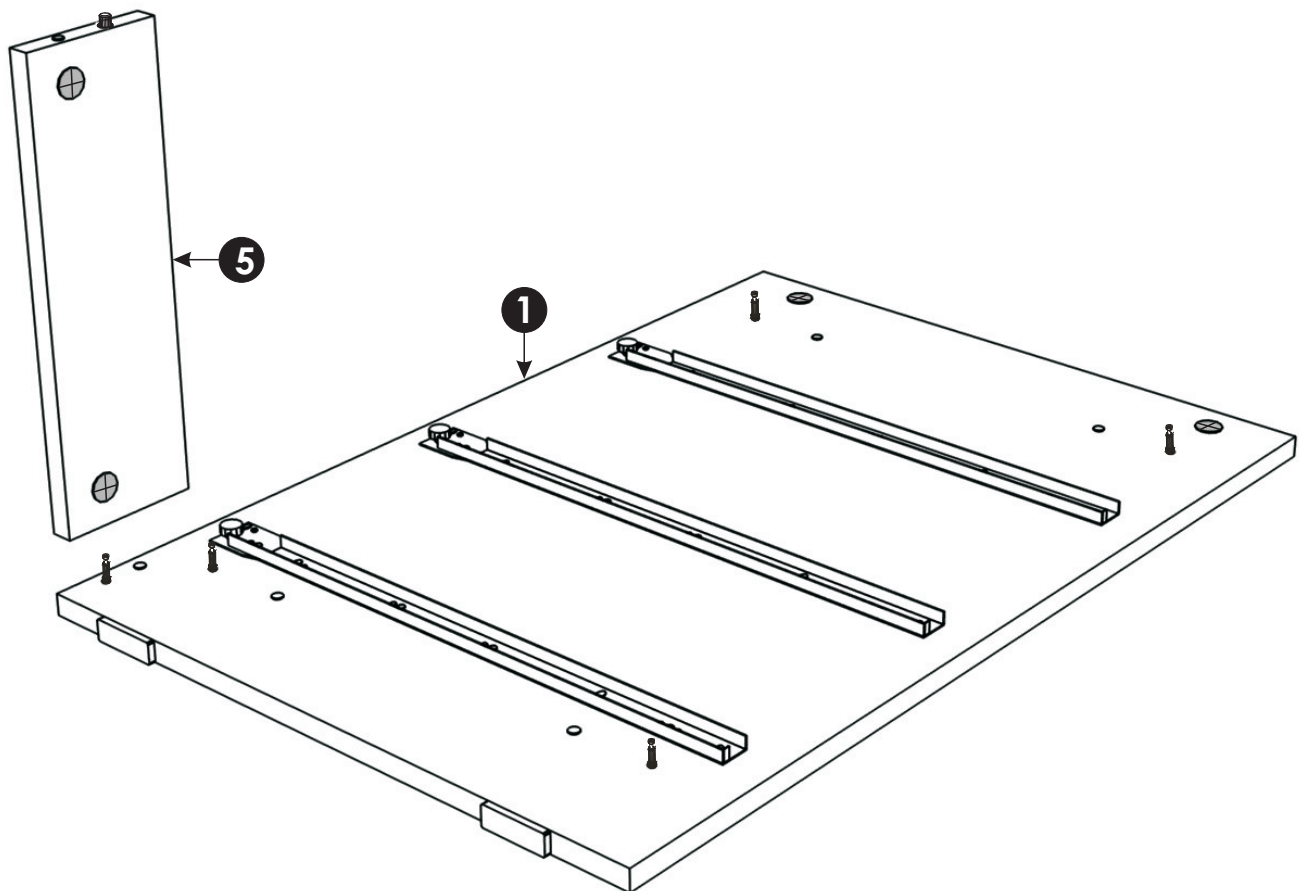


8 ▶

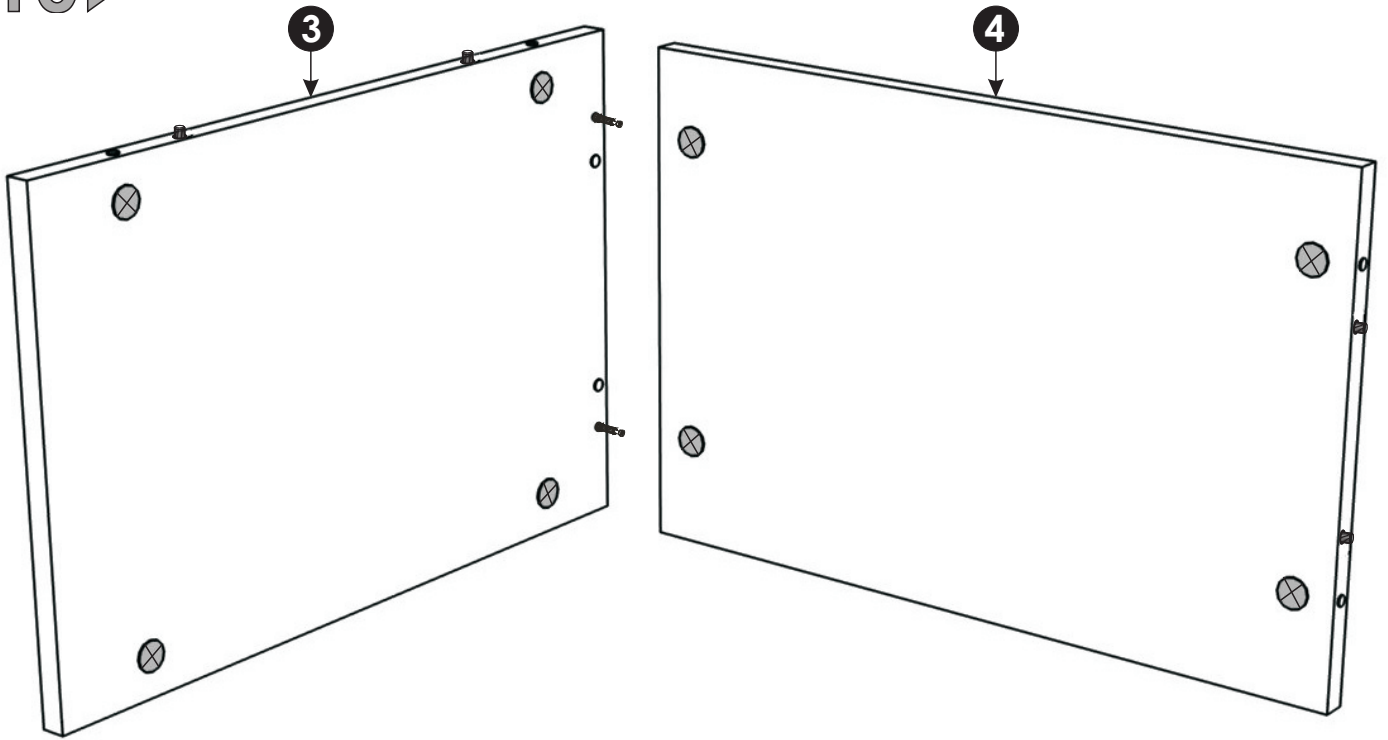
<p>(A0) 8 x 32mm x4</p> 	<p>(C2) x2</p> 	<p>(C7) x4</p> <p>16mm</p> 
---	--	--



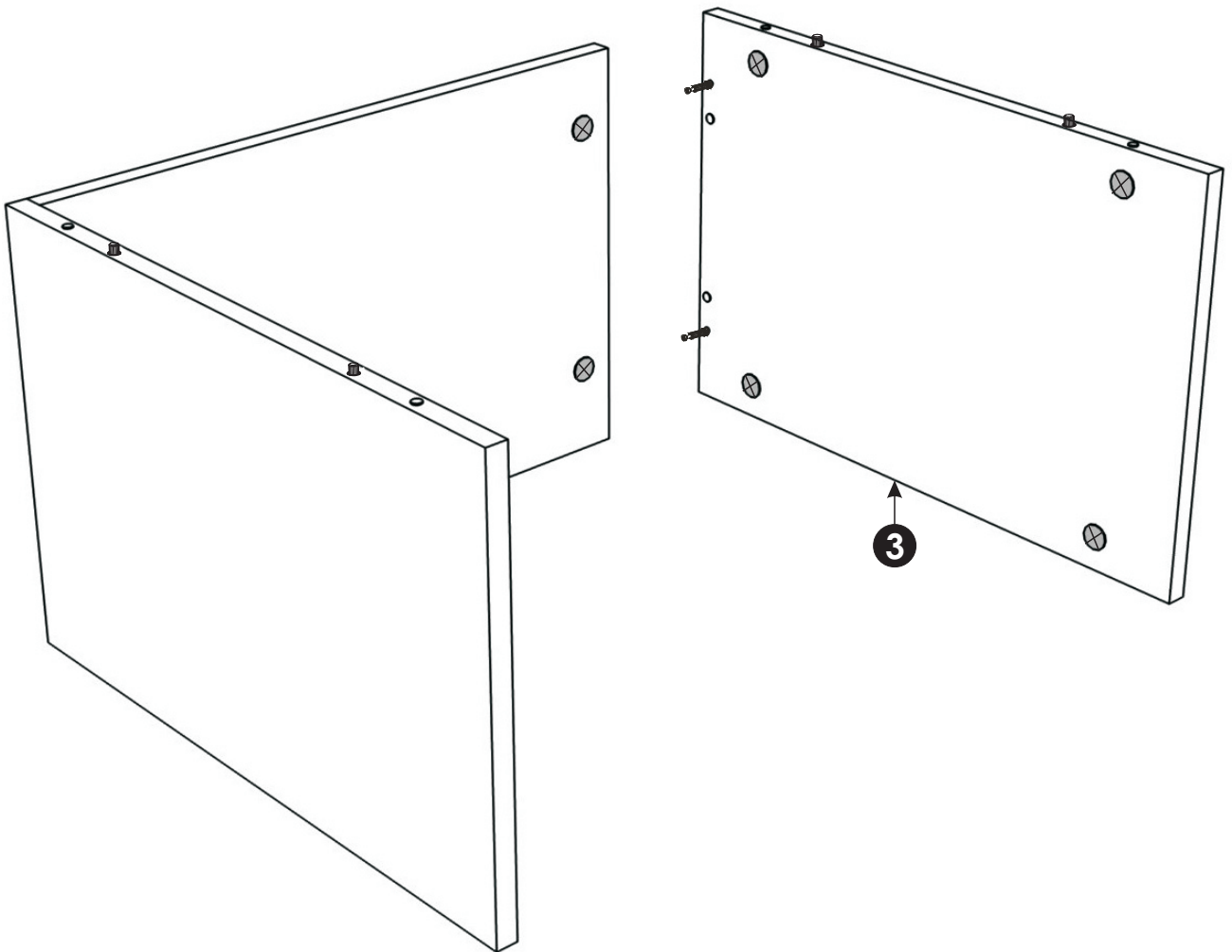
9 ▶



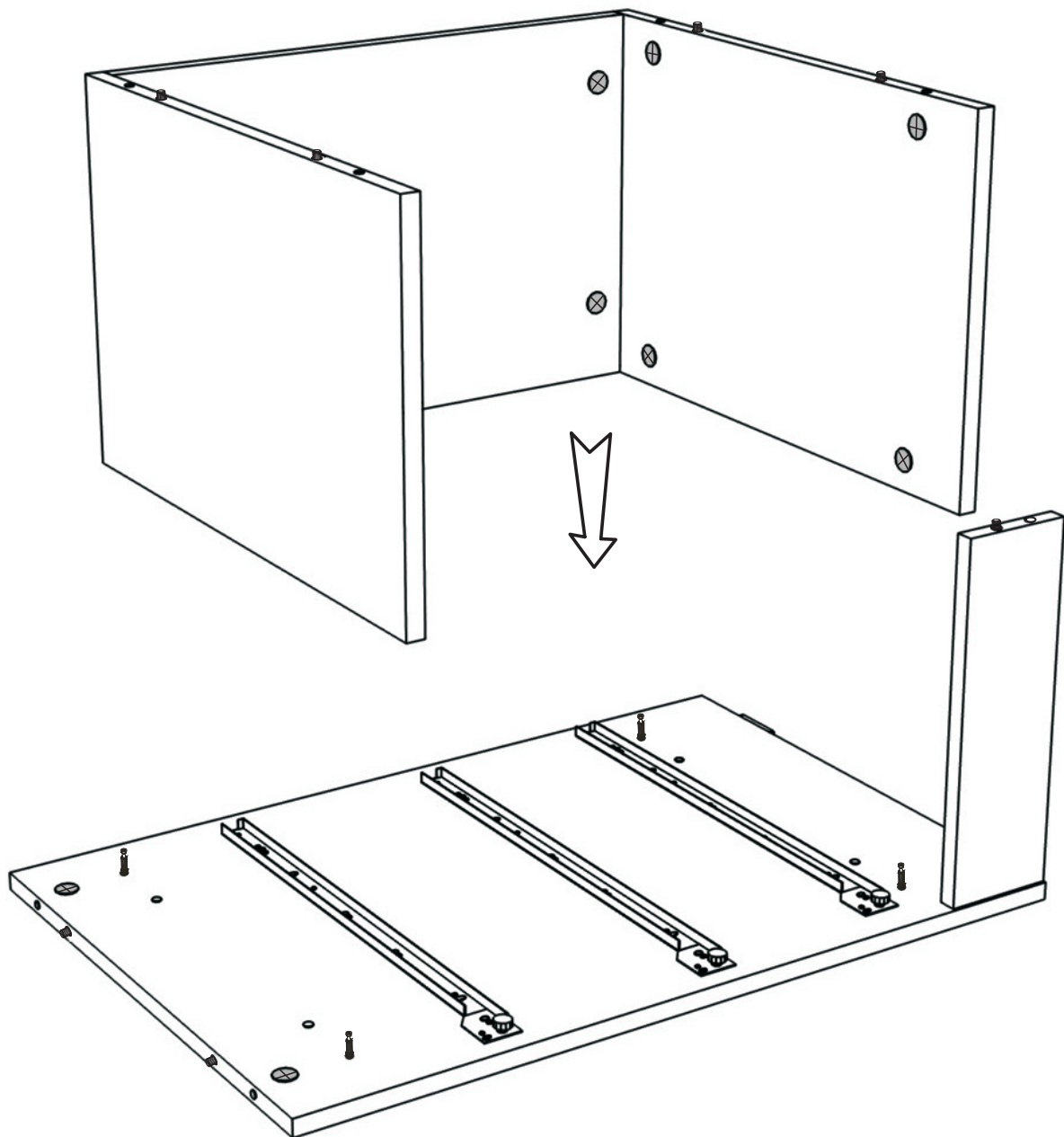
10 ▶



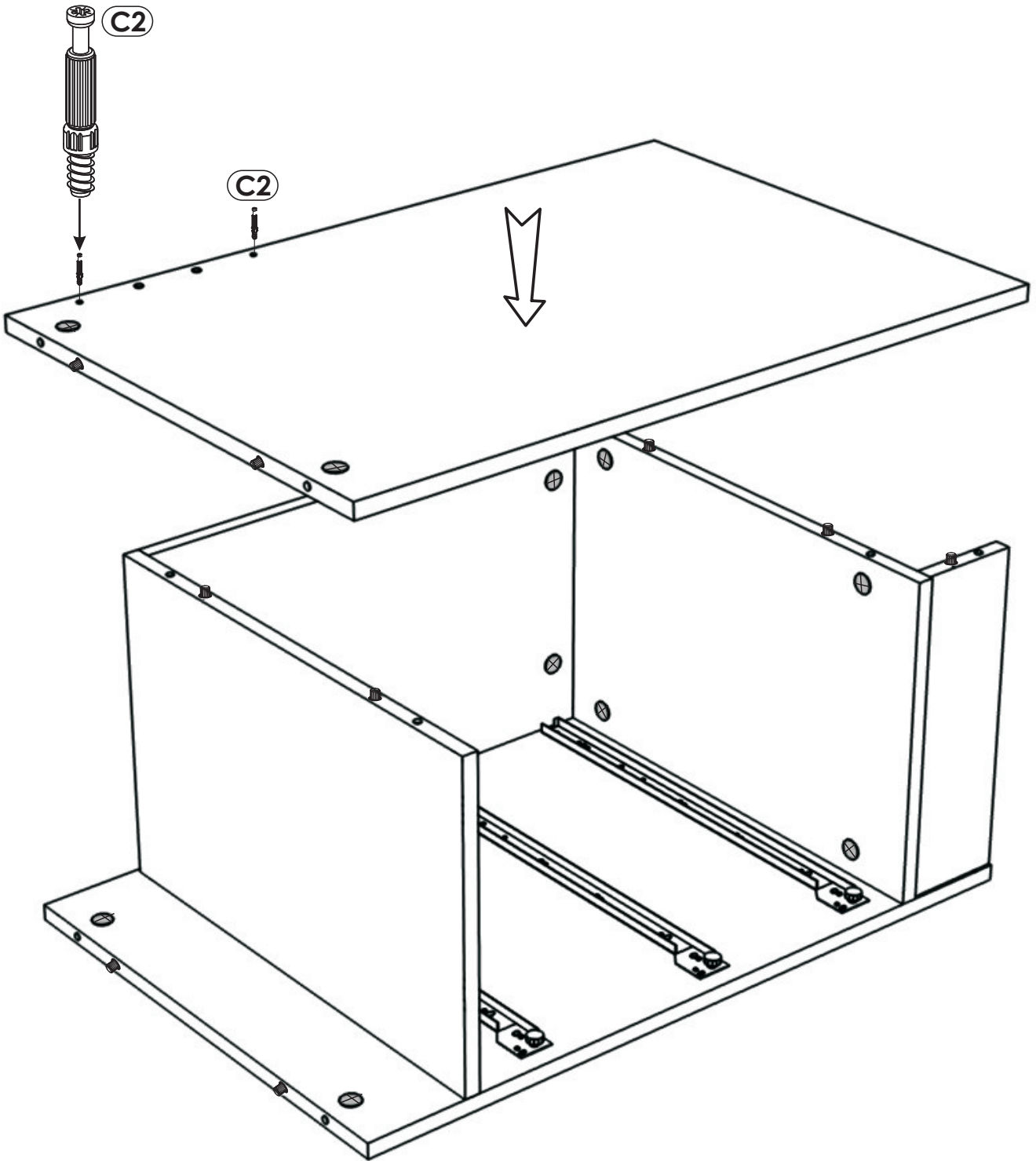
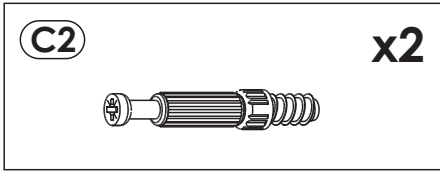
11 ▶



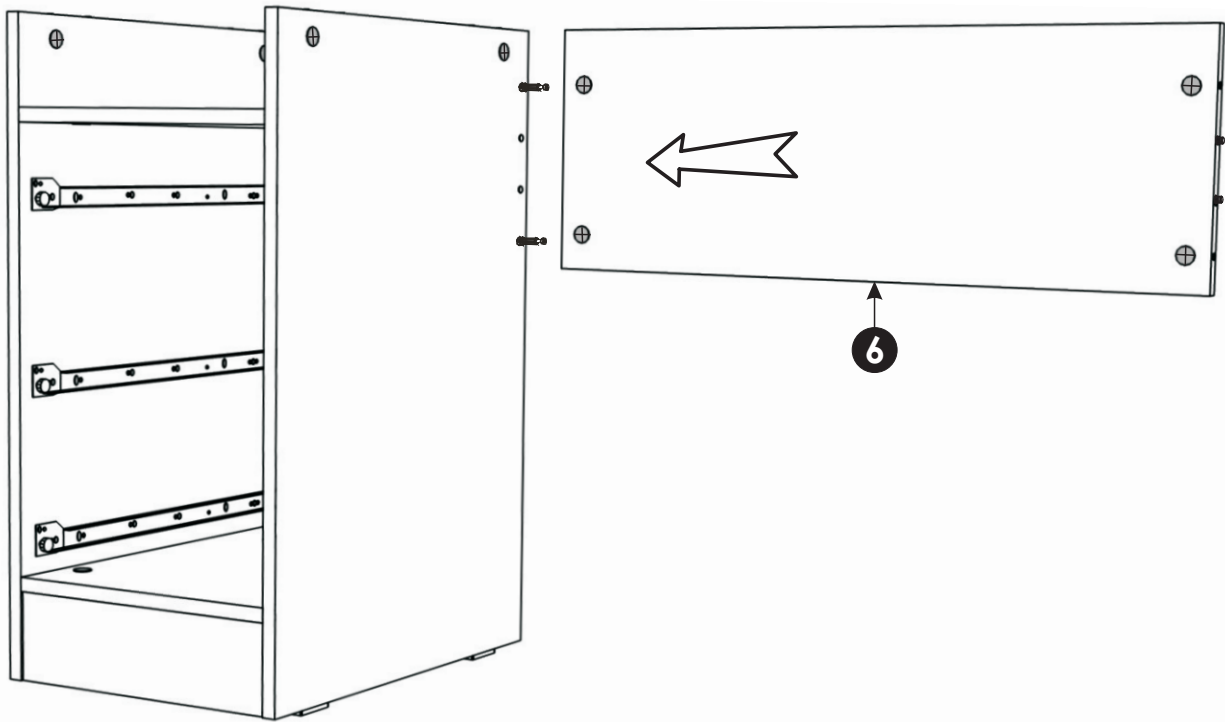
12▶



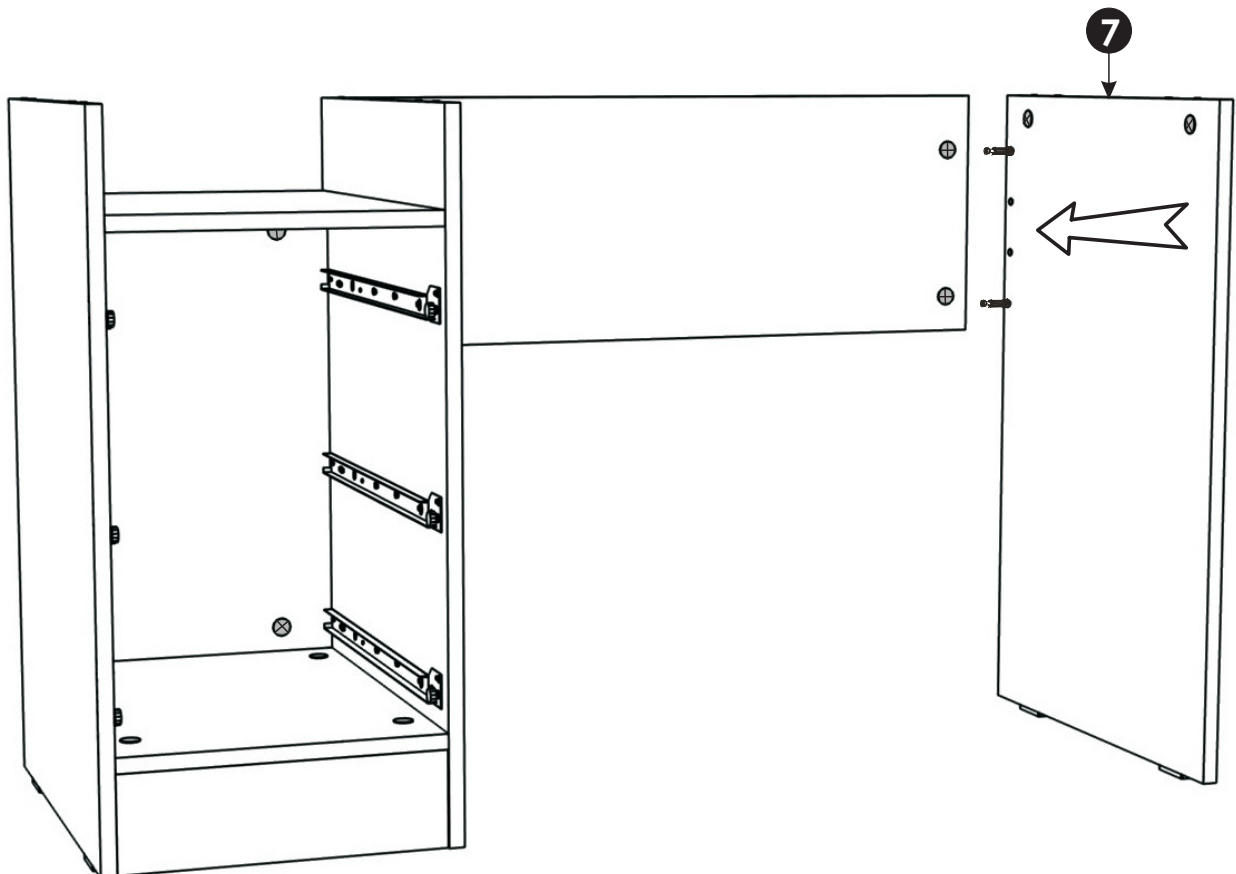
13 ▶



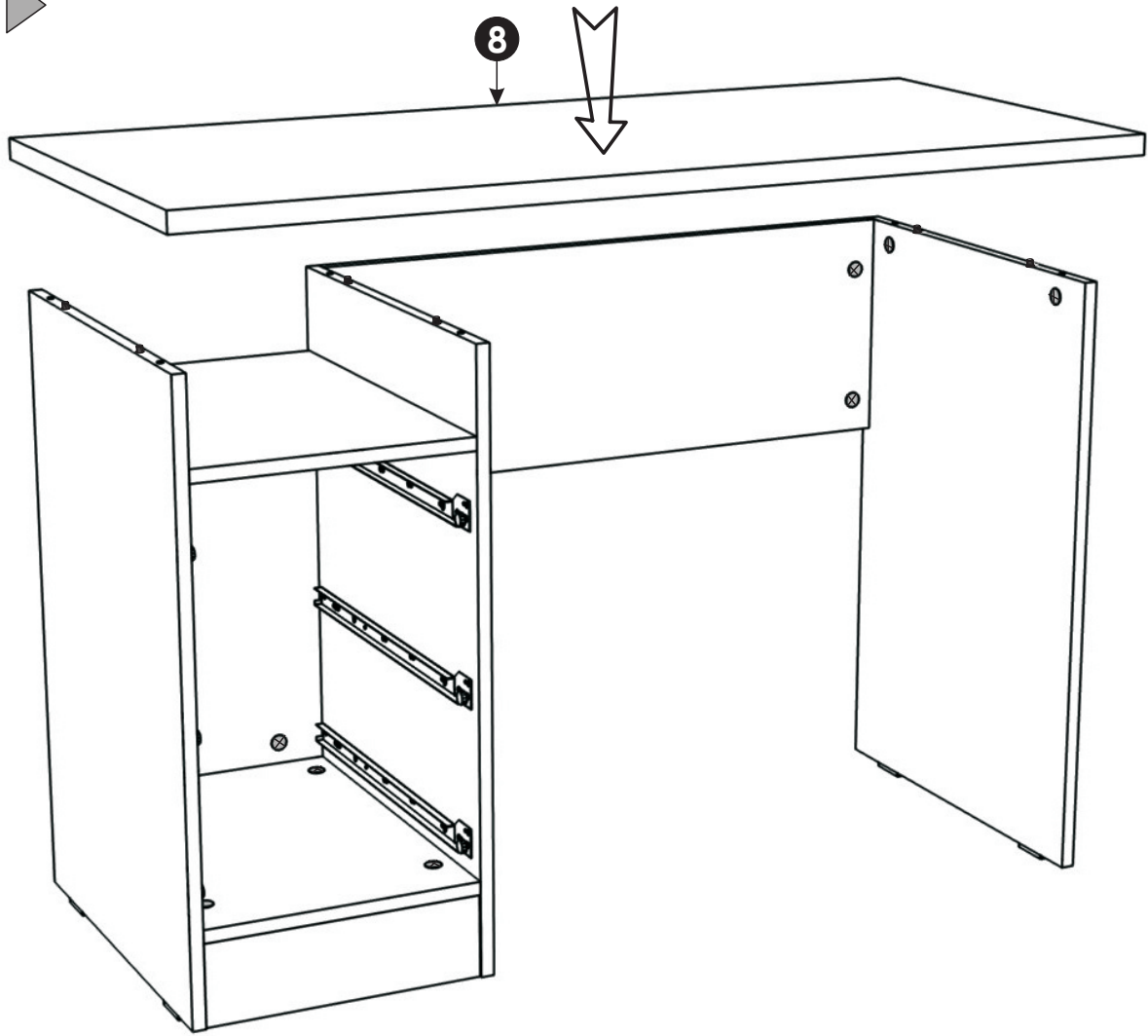
14▶



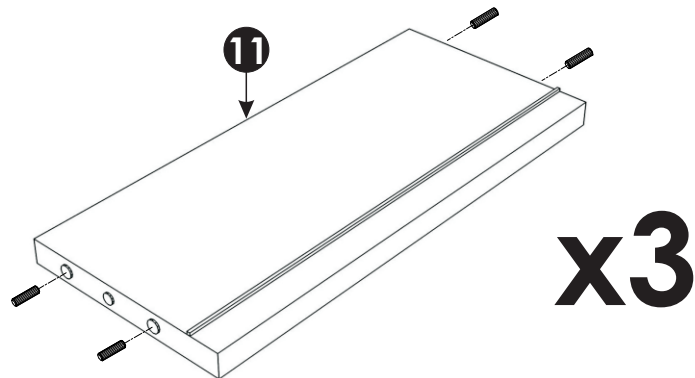
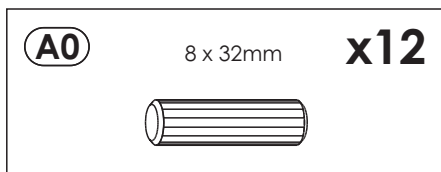
15▶



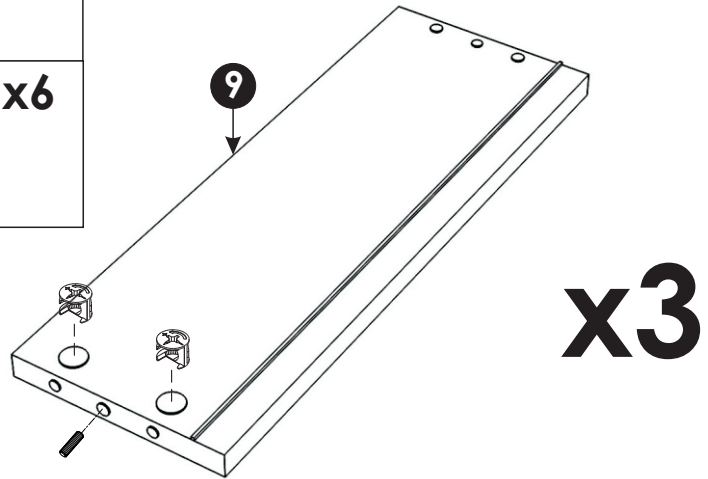
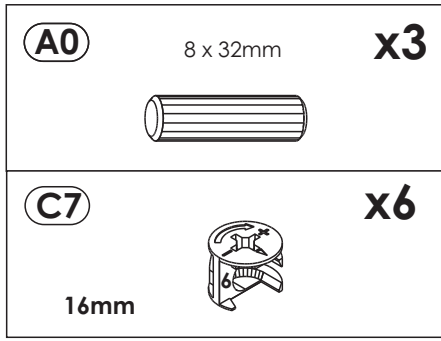
16▶



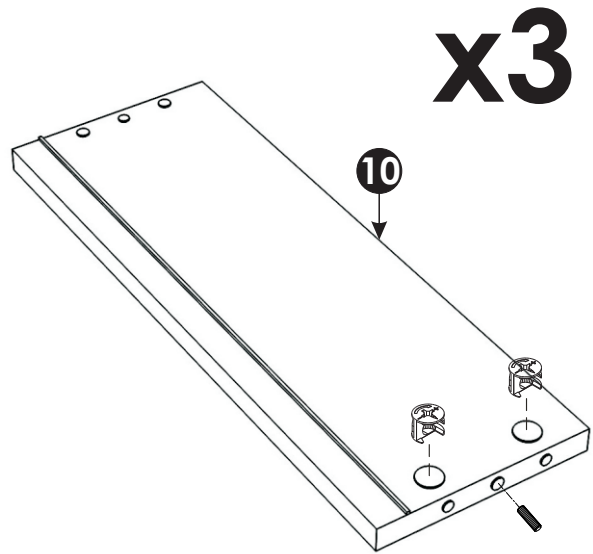
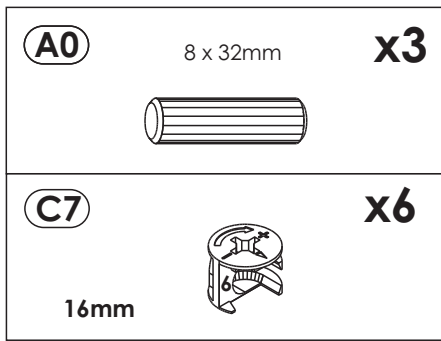
17▶



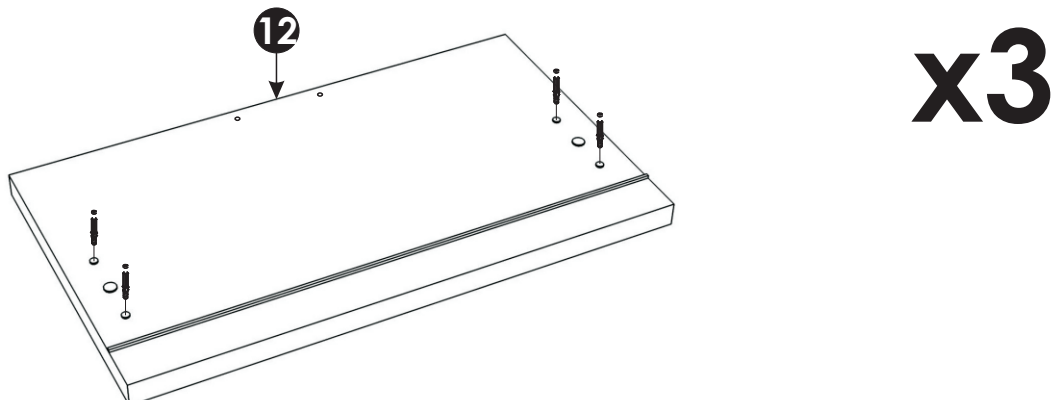
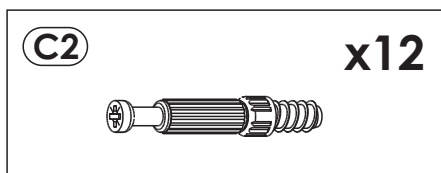
18▶



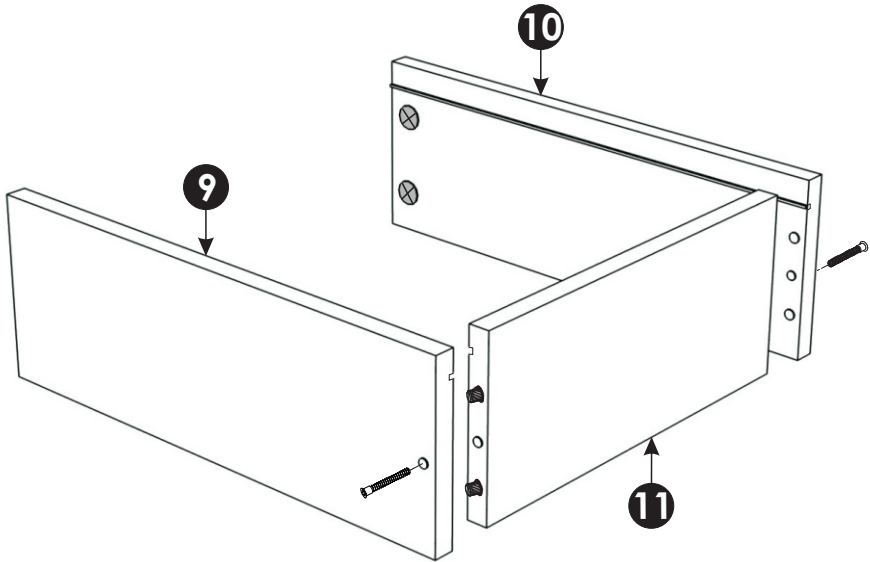
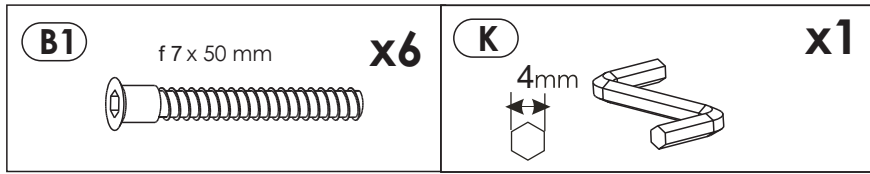
19▶



20▶

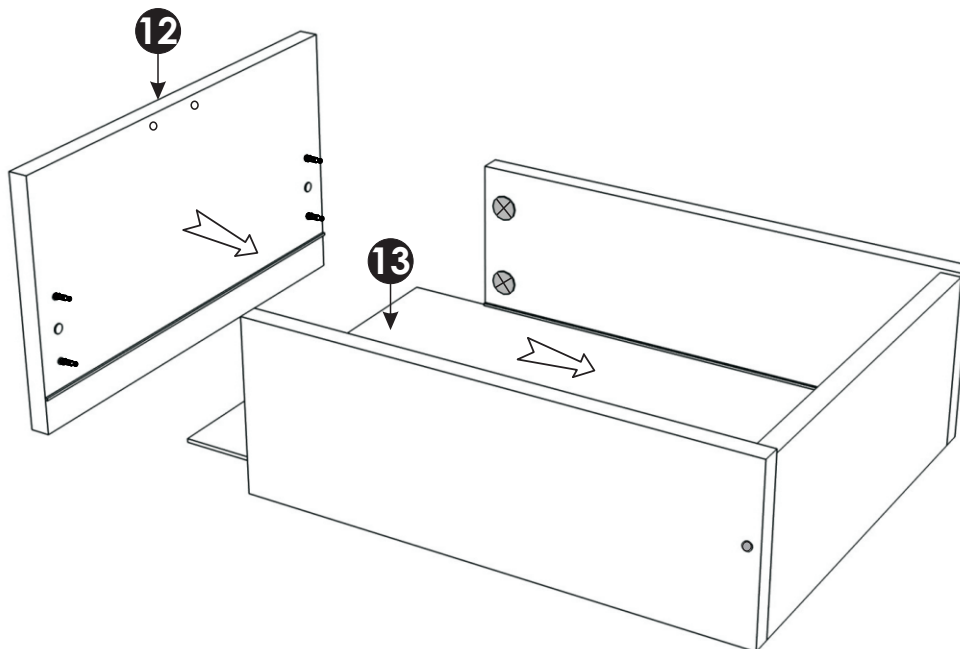


21 ▶




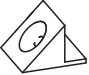
x3

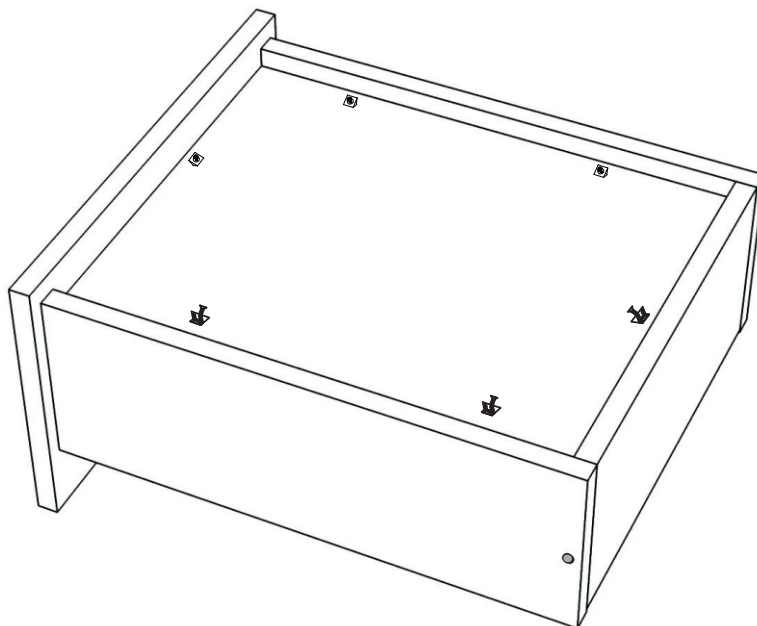
22 ▶



x3

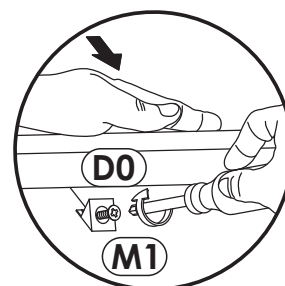
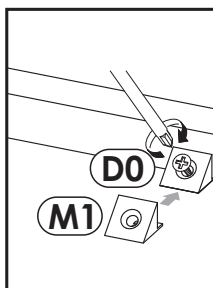
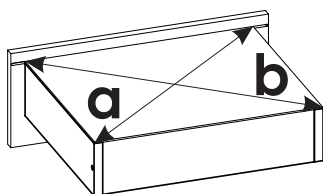
23▶

(D0) 3 x 15 mm 	x18	(M1) 	x18
---	------------	---	------------


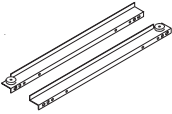


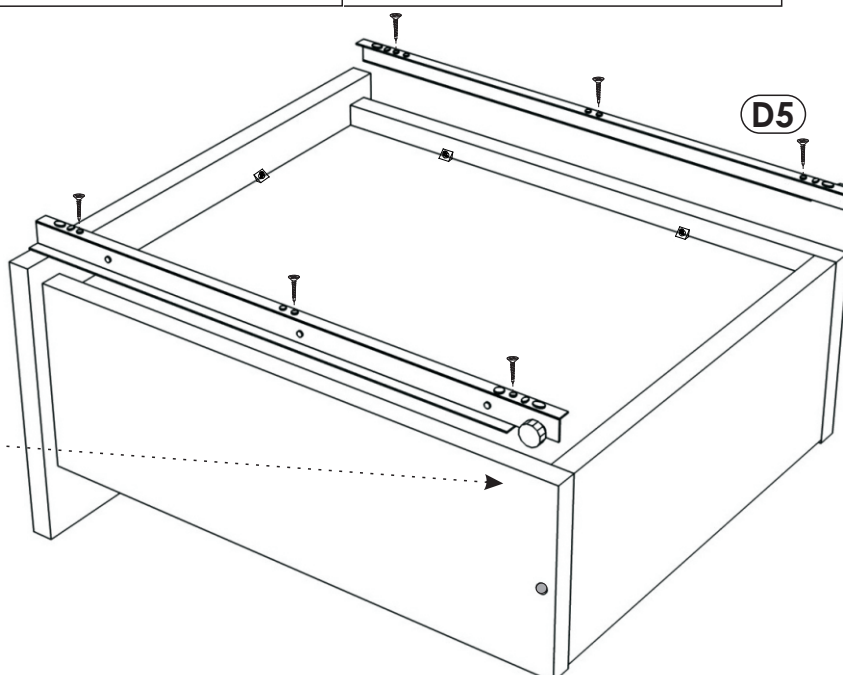
x3

a=b

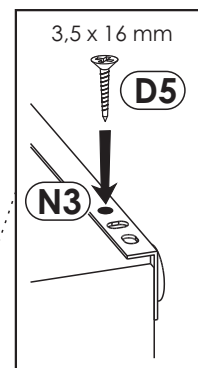
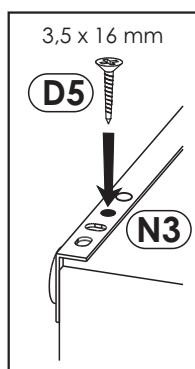


24▶

(D5) 3.5 x 16 mm 	x18	(N3) L-450 	x6
---	------------	--	-----------

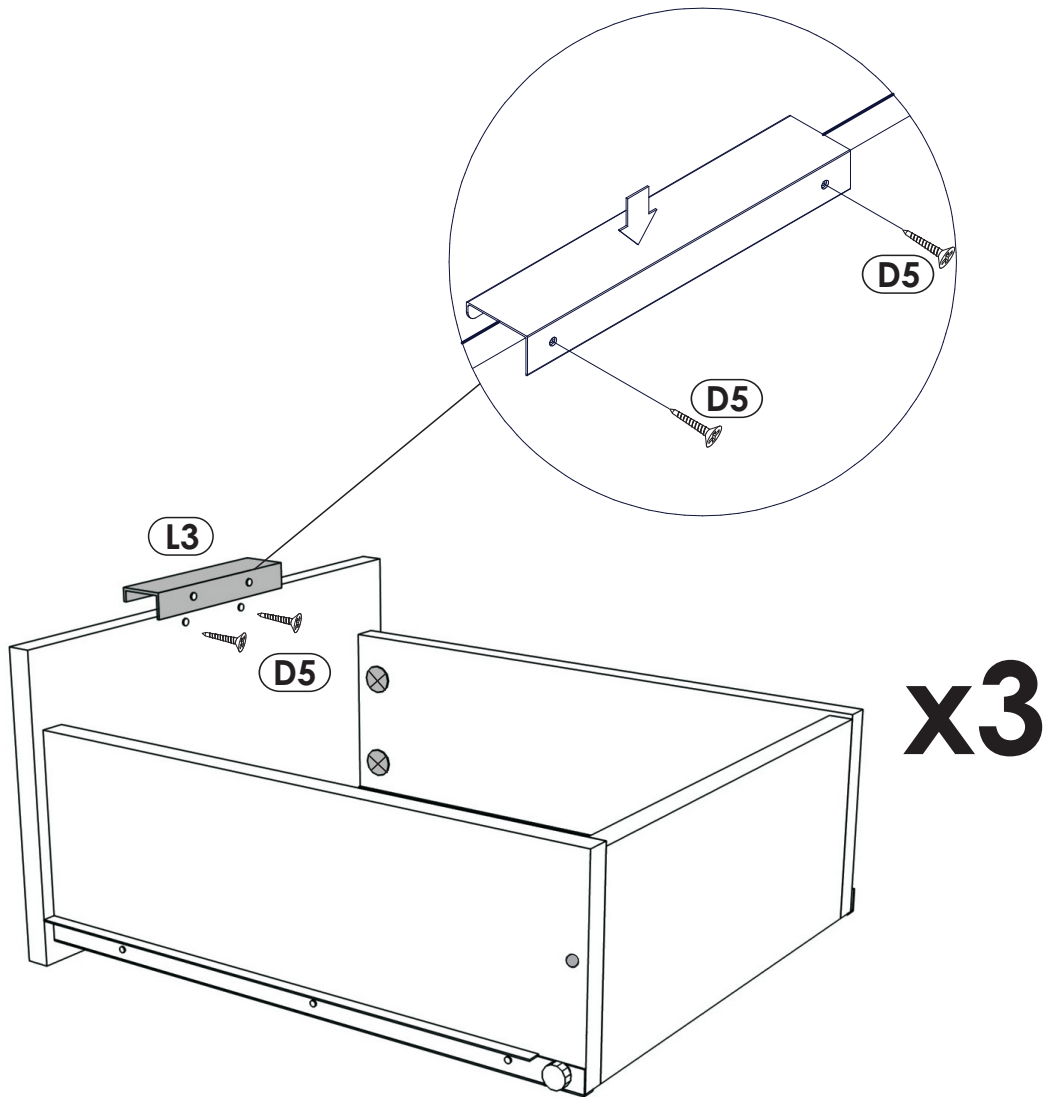


x3



25▶

D5	3.5 x 16 mm	x6	L3		x3
-----------	-------------	-----------	-----------	--	-----------



26 ▶

