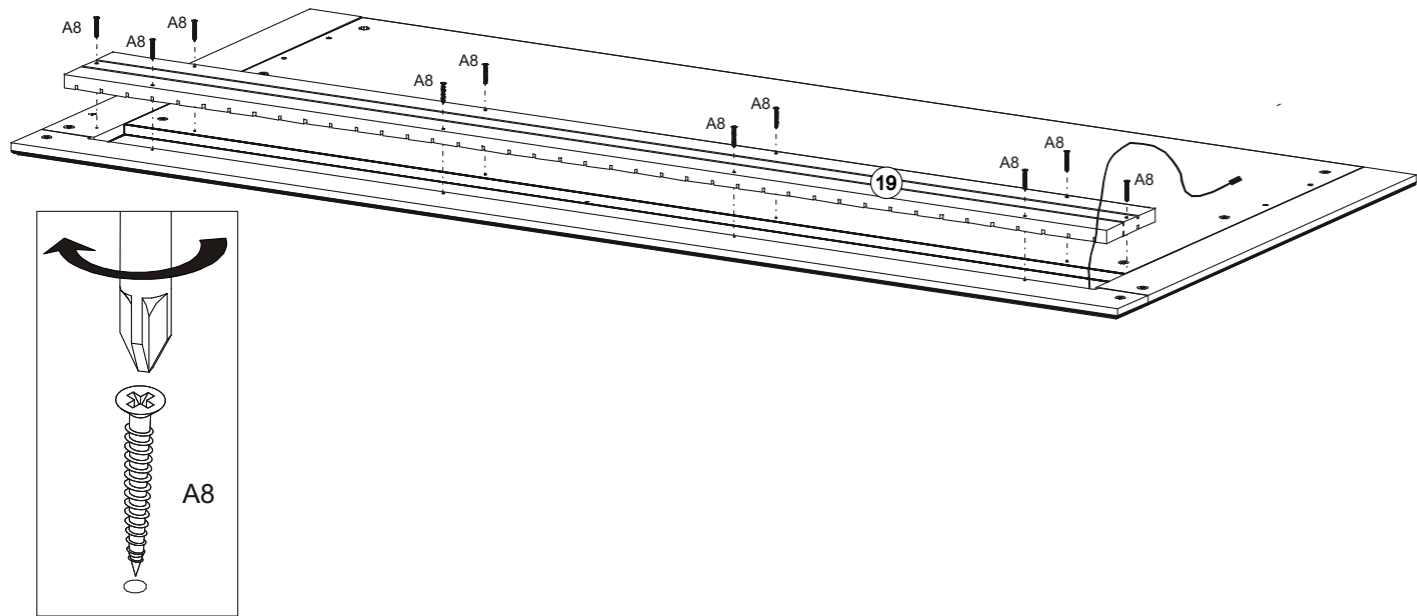
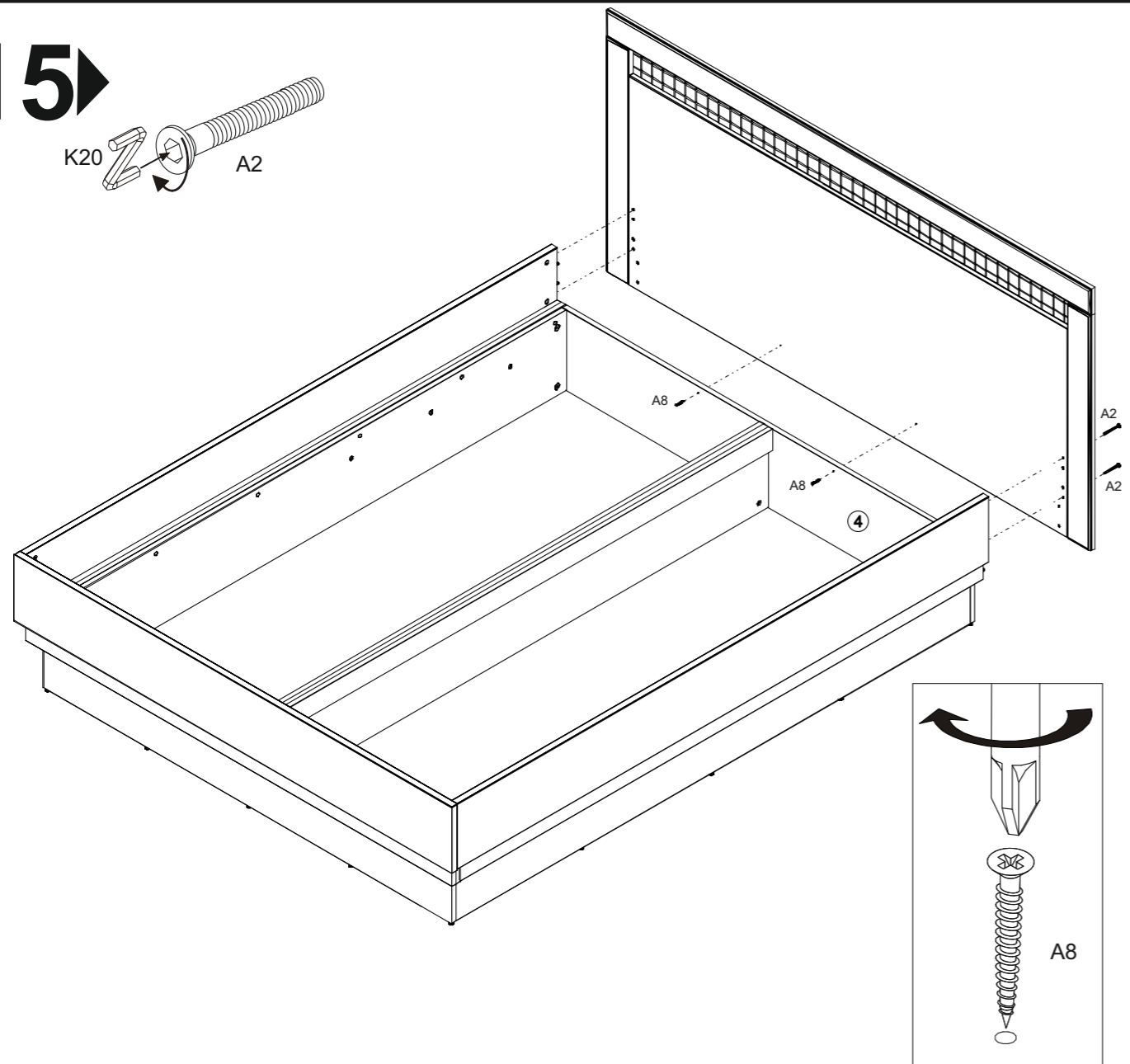


# 14

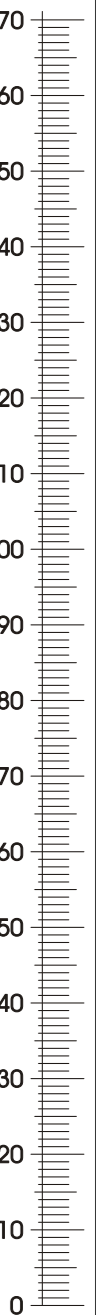
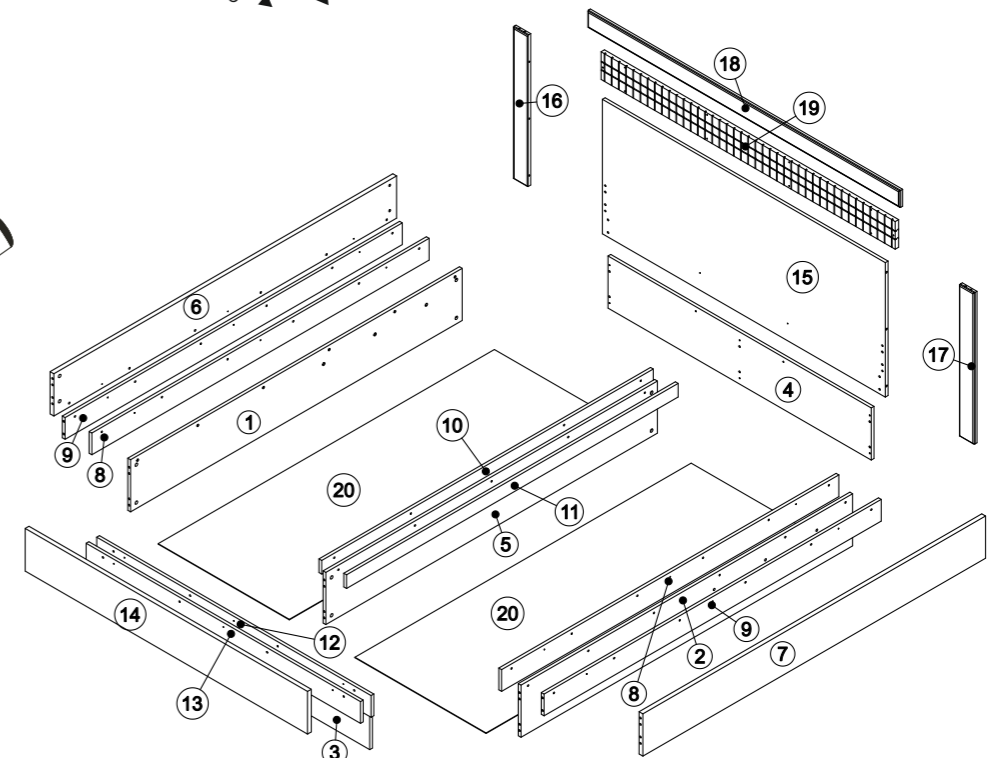
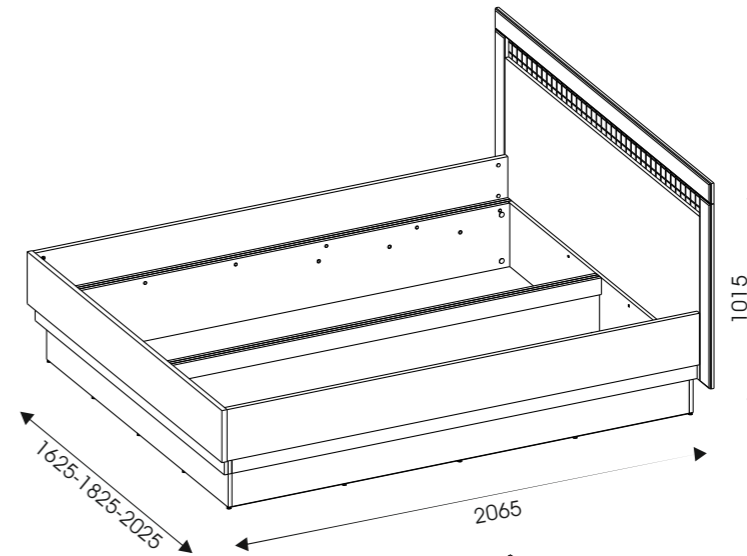
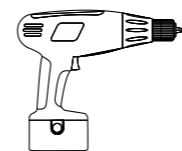
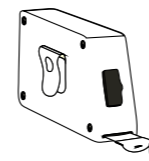
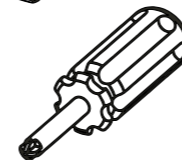
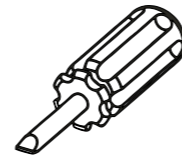


# 15



1010

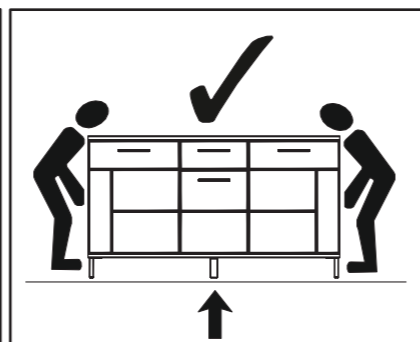
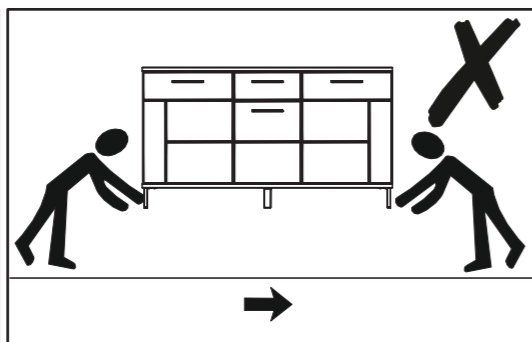
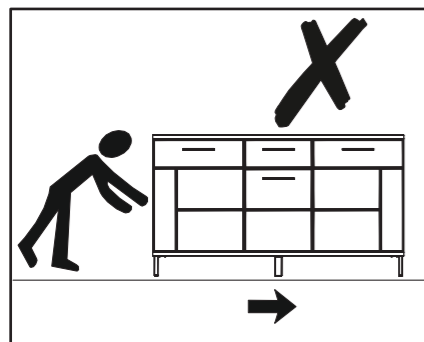
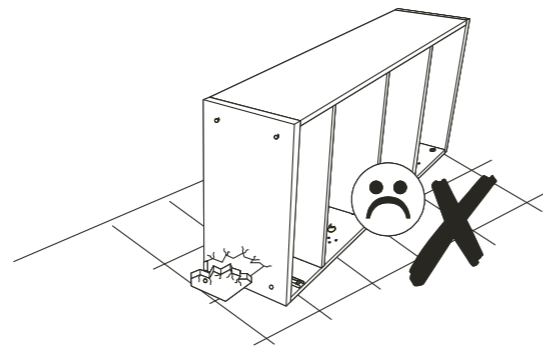
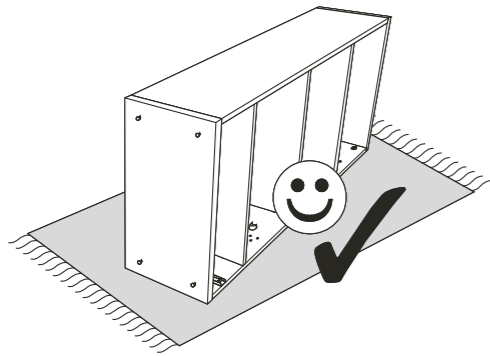
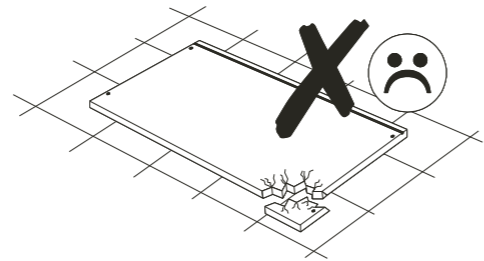
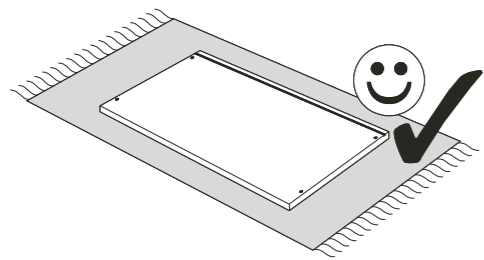
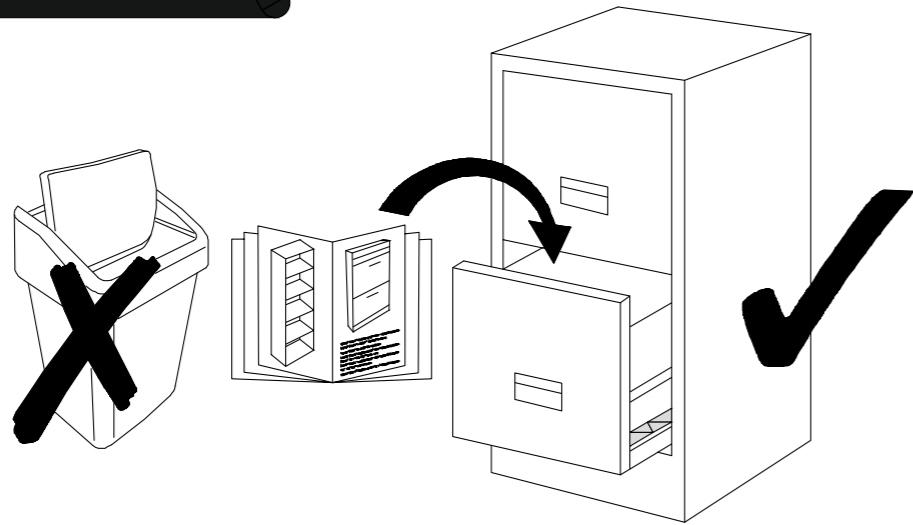
## MODELL: DN14/140/160/180



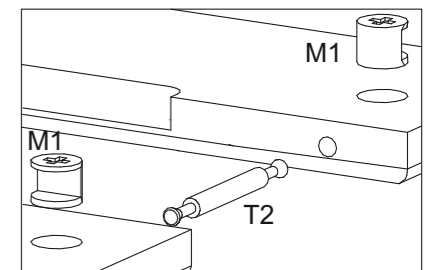
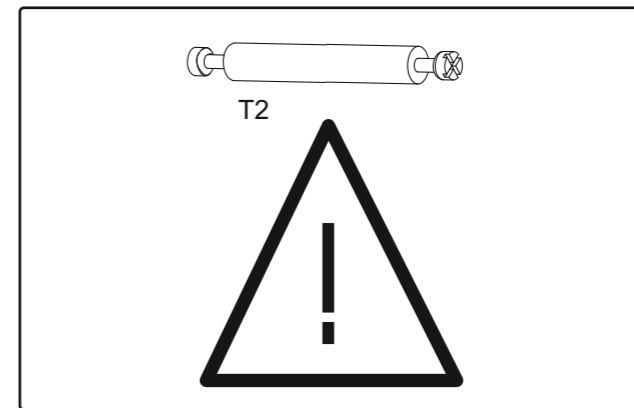
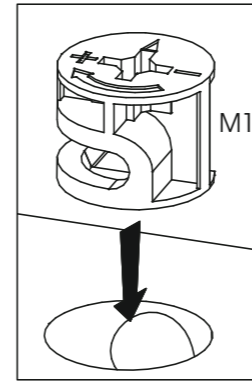
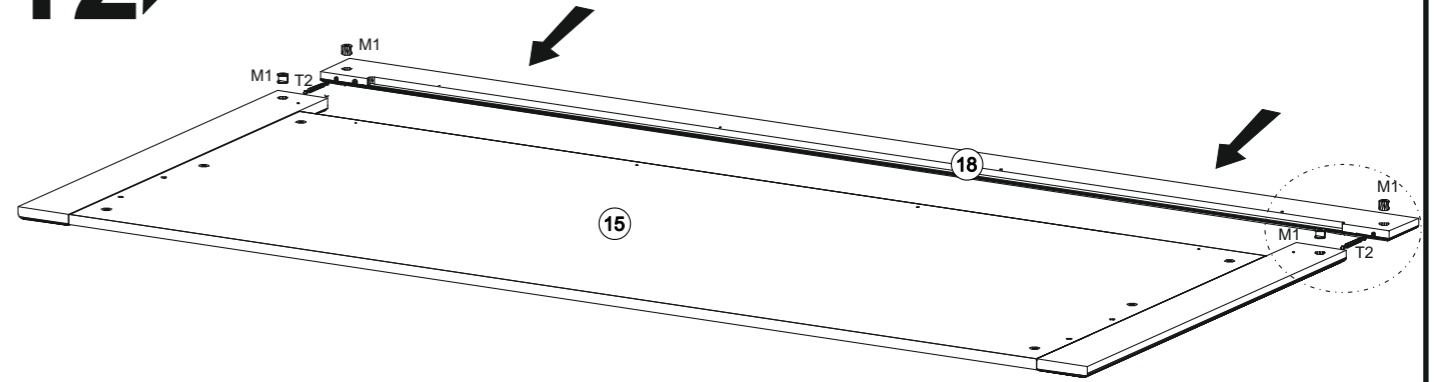
	14/140	14/160	14/180	
20	1966x667	1966x767	1966x867	5/7
19	1520x140	1720x140	1920x140	4/7
18	1626x86	1826x86	2026x86	4/7
17	767x86	767x86	767x86	4/7
16	767x86	767x86	767x86	4/7
15	1454x681	1654x681	1854x681	3/7
14	1451x216	1651x216	1851x216	3/7
13	1404x110	1604x110	1804x110	3/7
12	1404x110	1604x110	1804x110	3/7
11	1939x69	1939x69	1939x69	1/7
10	1939x69	1939x69	1939x69	1/7
9	1972x110	1972x110	1972x110	2/7
8	1972x110	1972x110	1972x110	2/7
7	2004x214	2004x214	2004x214	2/7
6	2004x214	2004x214	2004x214	2/7
5	1939x264	1939x264	1939x264	1/7
4	1339x264	1539x264	1739x264	1/7
3	1339x264	1539x264	1739x264	1/7
2	1939x264	1939x264	1939x264	1/7
1	1939x264	1939x264	1939x264	1/7

4x	M4	21x	M3	2x	6x56	T1	38x	14/863	ZN2	14x	20/863	ZN1	10x	G1	4x	M6x60	A2	5x	M6x40	A3	1x	OPCJA	10x10x1452/1652/1852
				9x	4x40	A7	16x	M6x55	A1	12x	4x30	A8	16x	f15	M1	22x	T1	28x	8x30	K1	1x	Z1	

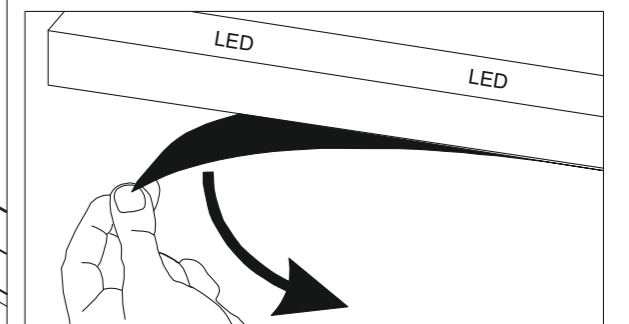
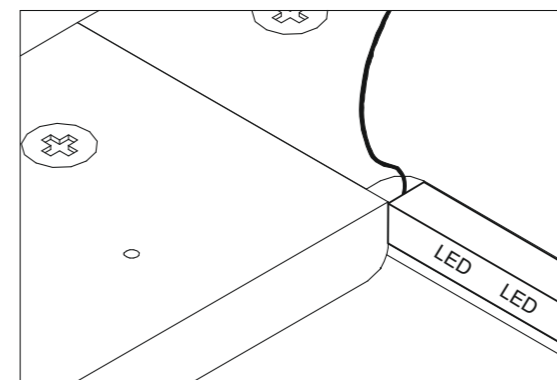
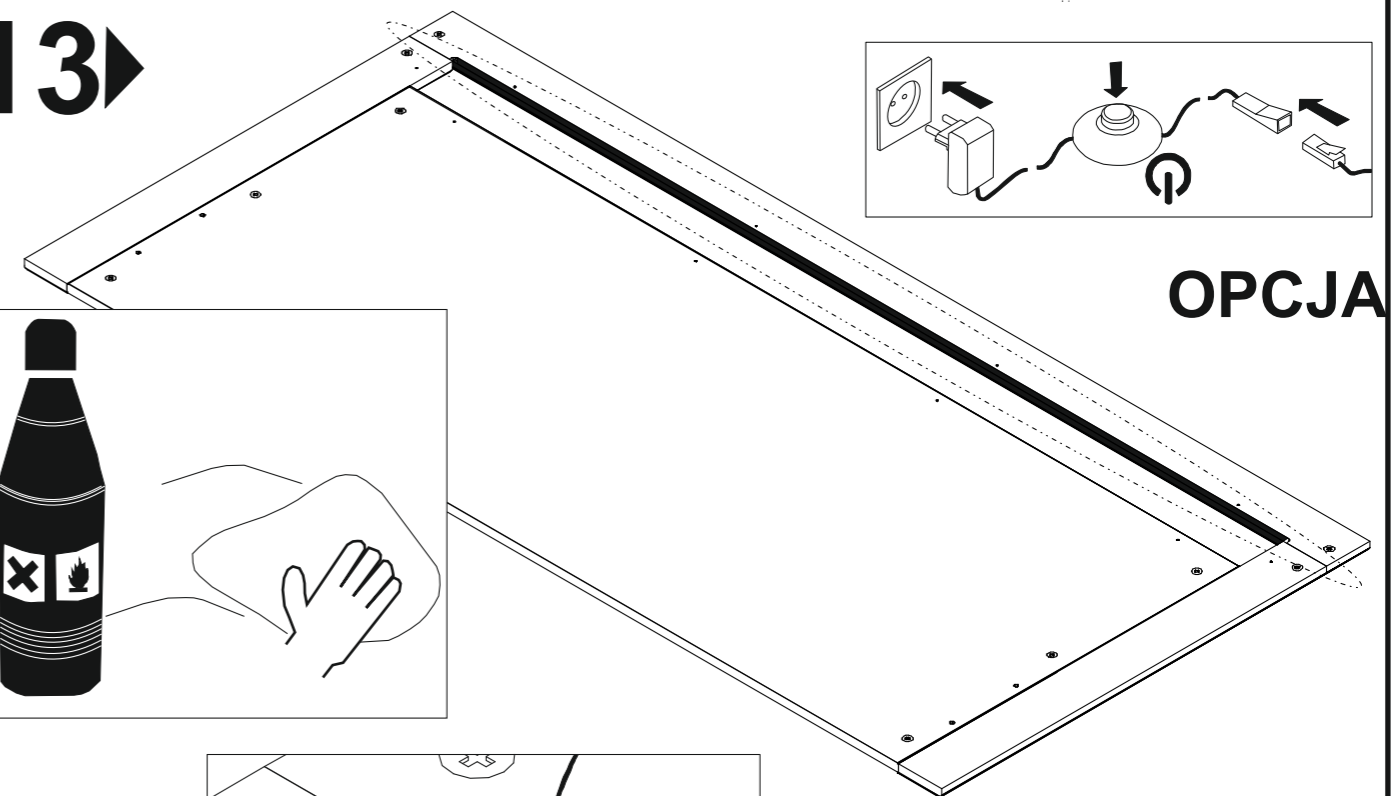
1/10



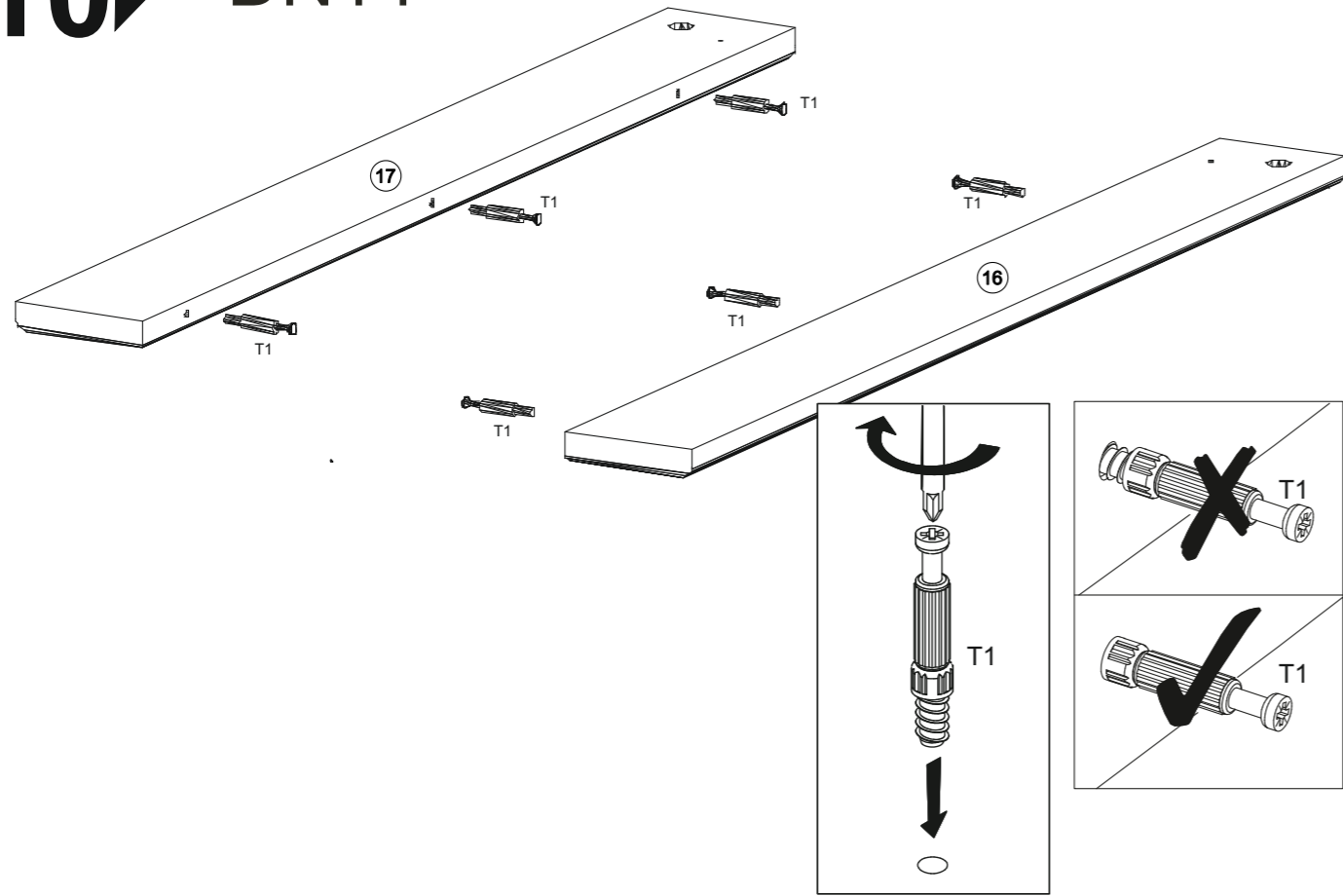
12



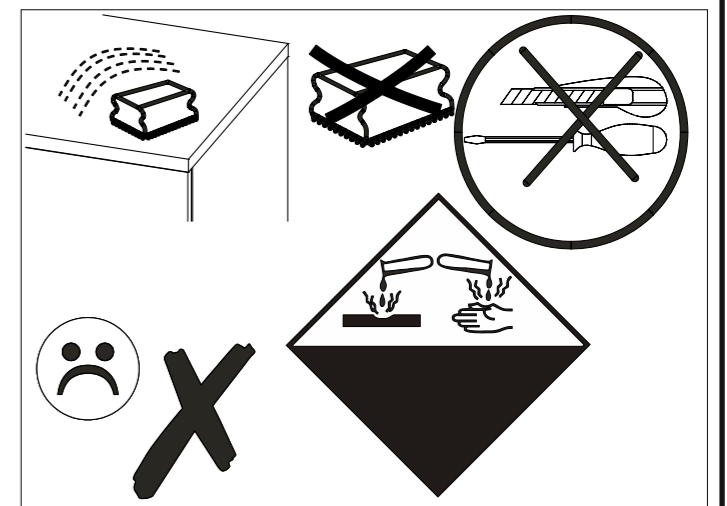
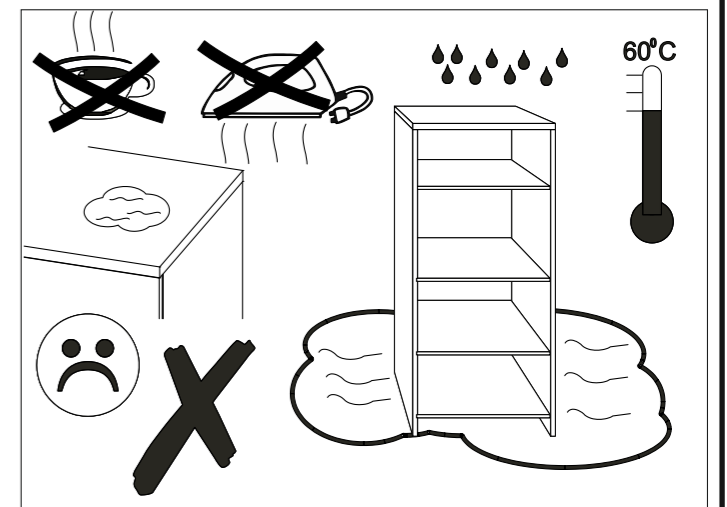
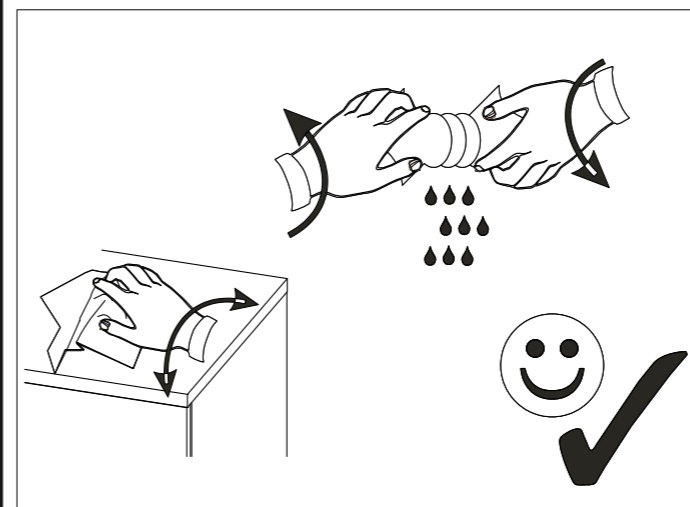
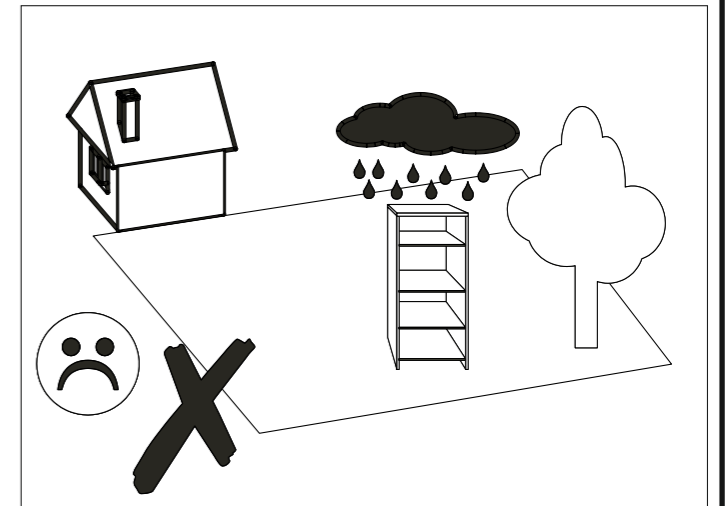
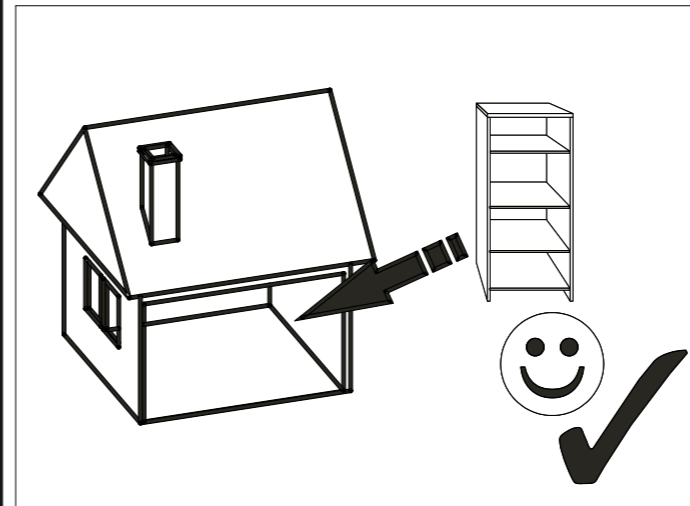
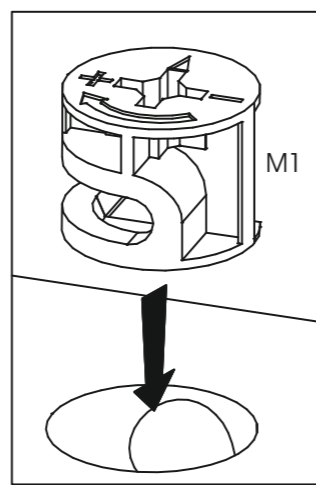
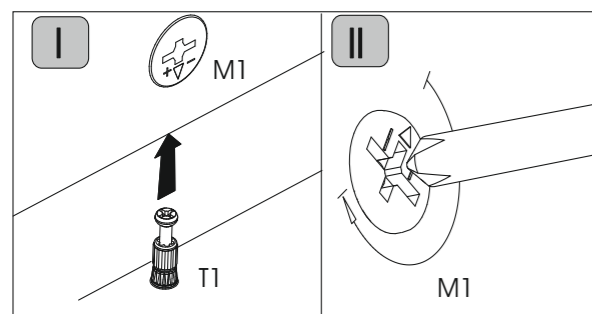
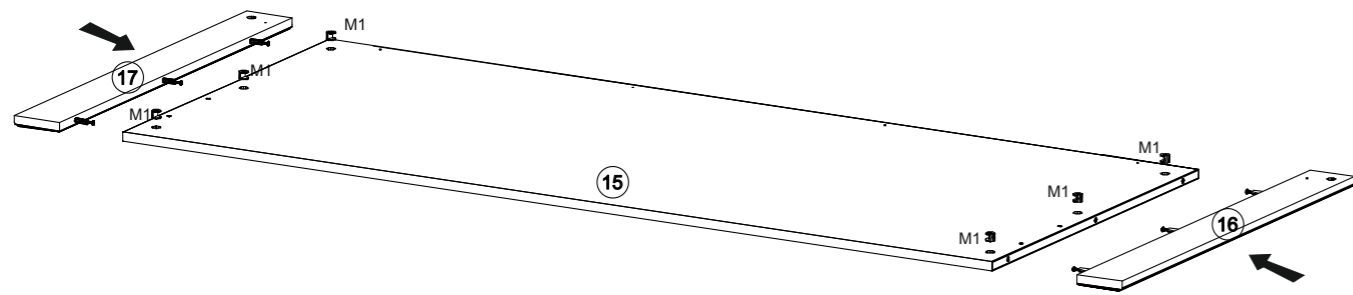
13



# 10 ▶ DN14

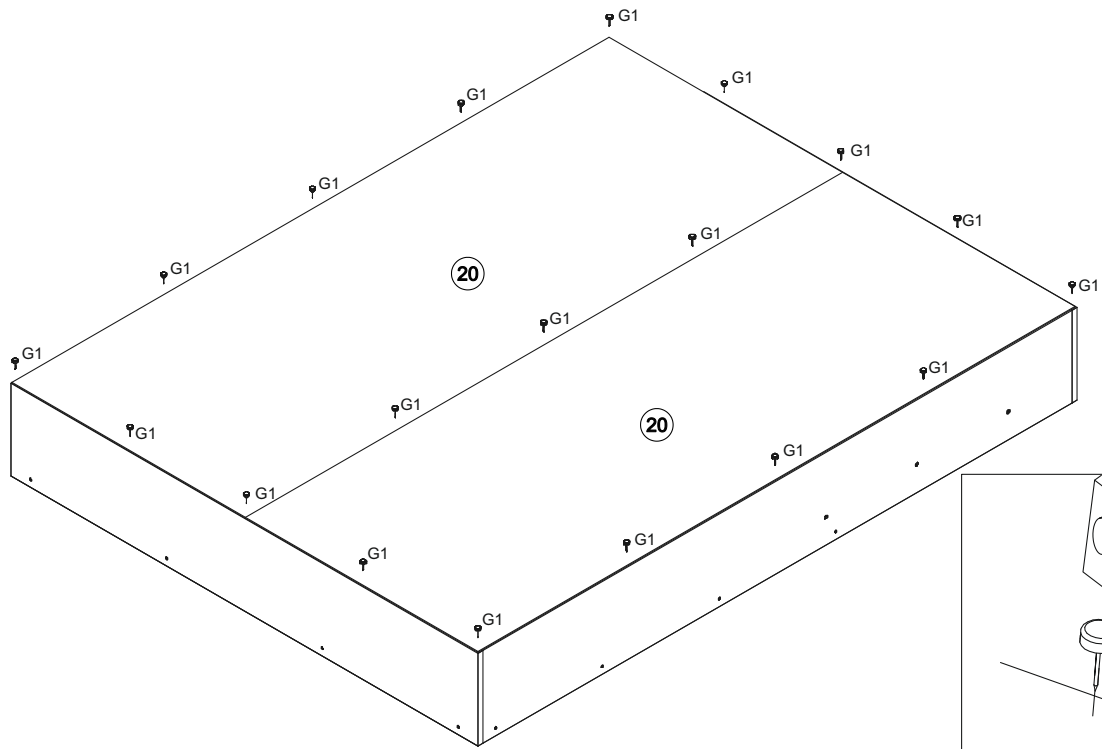


# 11 ▶

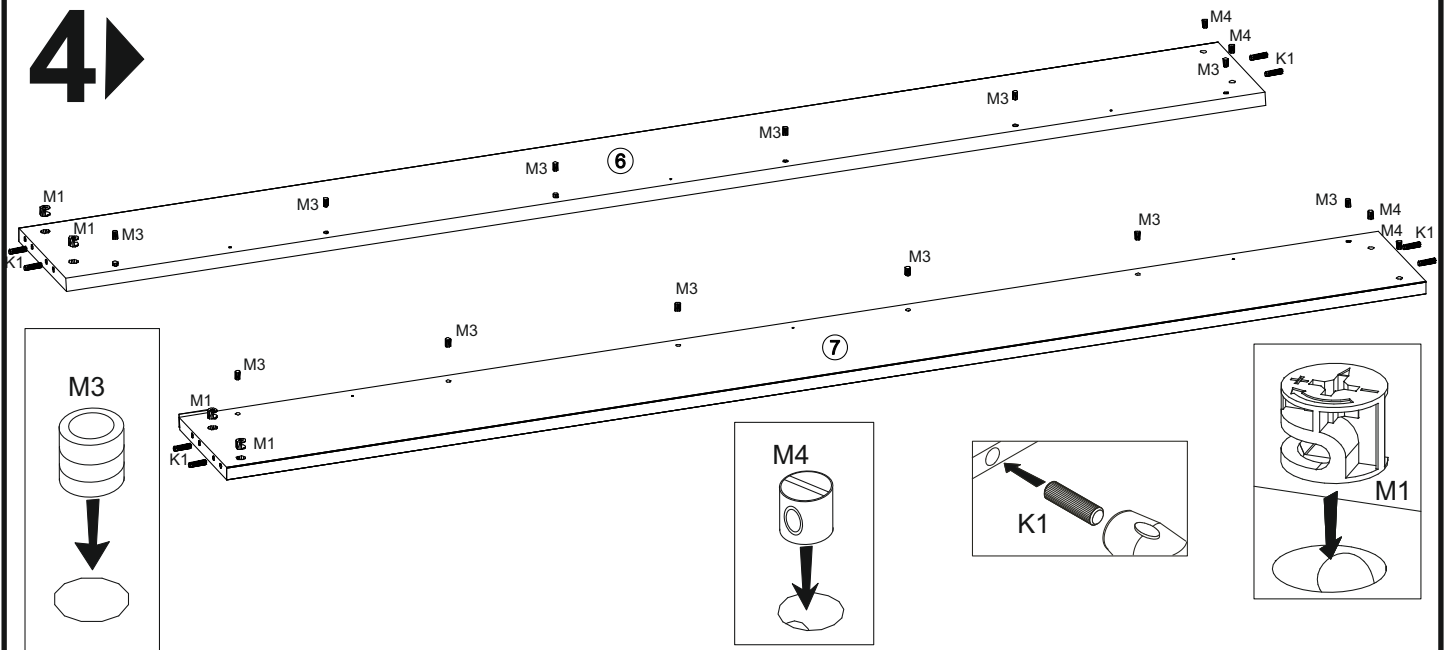




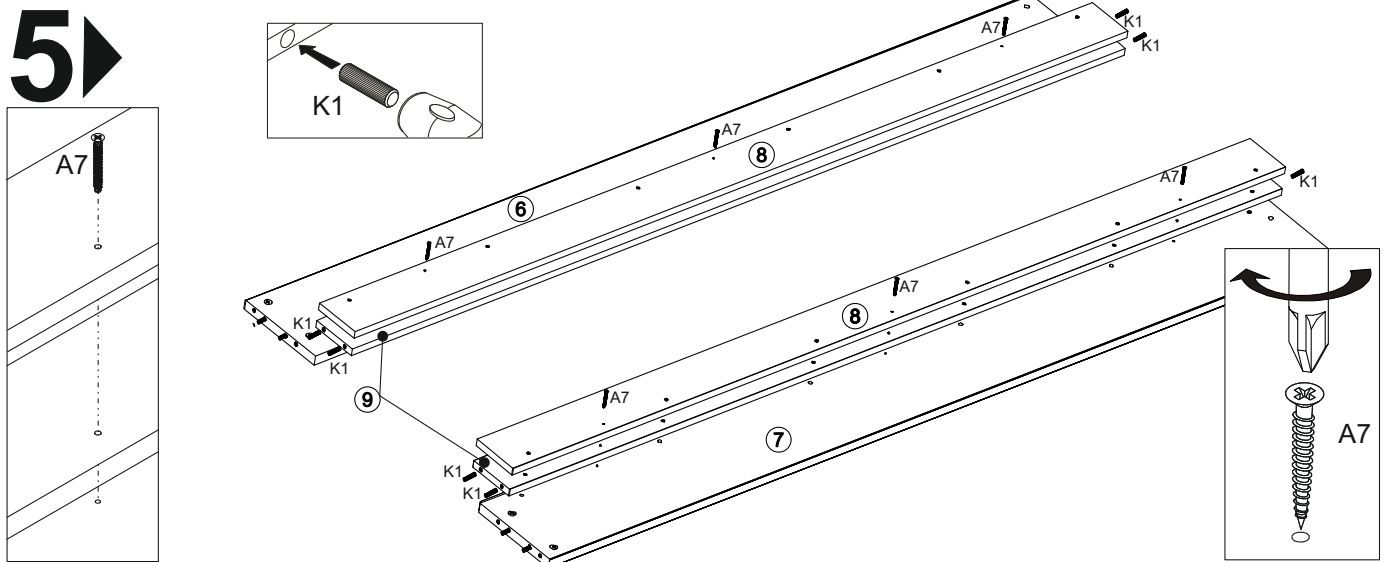
# 3



# 4

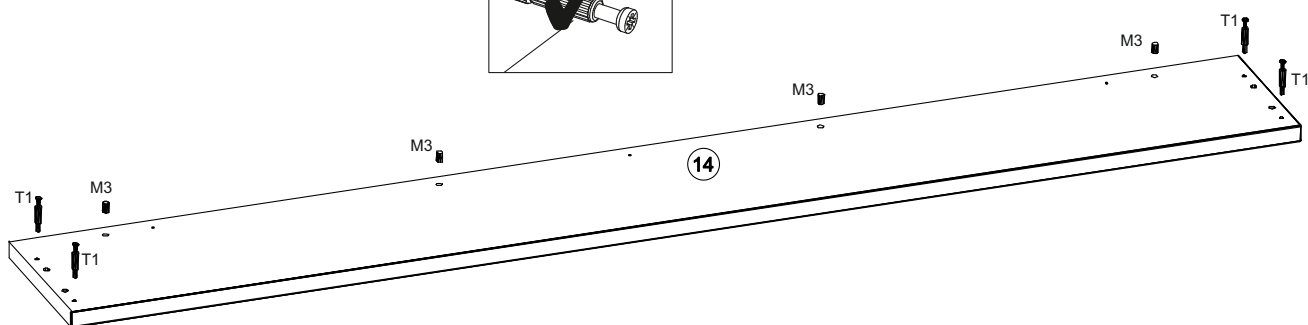
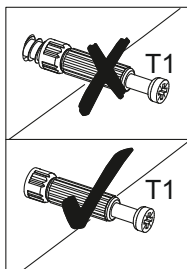
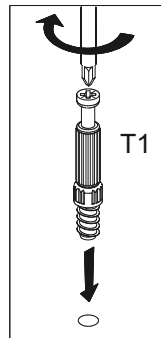
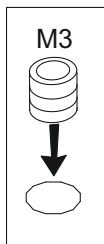


# 5



# 6 ▶

## DN14



# 7 ▶

