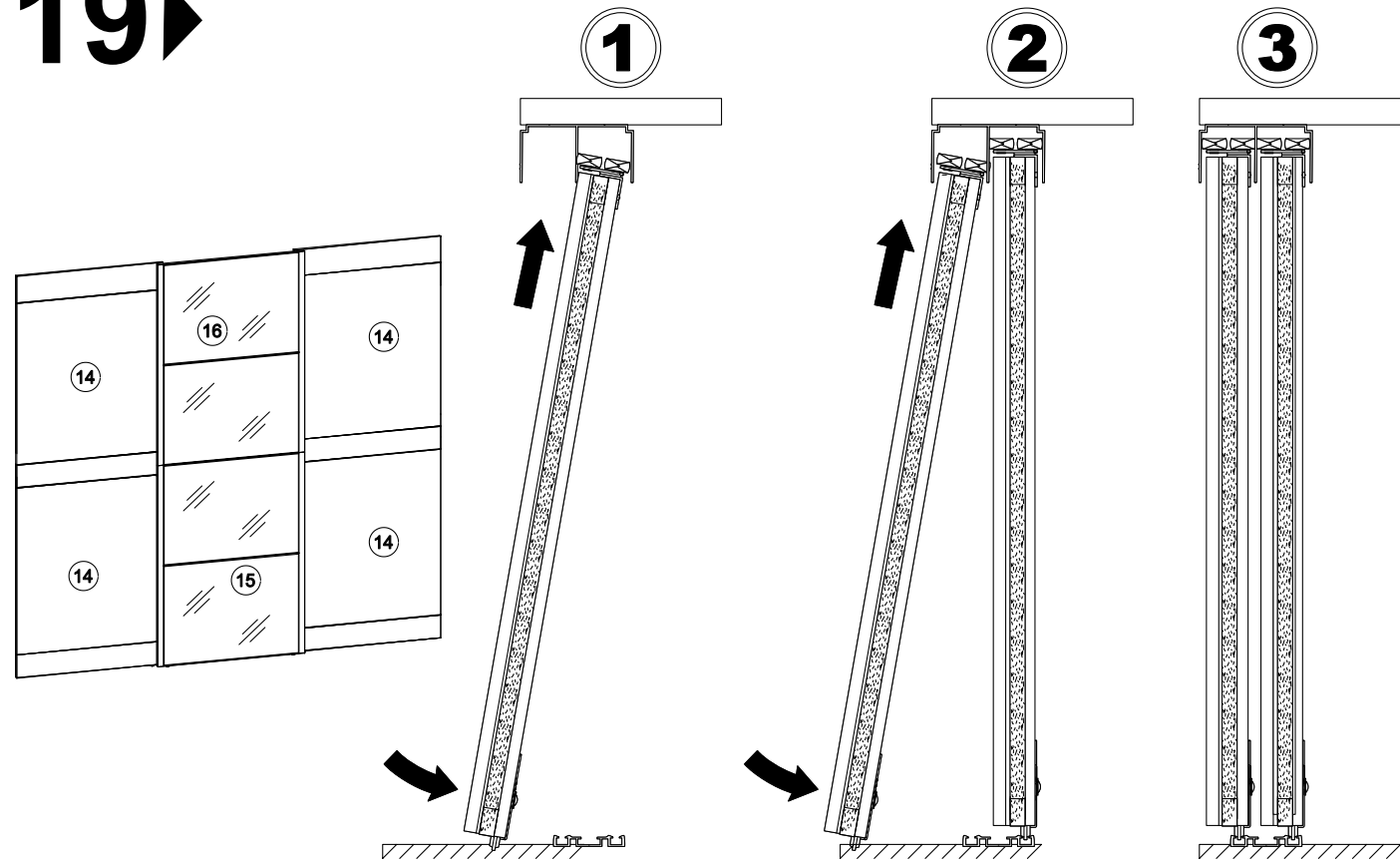
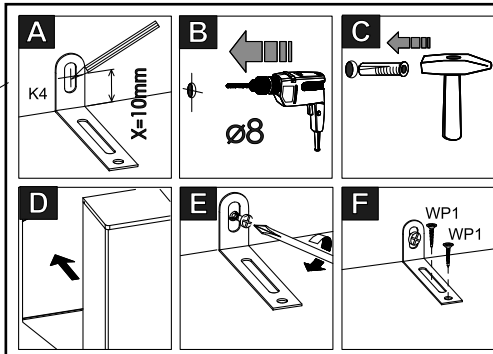
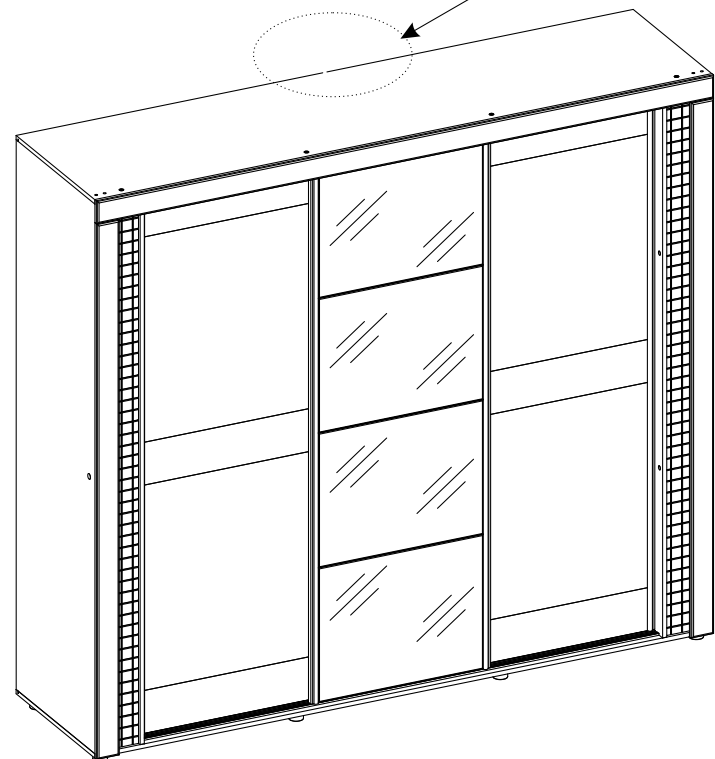


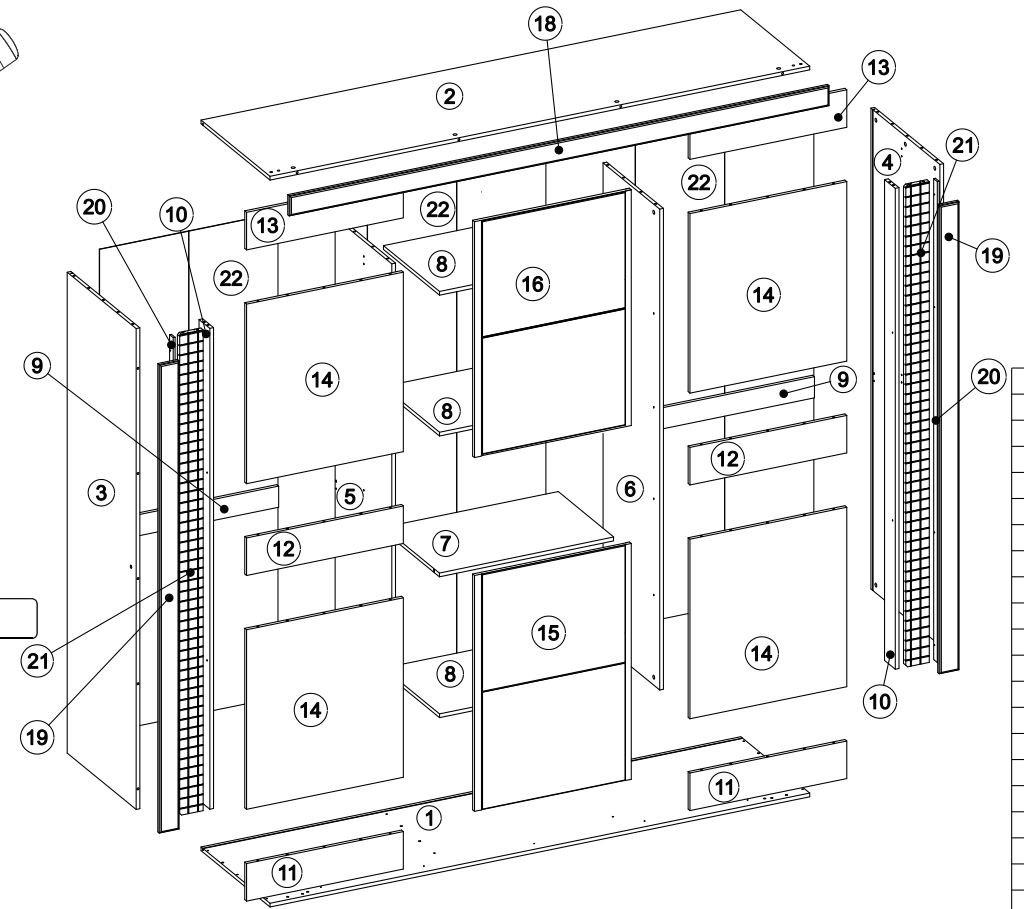
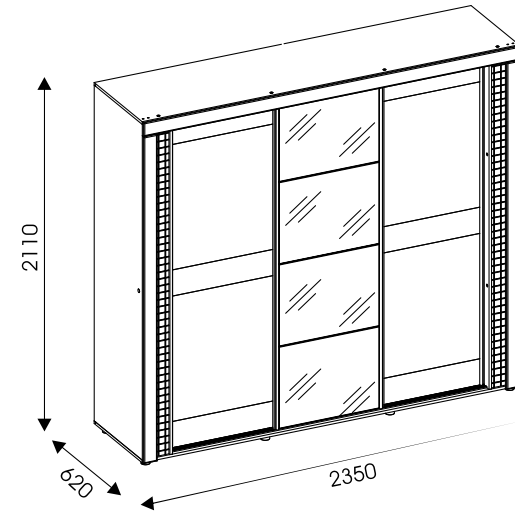
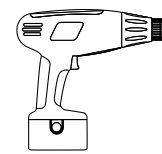
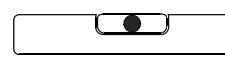
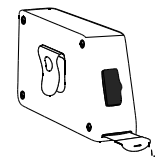
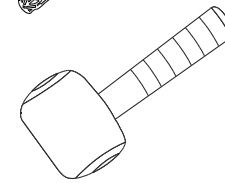
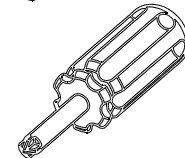
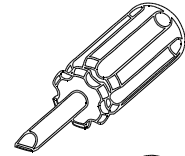
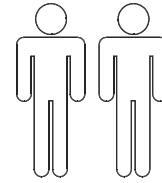
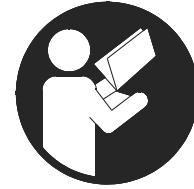
# 19▶



# 20▶

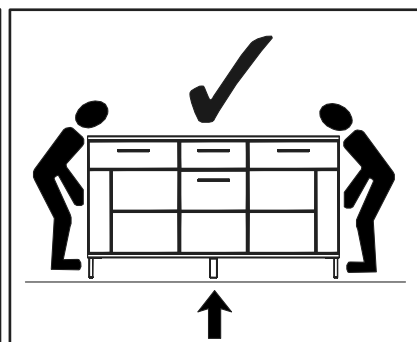
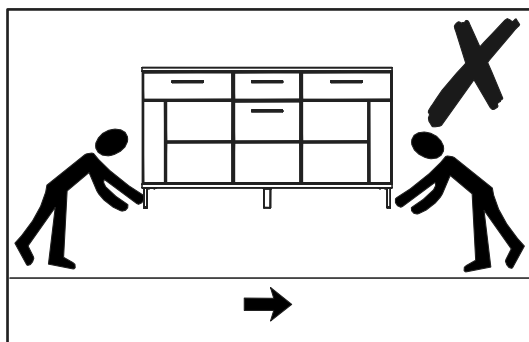
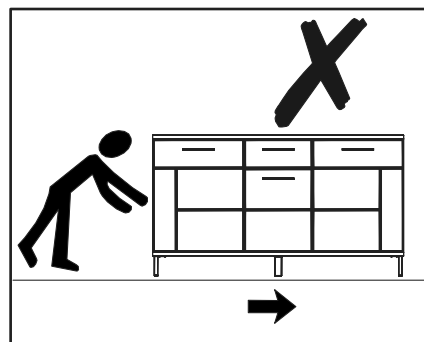
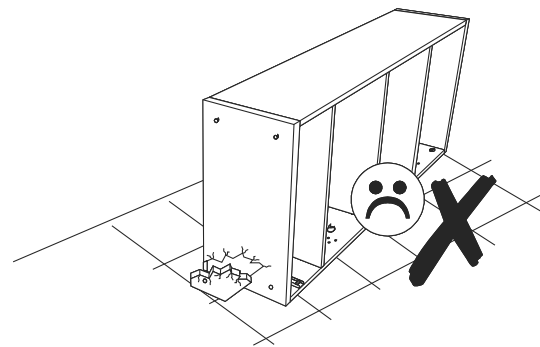
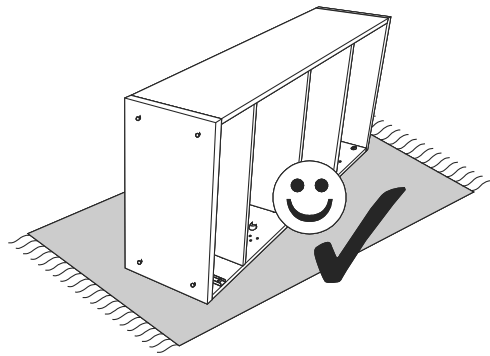
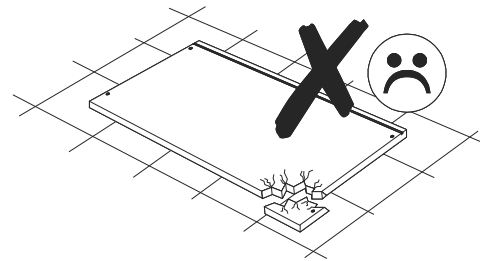
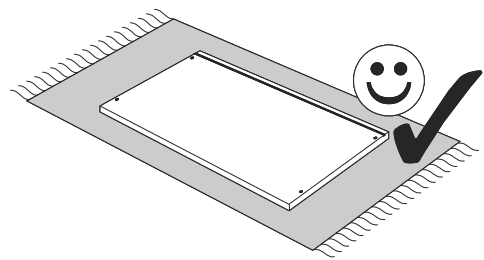
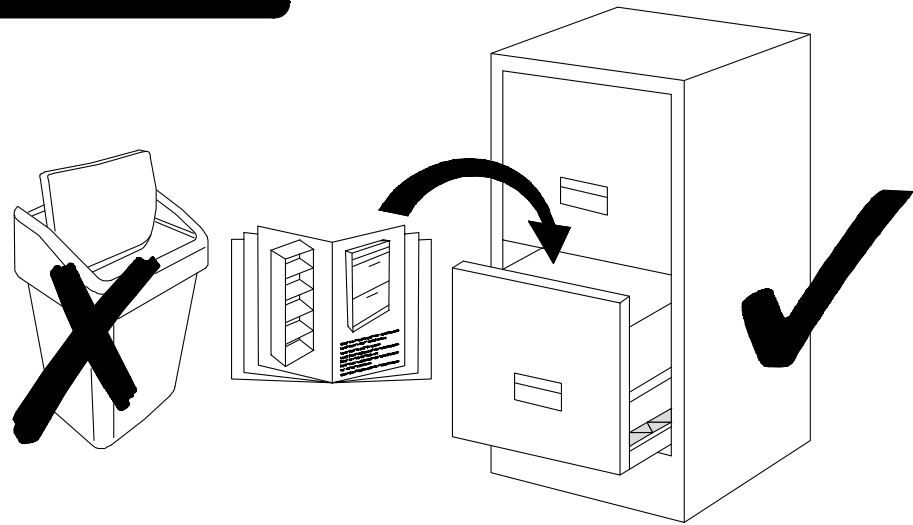


## MODELL: DN13

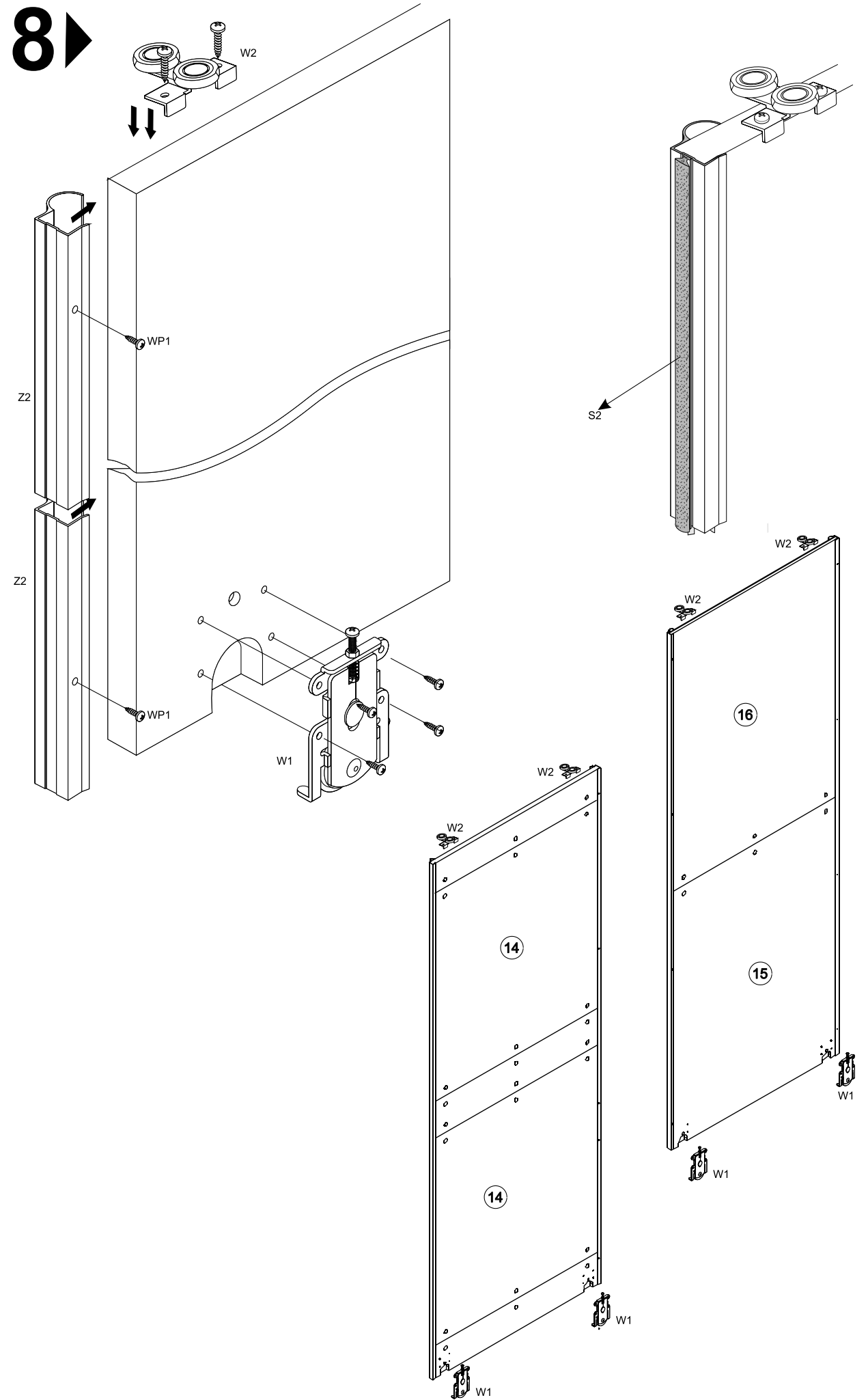


22	2064x776	3/7
21	2049x102	2/7
20	2049x32	2/7
19	1996x86	4/7
18	2348x86	1/7
16	1005x682	6/7
15	1005x682	7/7
14	765x682	6/7 7/7
13	682x160	6/7 7/7
12	682x160	6/7 7/7
11	682x160	6/7
10	2049x94	2/7
9	761x90	5/7
8	760x488	5/7
7	761x488	5/7
6	2049x493	3/7
5	2049x493	3/7
4	2049x600	2/7
3	2049x600	2/7
2	2348x600	1/7
1	2348x600	1/7

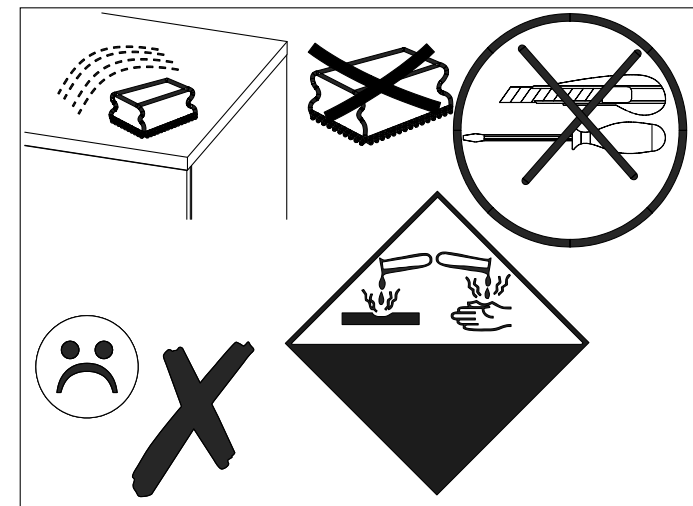
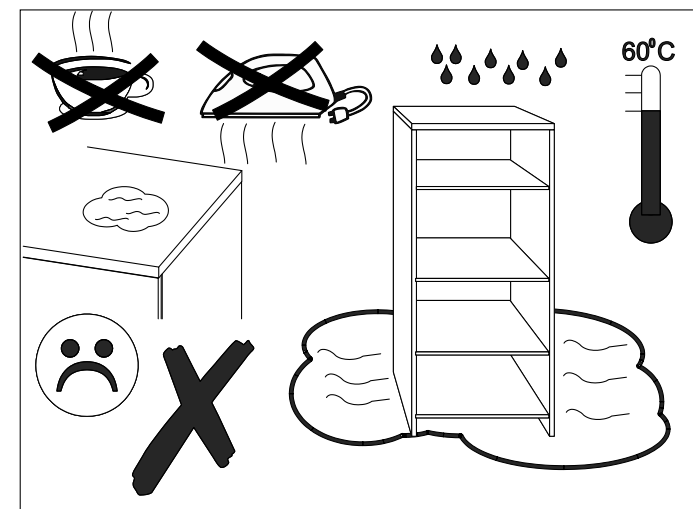
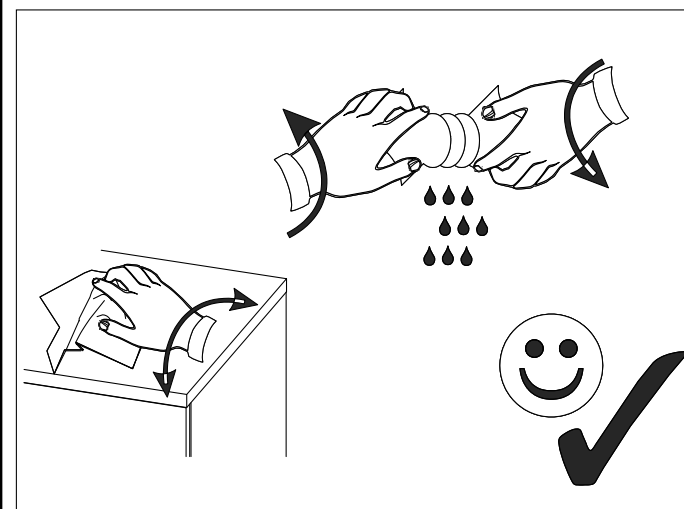
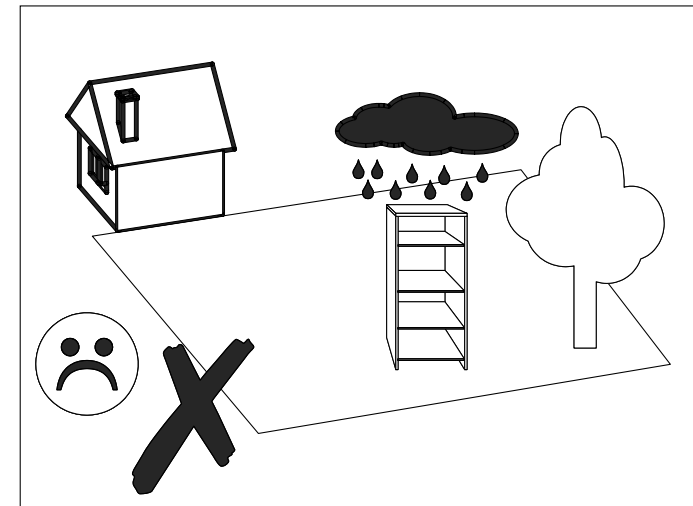
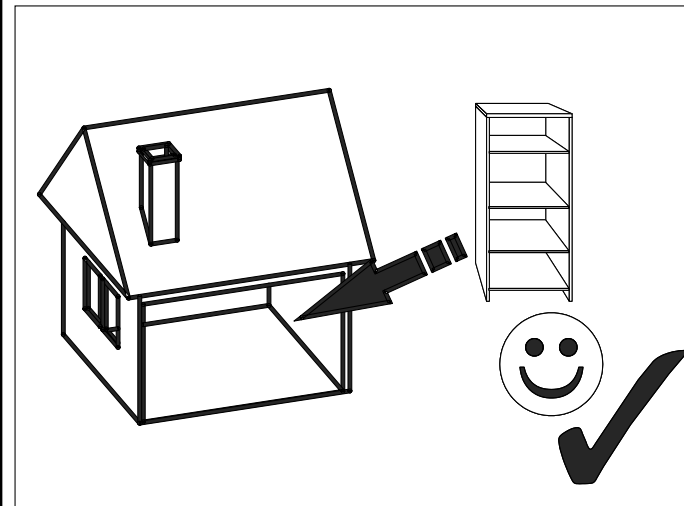
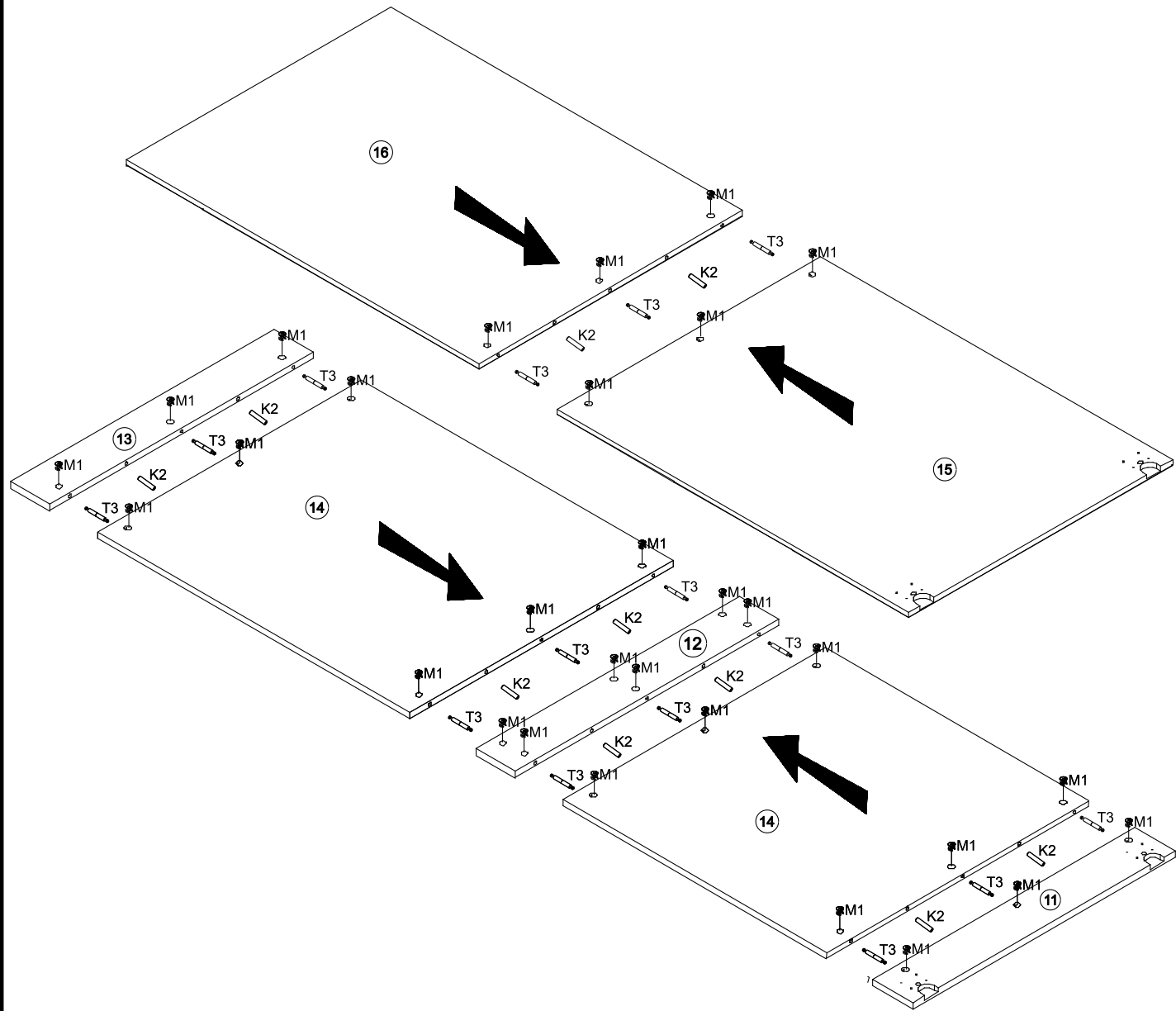
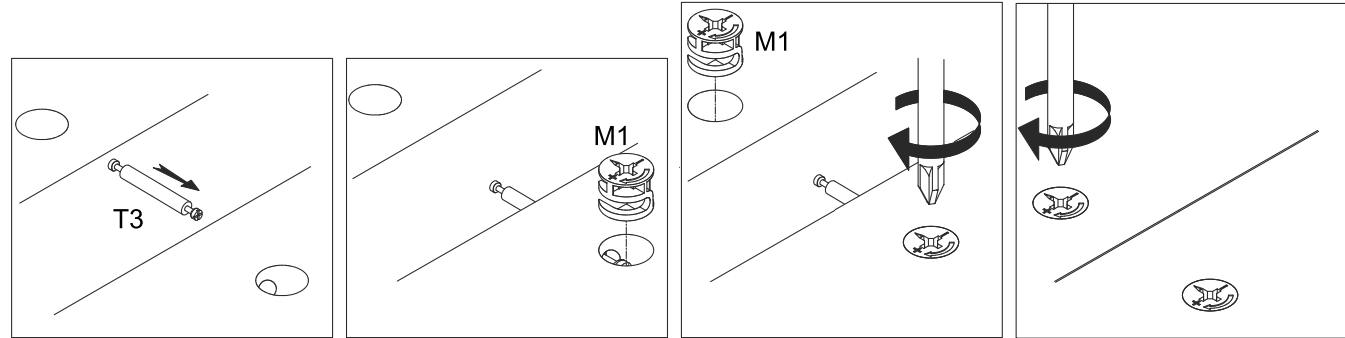
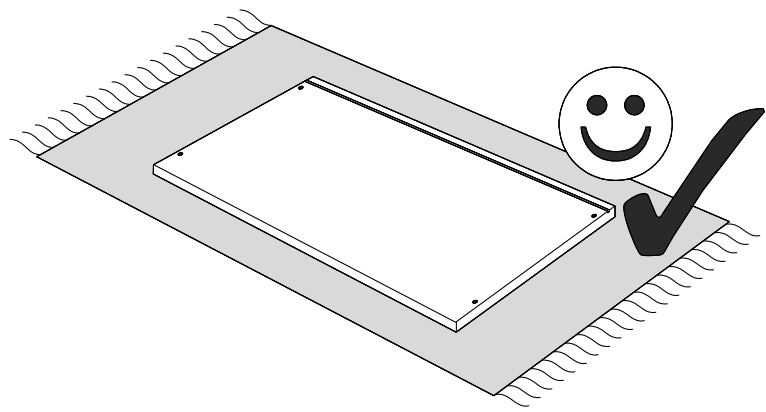
4x S3	3x L2010 S2	27x 56 T3	14x 8x50 K2	10x 3x25 W10	1x L2188 W10	4x C1	4x C2	1x Z4
6x 4x13 WP2	1x L2188 L2	12x B1	4x #14/112 ZN3	8x WS1	18x BS1	1x K4	6x L2010 Z2	8x 4x25 WP6
41x 3,5x16 WP1	26x 3x20 W9	6x W2	6x W1	28x 2x20 G1	92x φ15 M1	38x T1	4x 4x30 A8	1x K21



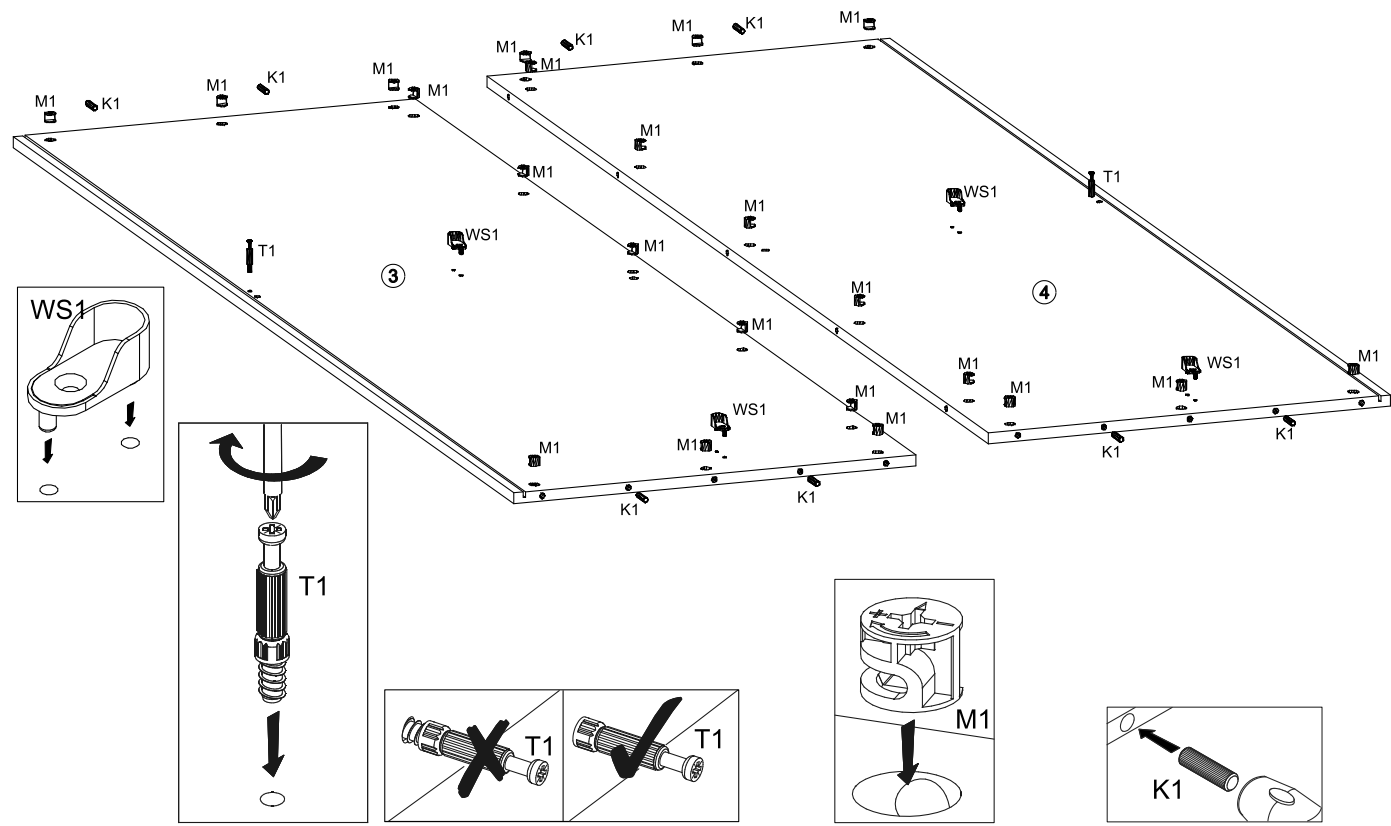
18 ▶



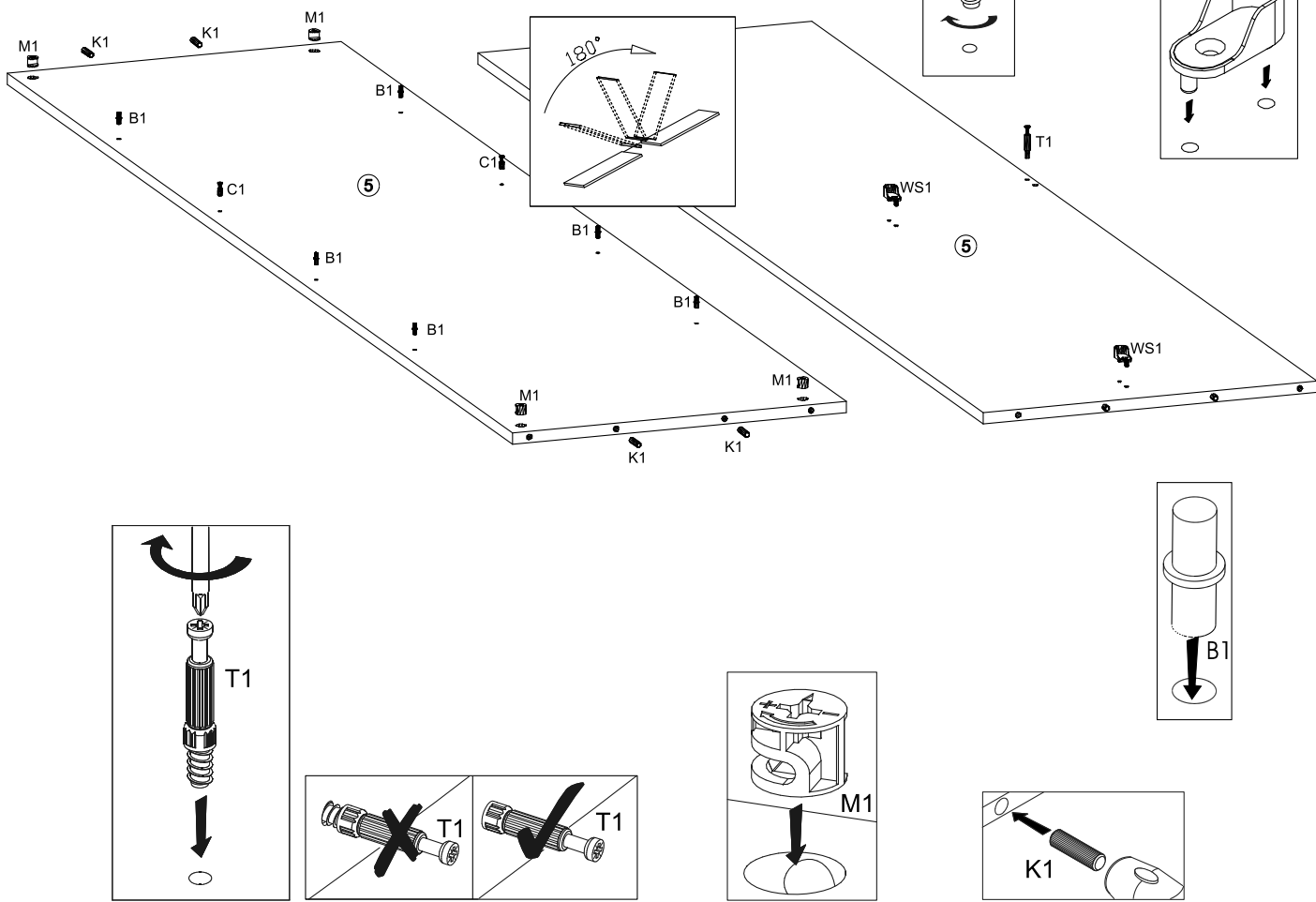
17



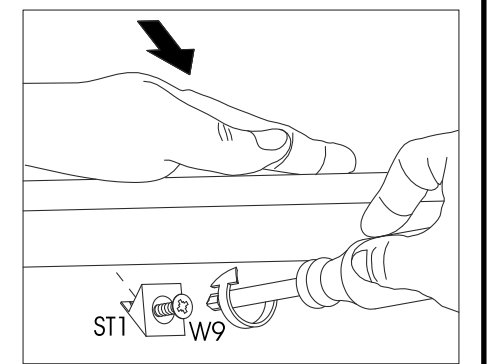
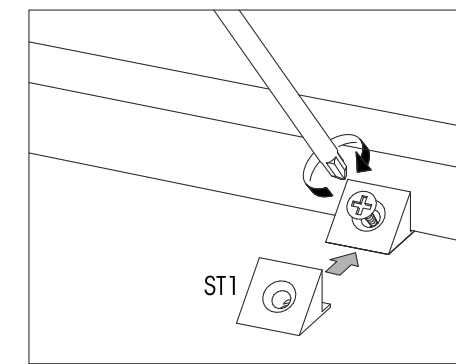
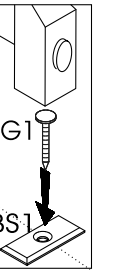
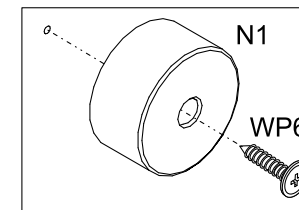
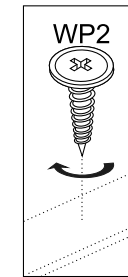
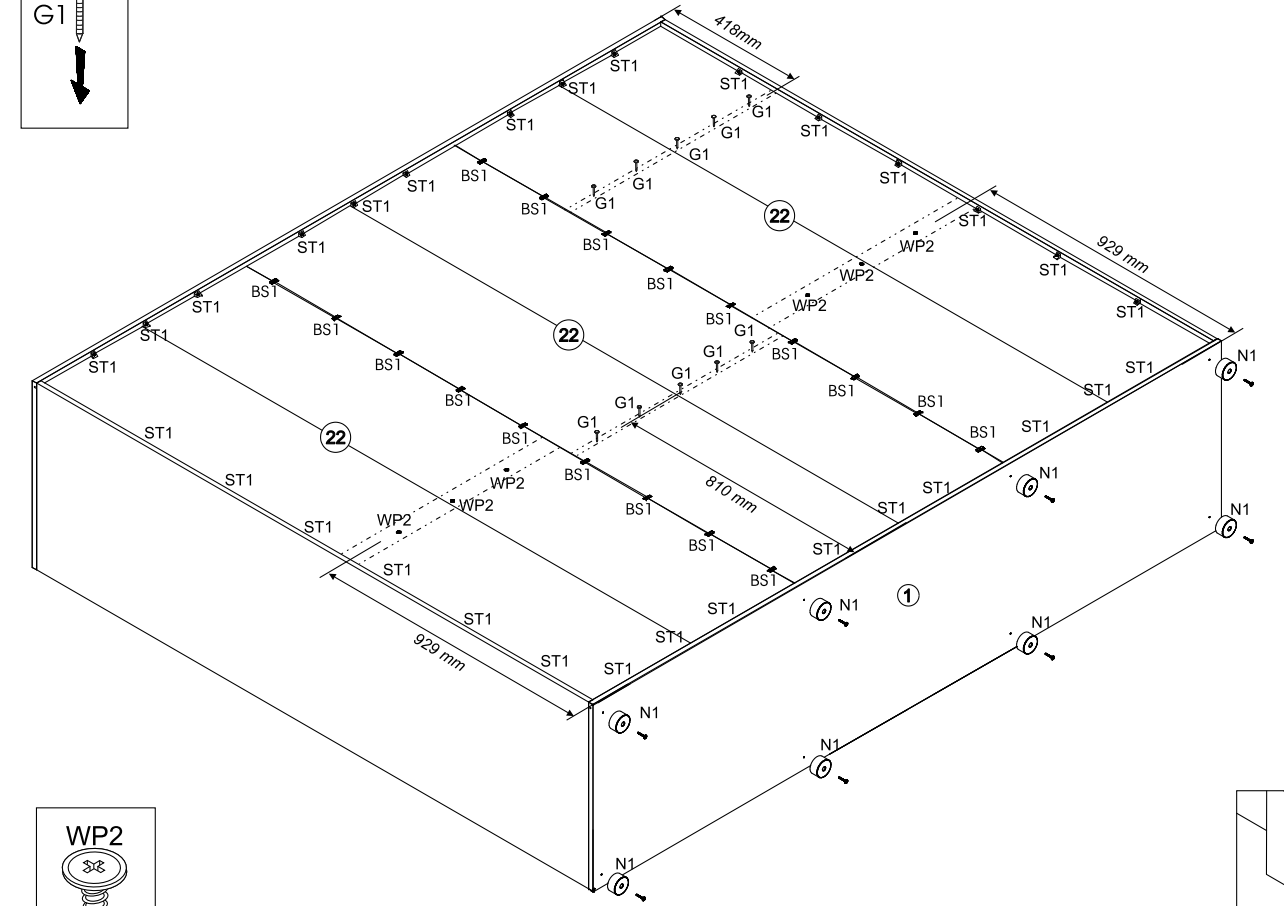
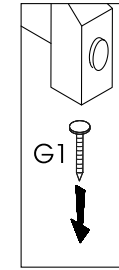
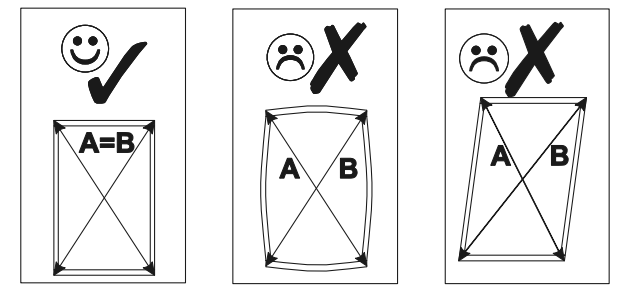
1



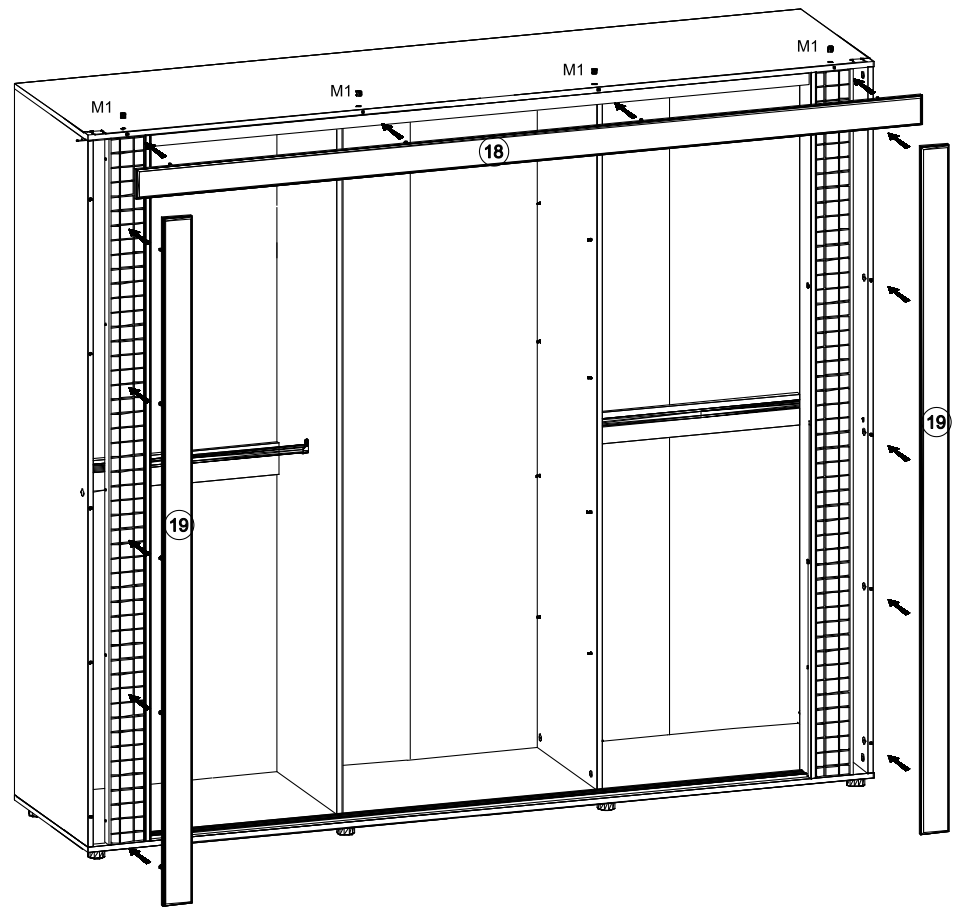
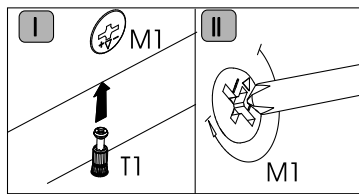
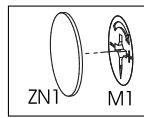
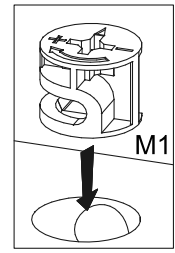
2



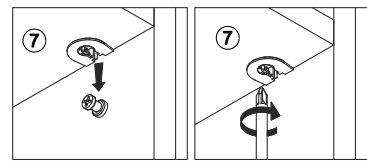
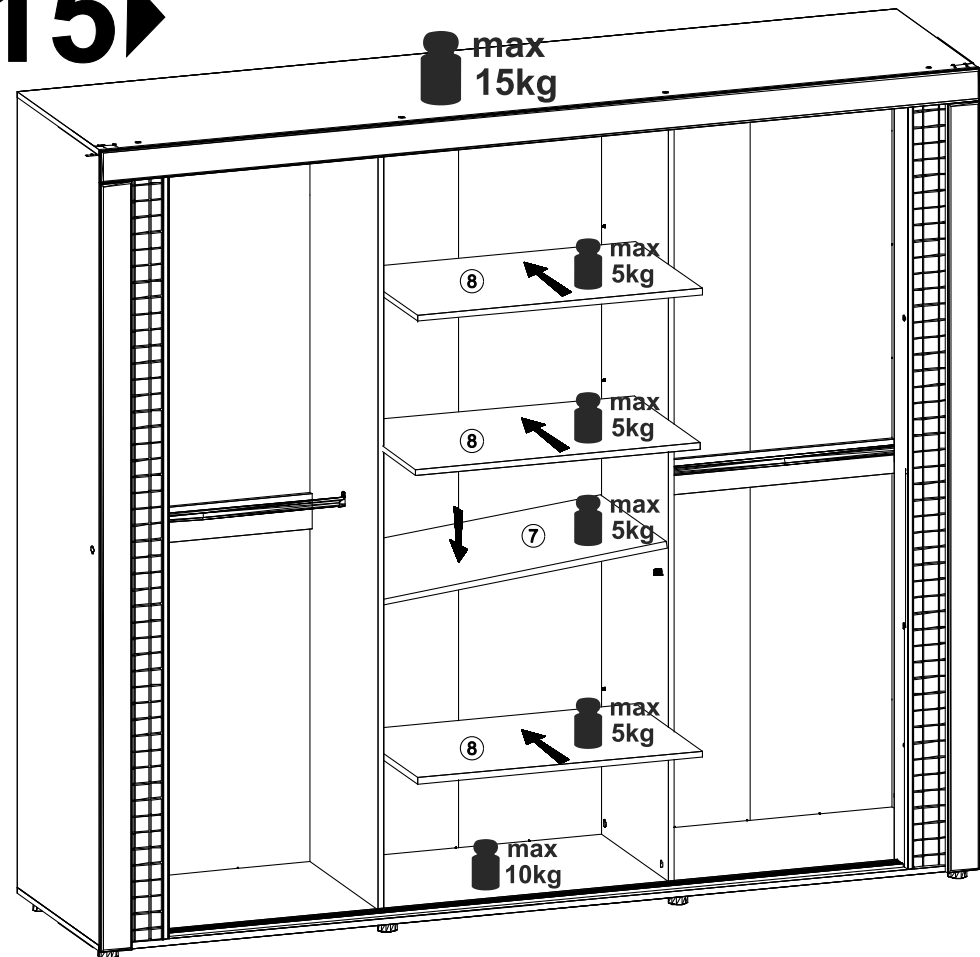
16



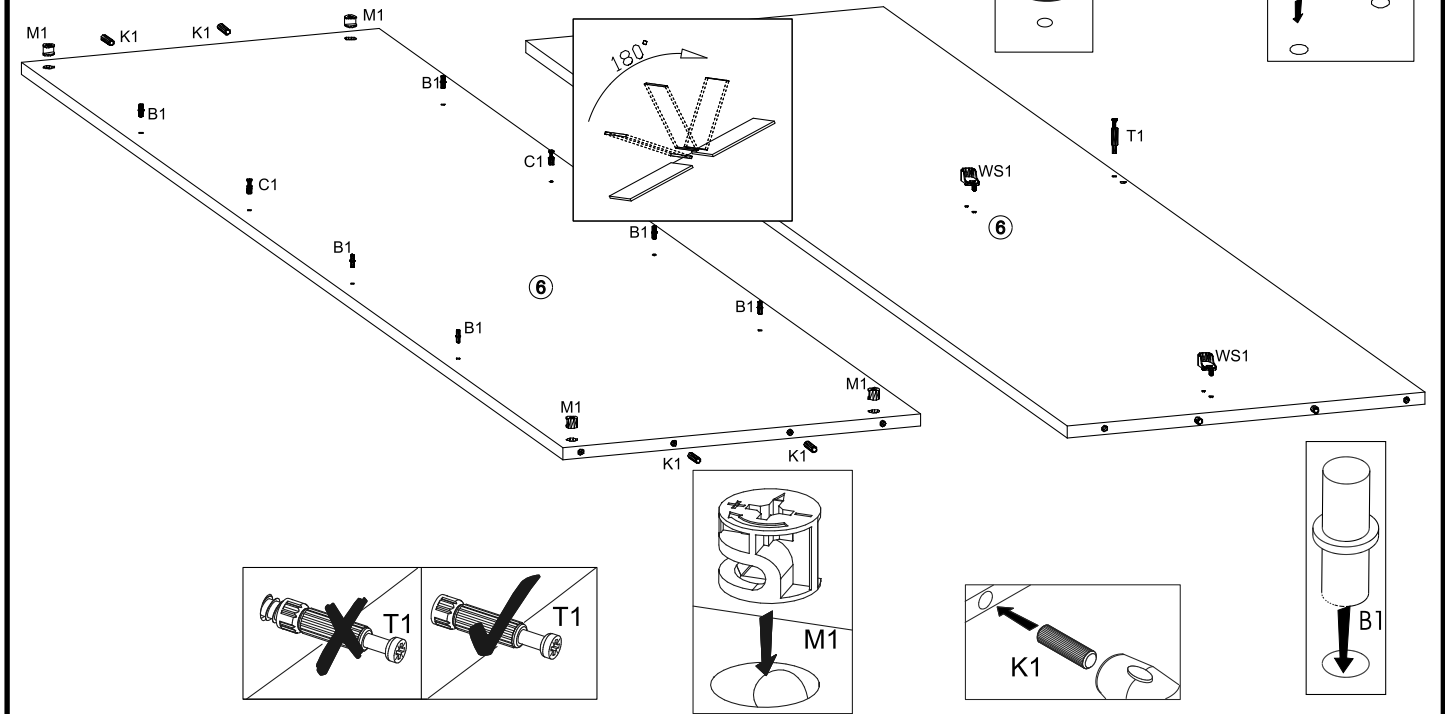
# 14



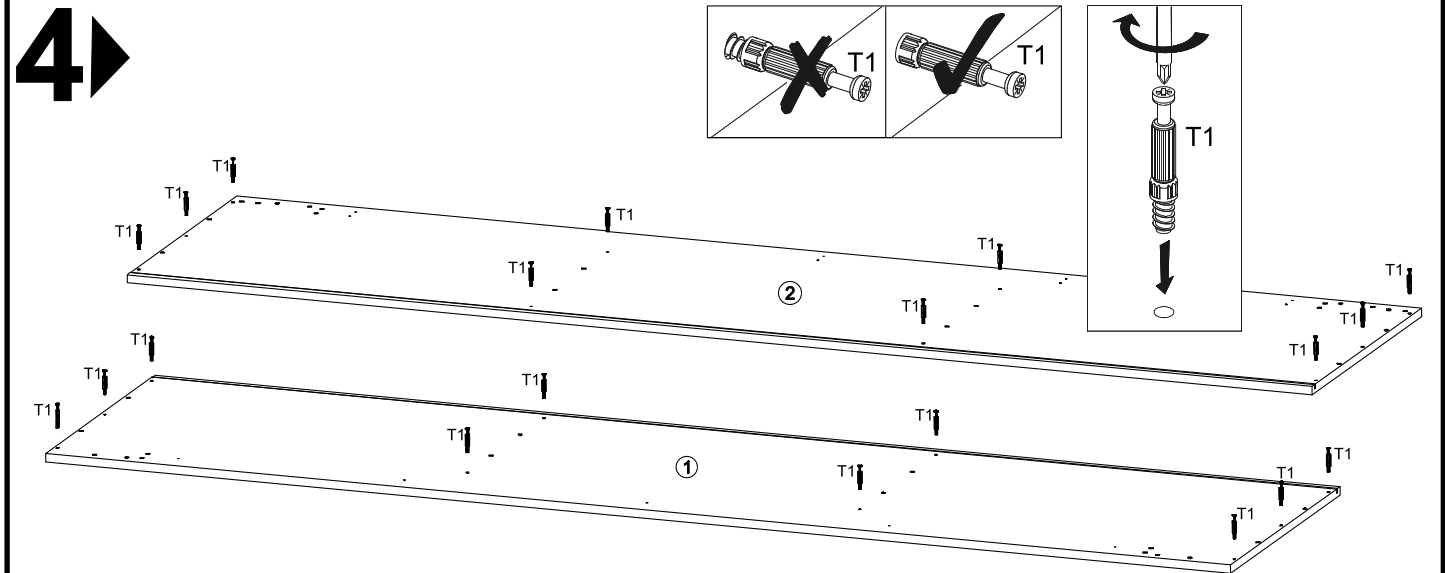
# 15



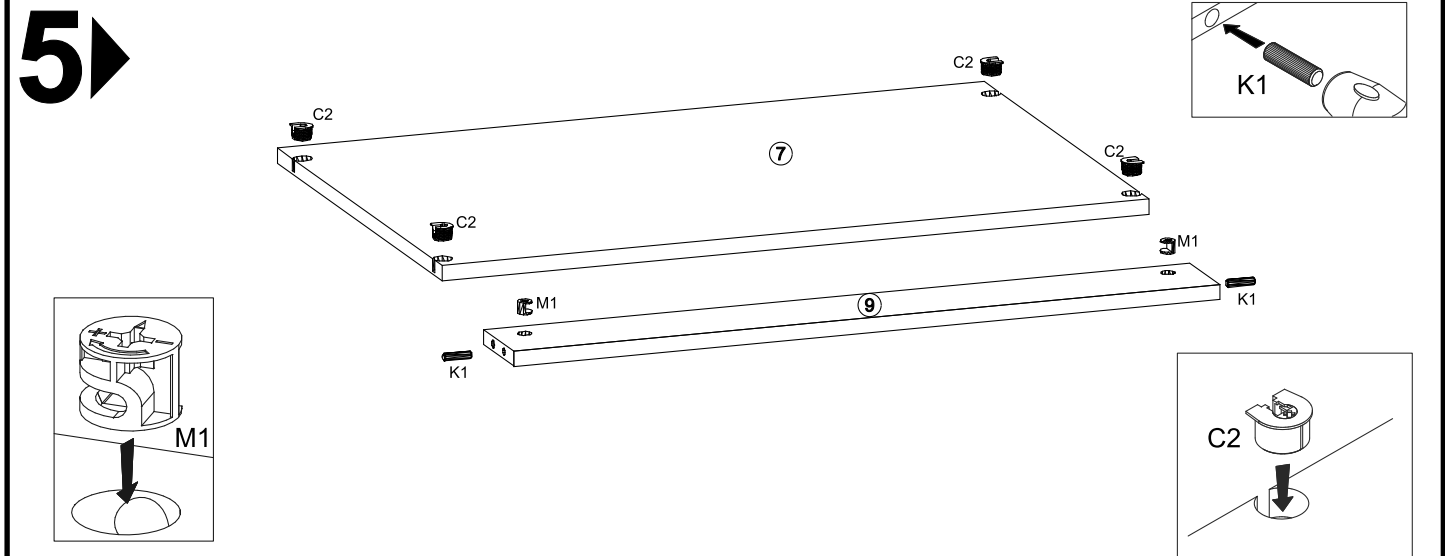
# 3



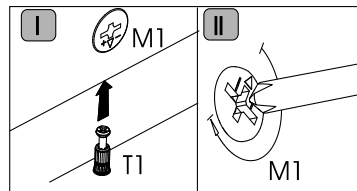
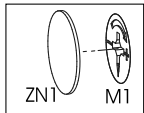
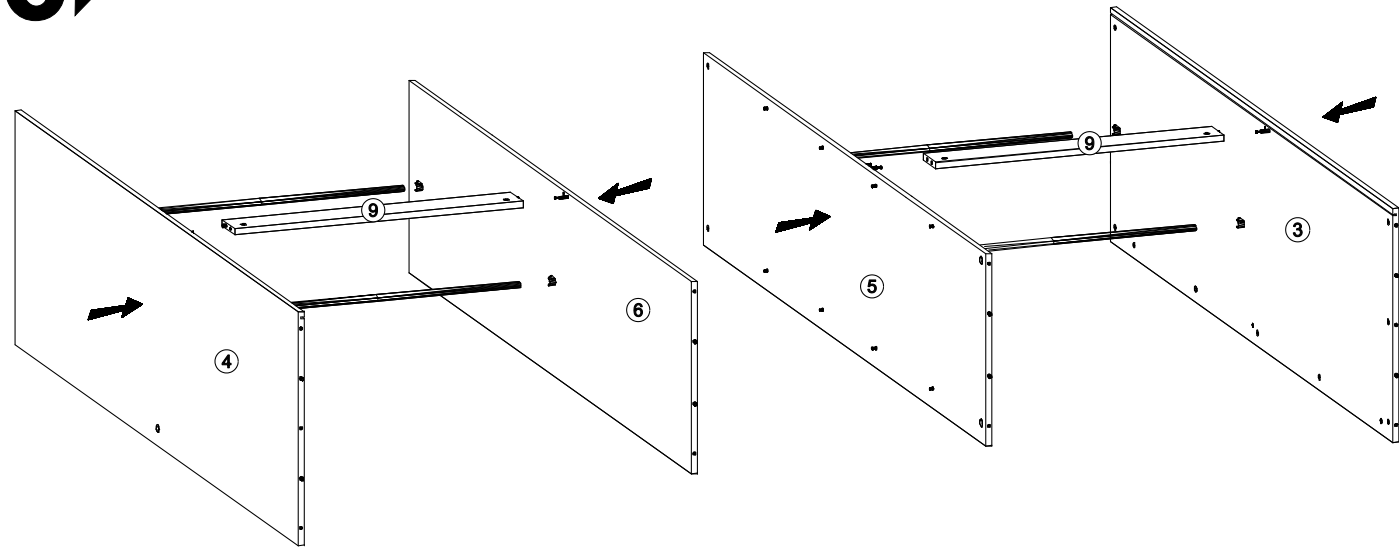
# 4



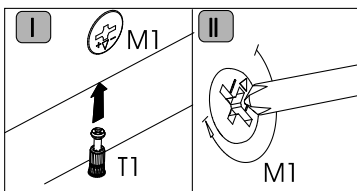
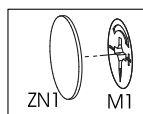
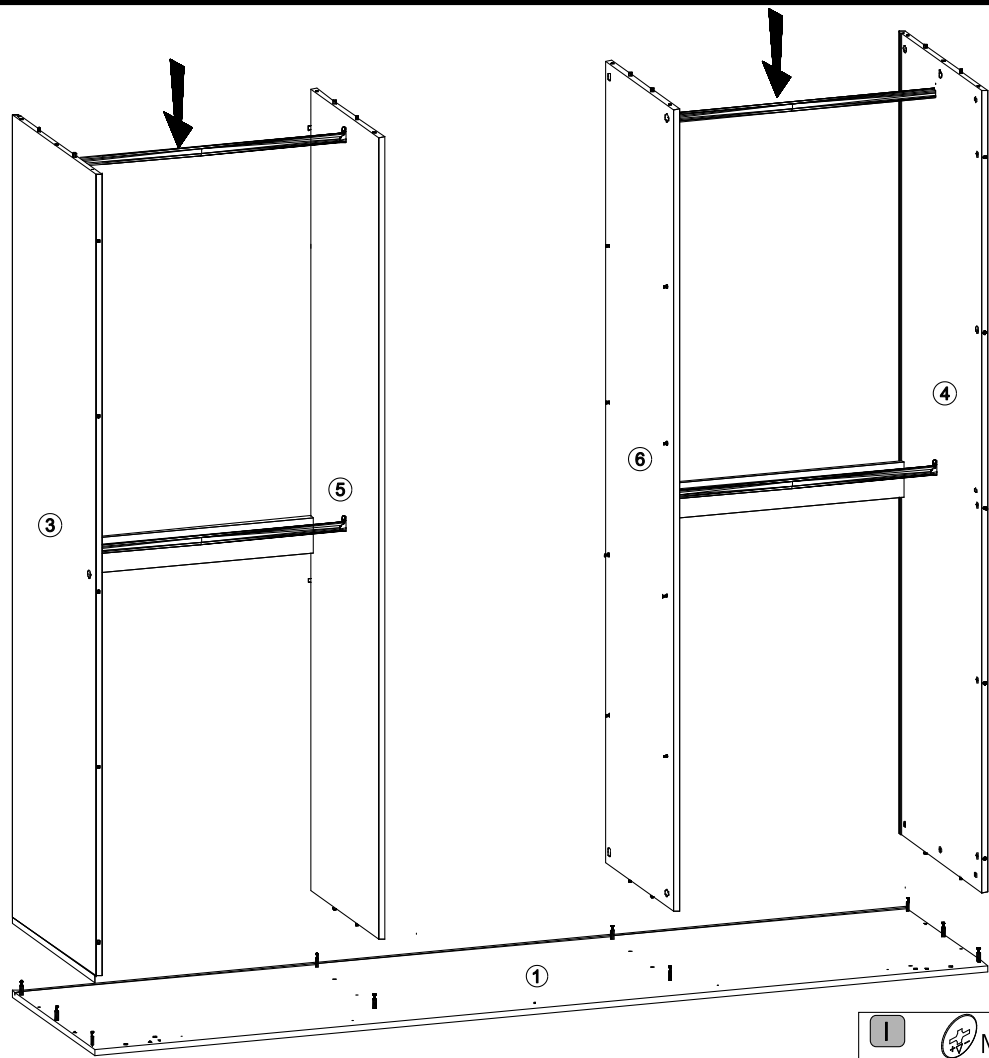
# 5



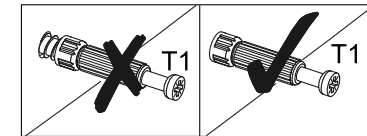
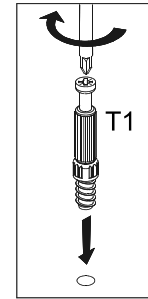
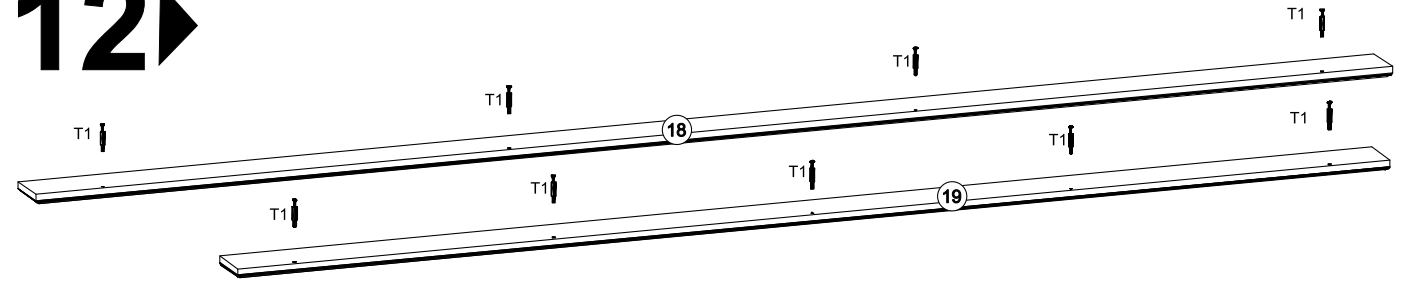
6▶



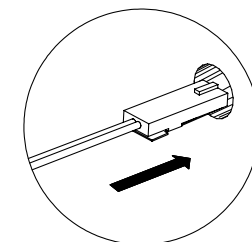
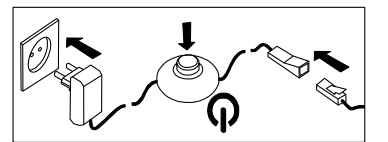
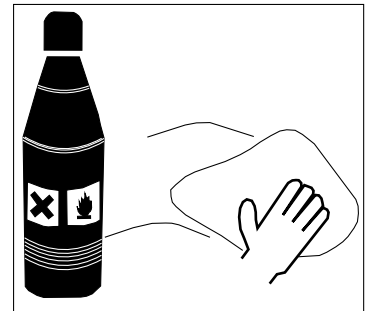
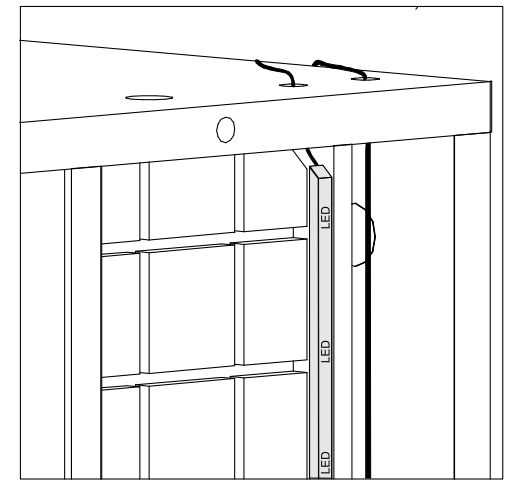
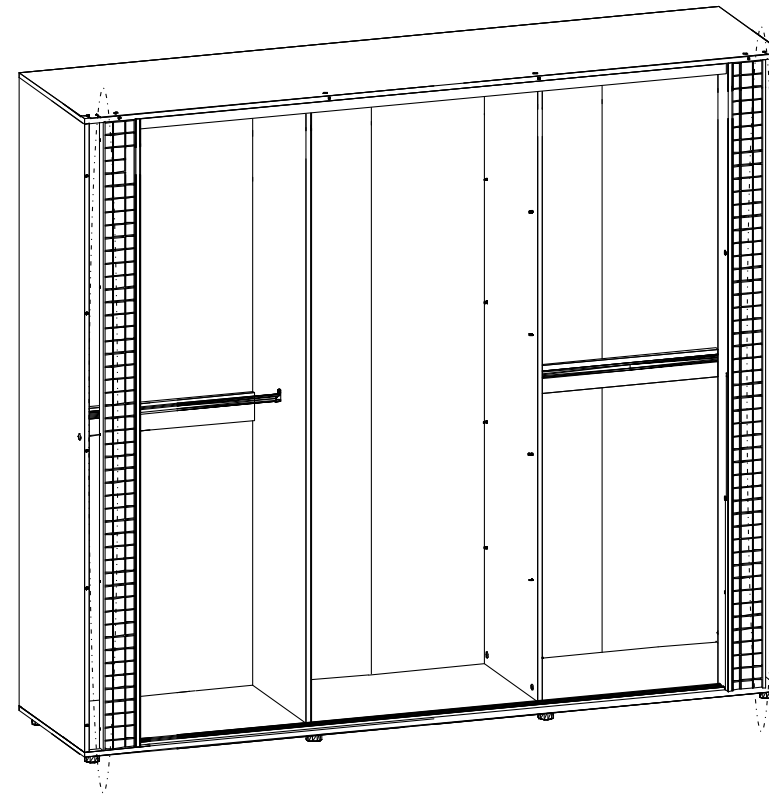
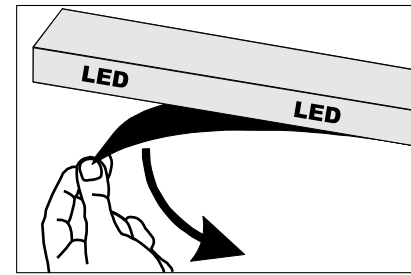
7▶



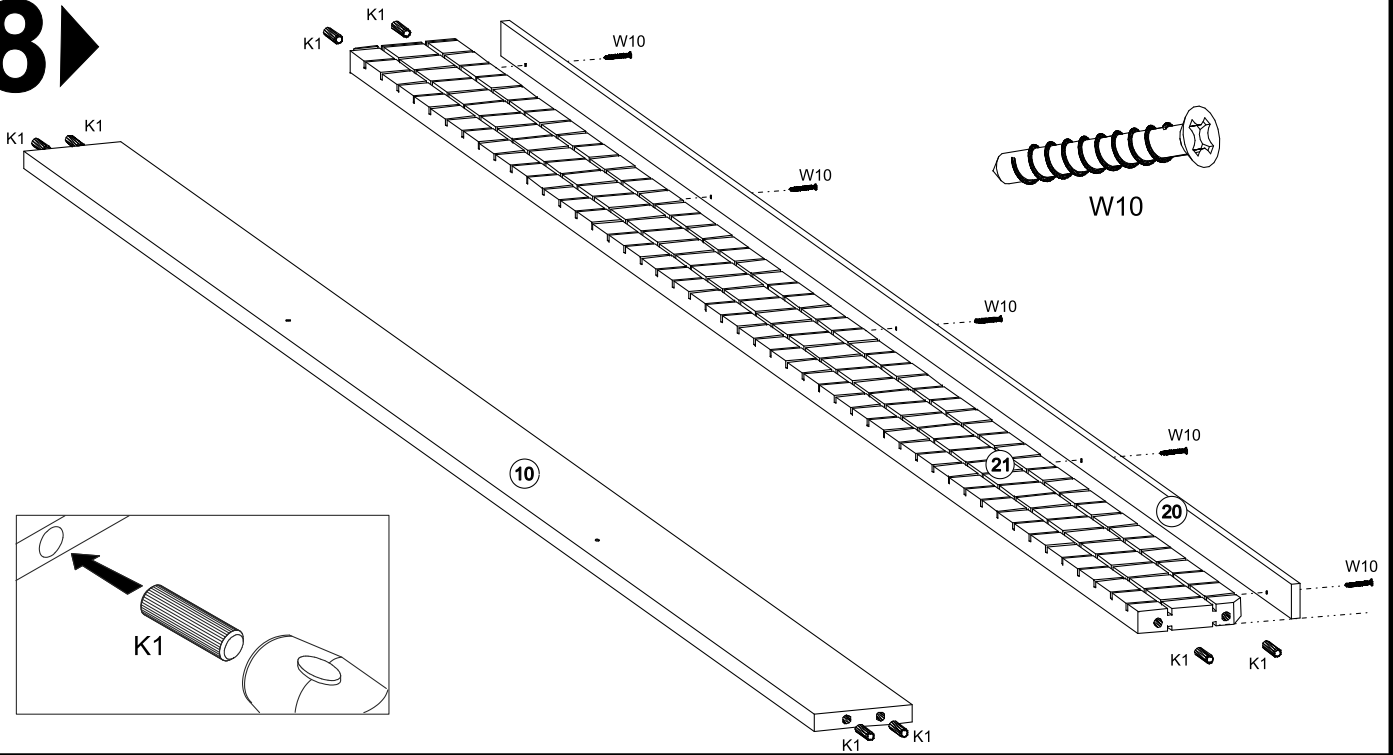
12▶



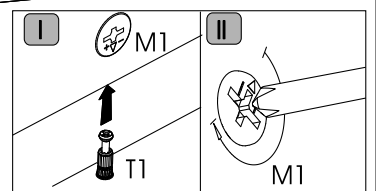
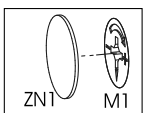
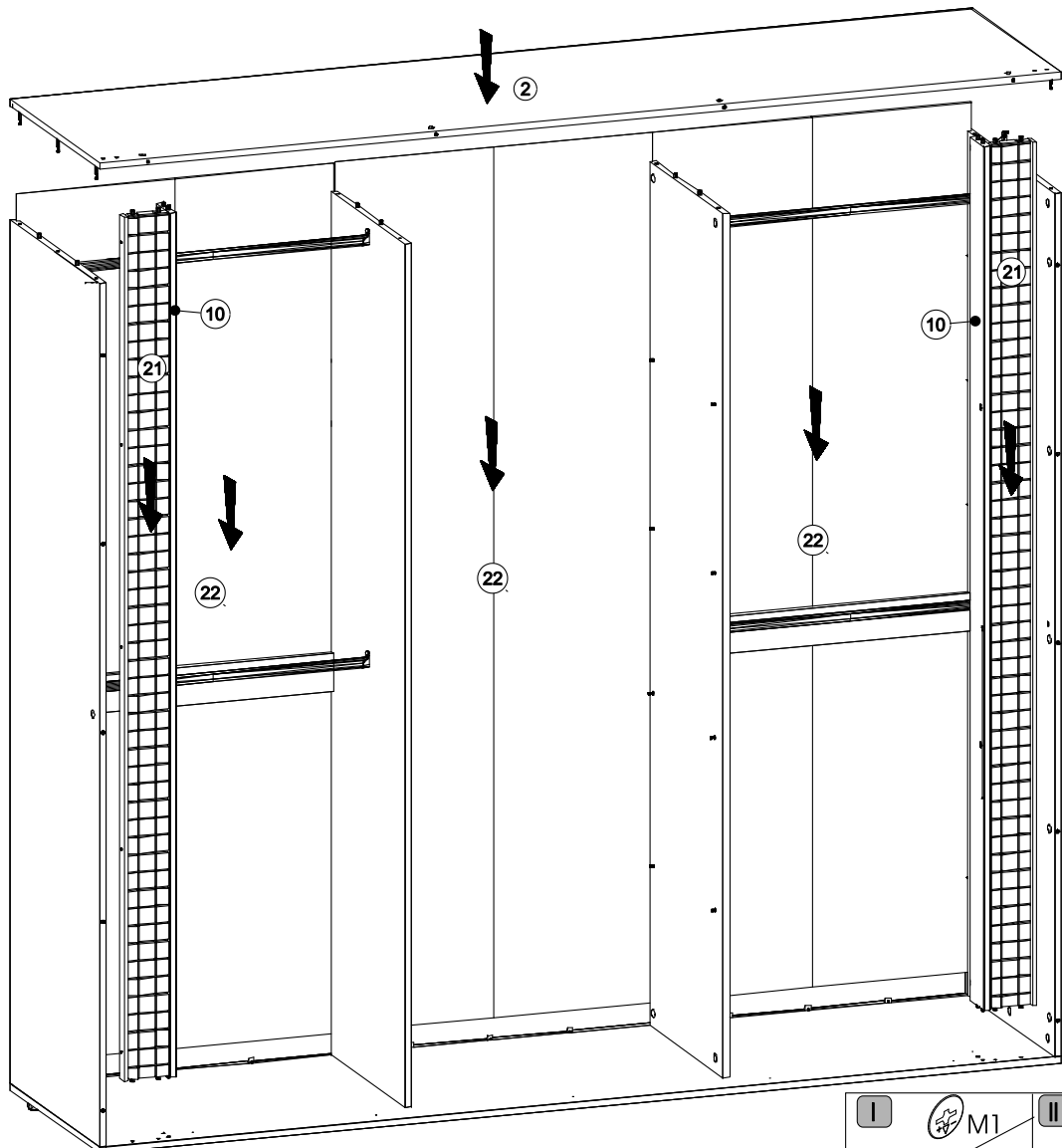
13▶



8 ▶

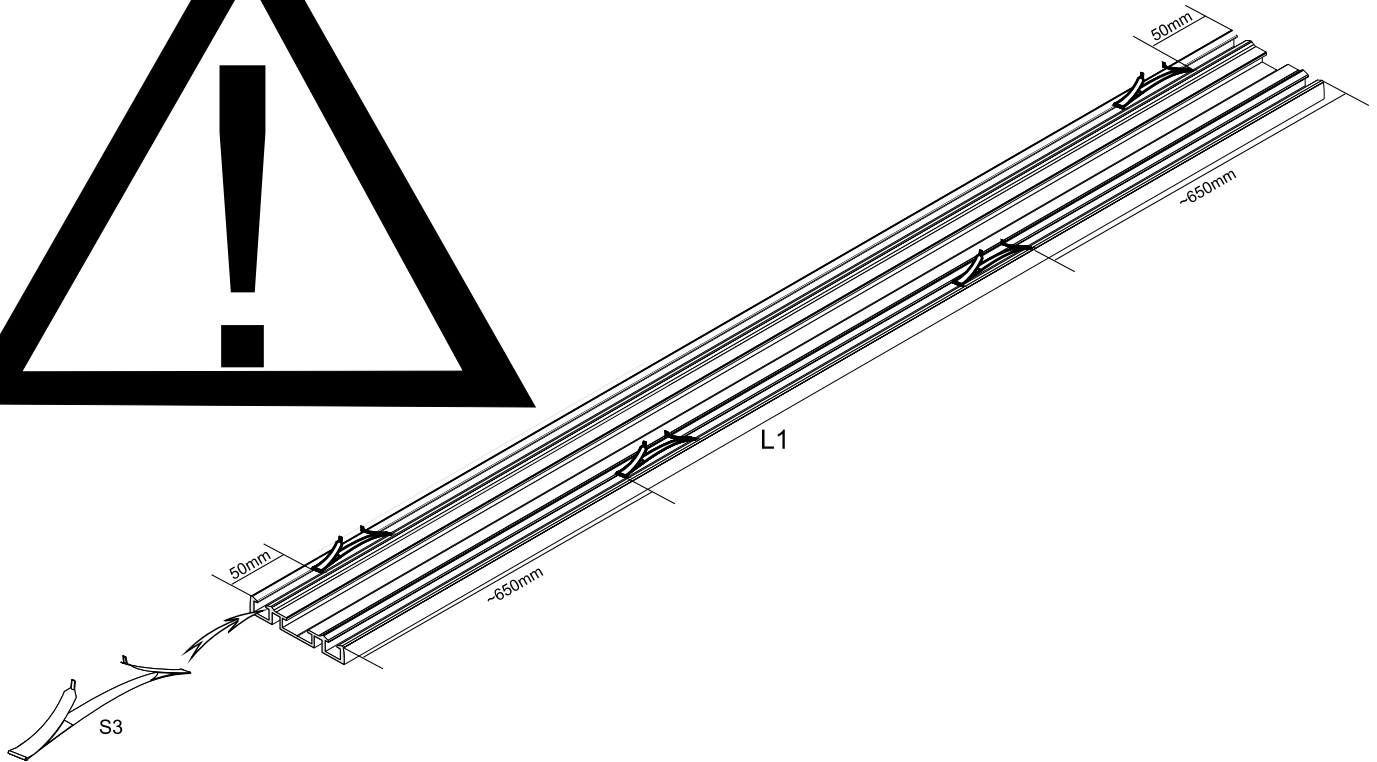


9 ▶

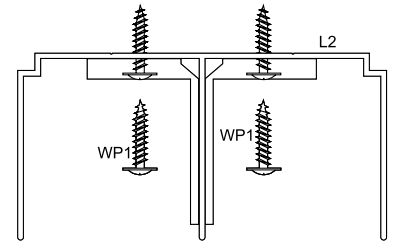
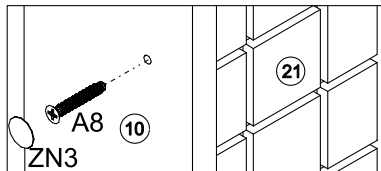


# 10▶

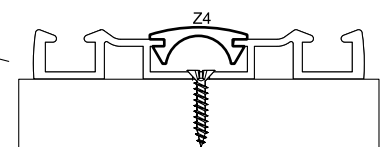
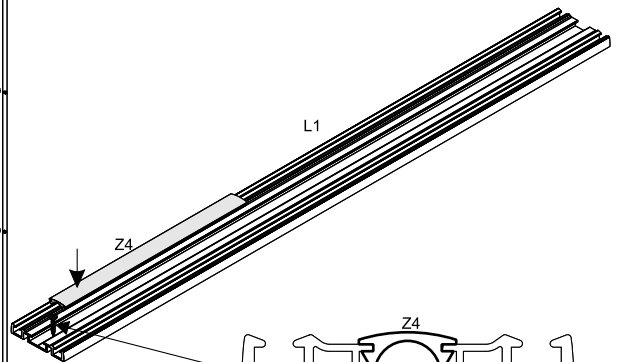
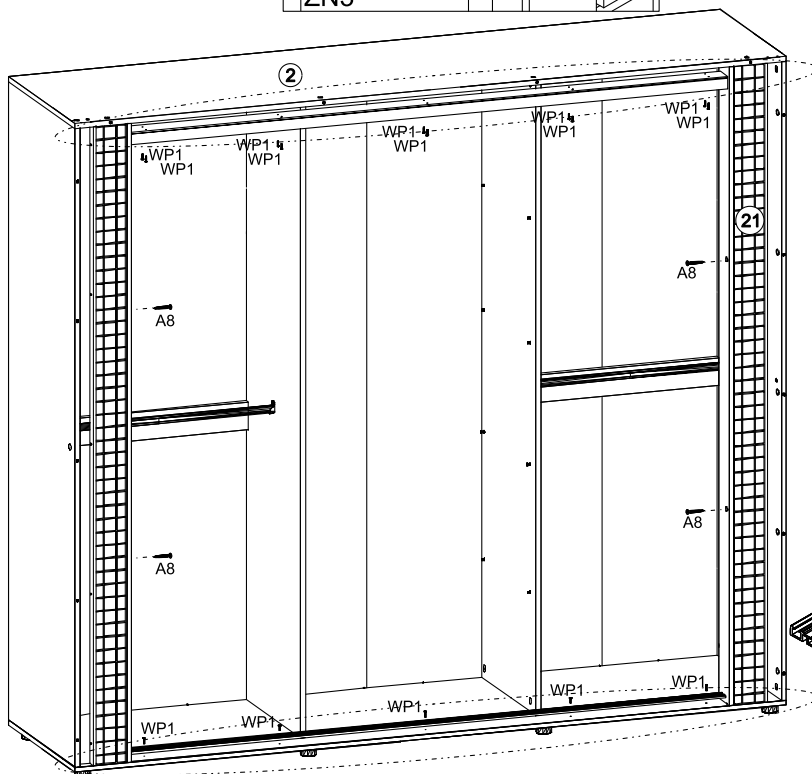
## DN13



# 11▶



TOR GÓRNY (TOP TRACK)



TOR DOLNY (LOWER TRACK)