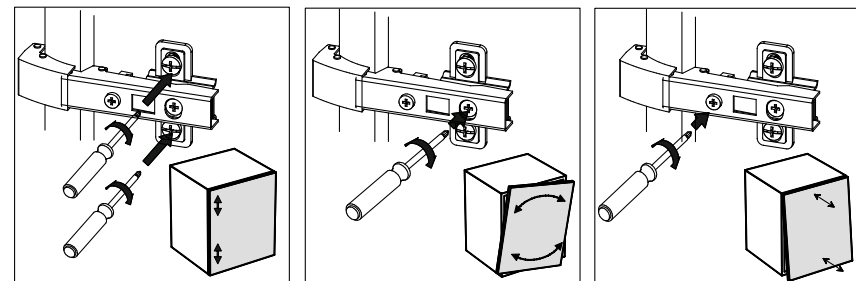
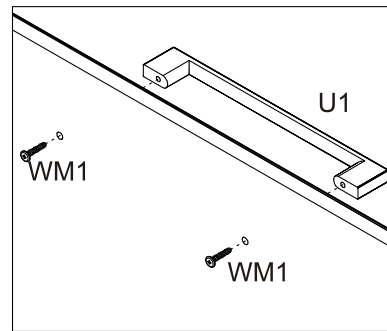
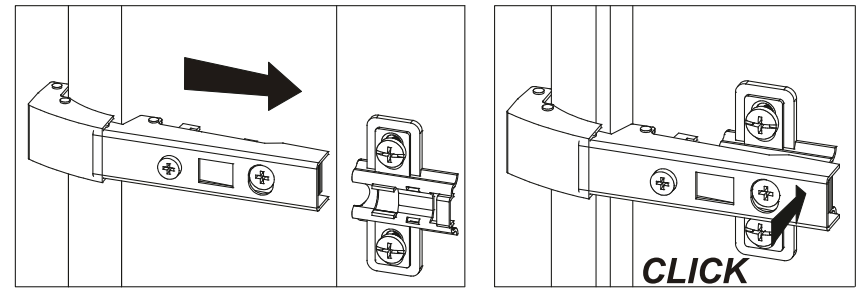
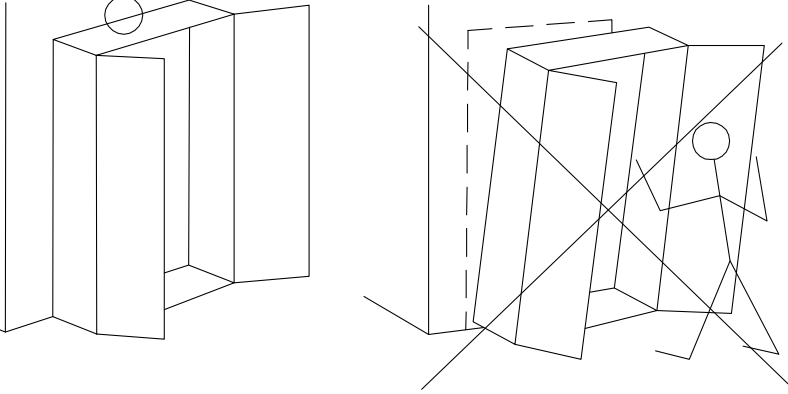
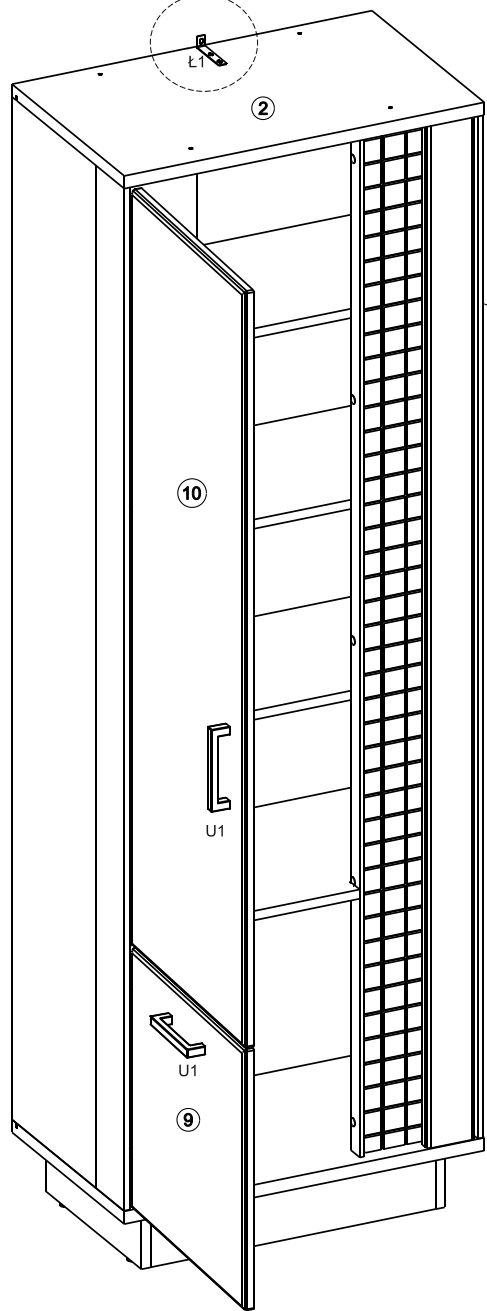
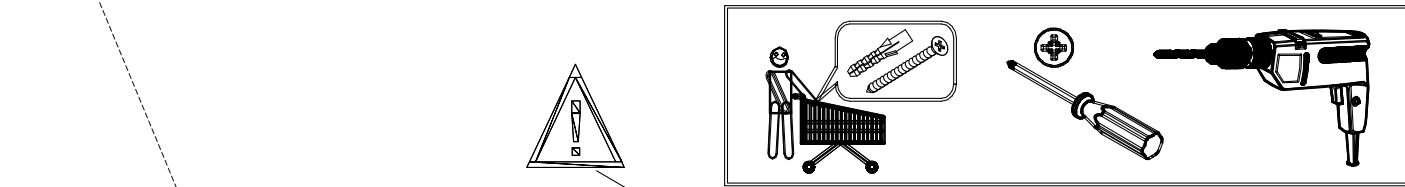
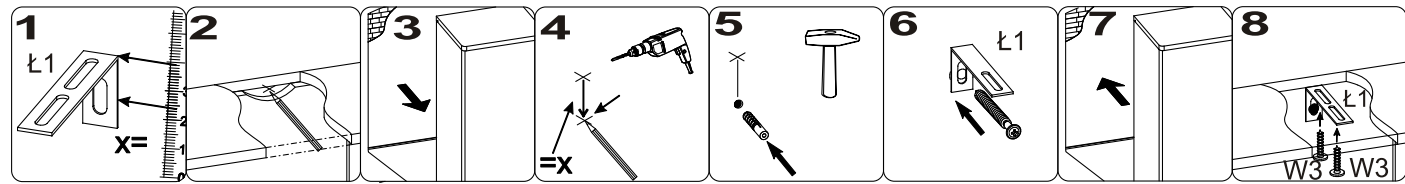
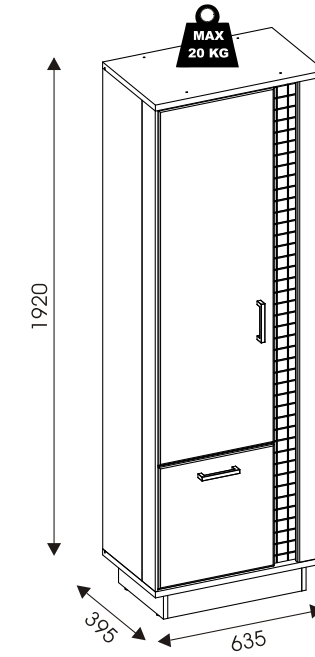
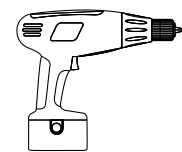
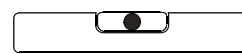
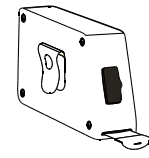
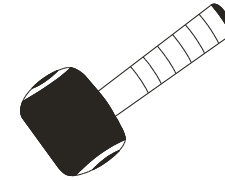
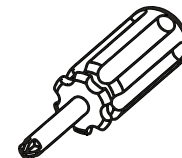
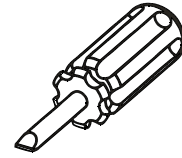
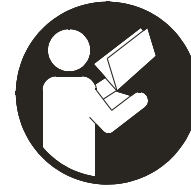


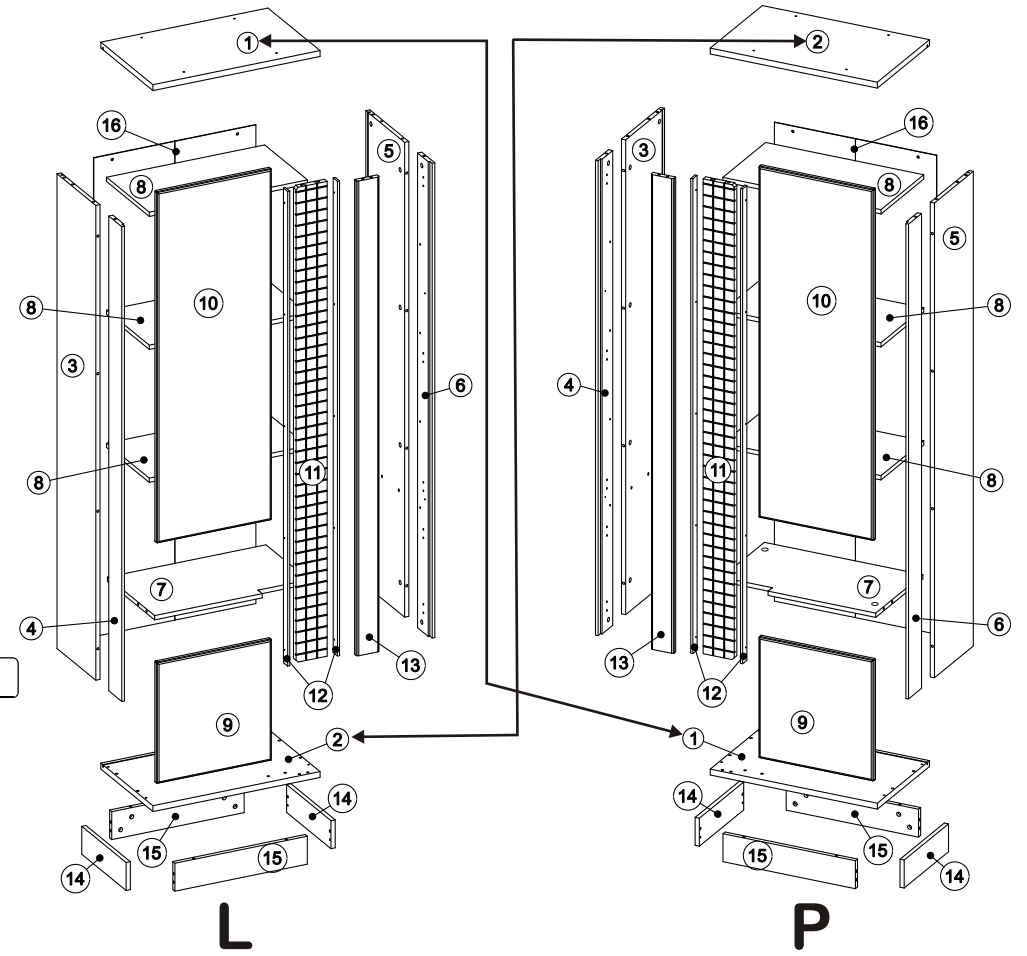
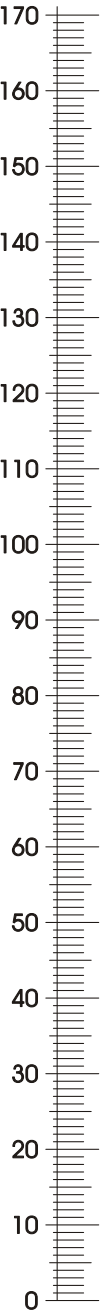
18



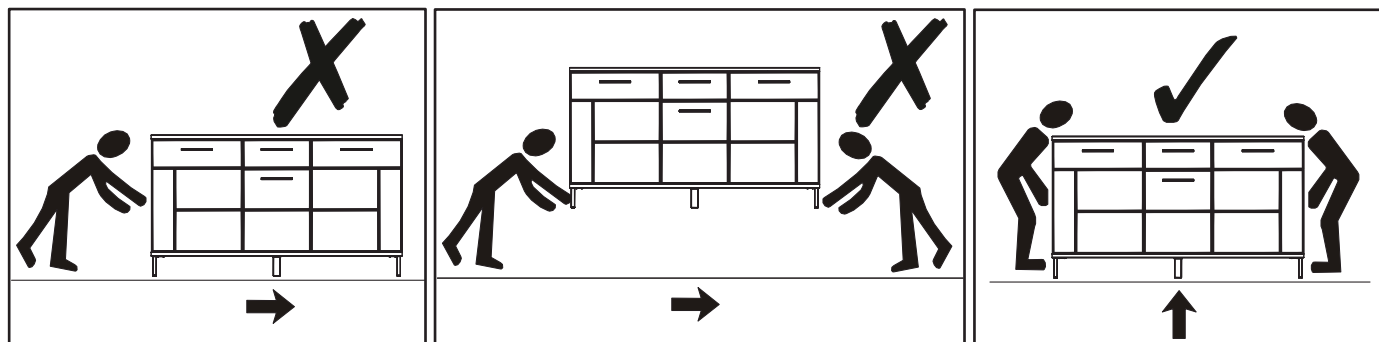
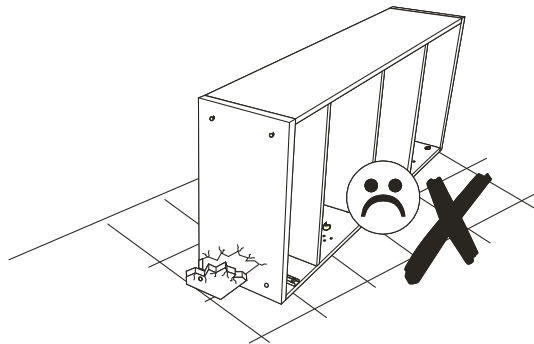
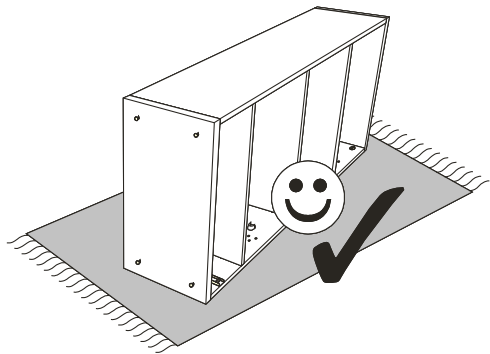
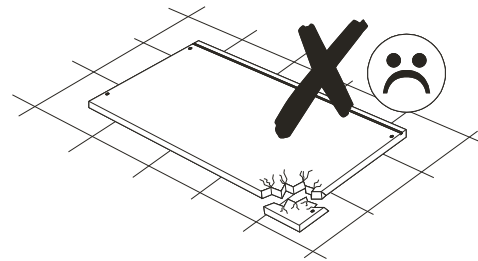
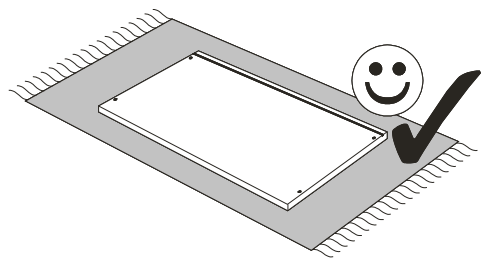
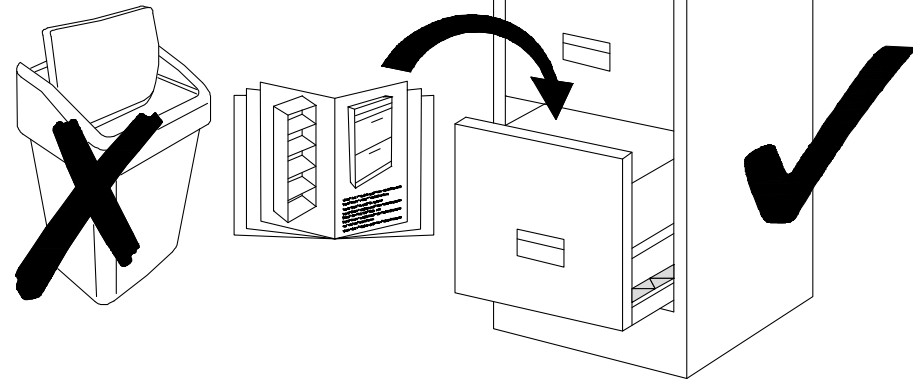
MODELL: DN8



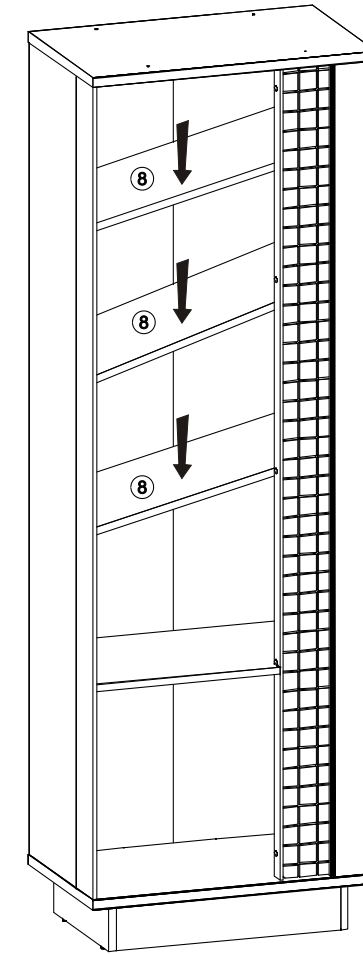
16	616x1782	2/3
15	503x104	3/3
14	337x104	3/3
13	1767x86	2/3
12	1767x32	2/3
11	1767x118	2/3
10	1307x436	3/3
9	436x451	3/3
8	601x325	1/3
7	602x358	1/3
6	1767x99	2/3
5	1767x295	2/3
4	1767x99	2/3
3	1767x295	2/3
2	635x396	1/3
1	635x396	1/3



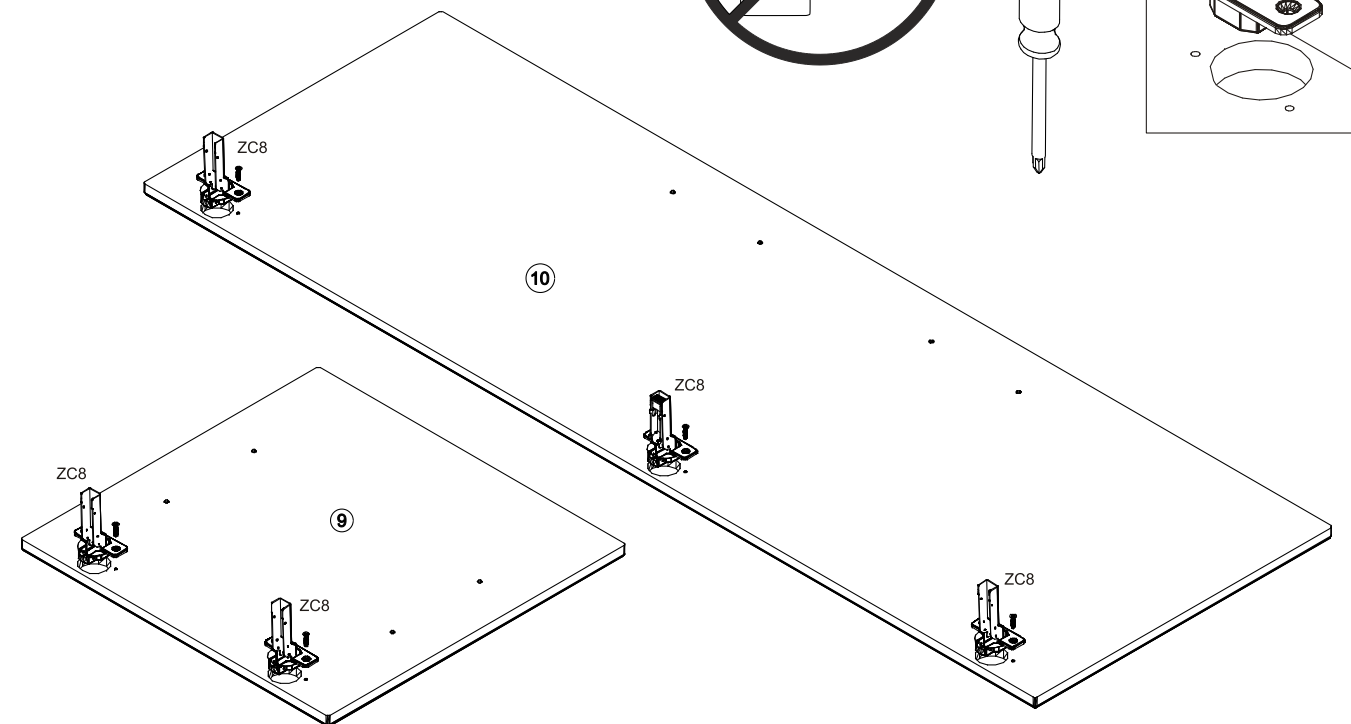
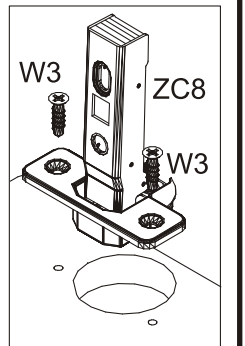
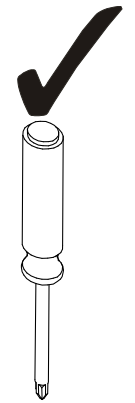
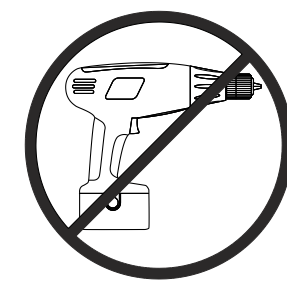
4x	16x	12x	5x	10x	12x	5x	2x	4x							
#20/325	ZN2	3,5x16	W3	ST1	ZC8	3x25	W10	3x20	W9	H=2	PR2	U1	N1		
5x	24x	12x	2x	28x	28x	4x	16x	4x							
#14/112	ZN3	8x30	K1	B1	Z10	#15/15	M1	DU232T	T1	4x30	WM1	#20/112	ZN1	2x20	G1



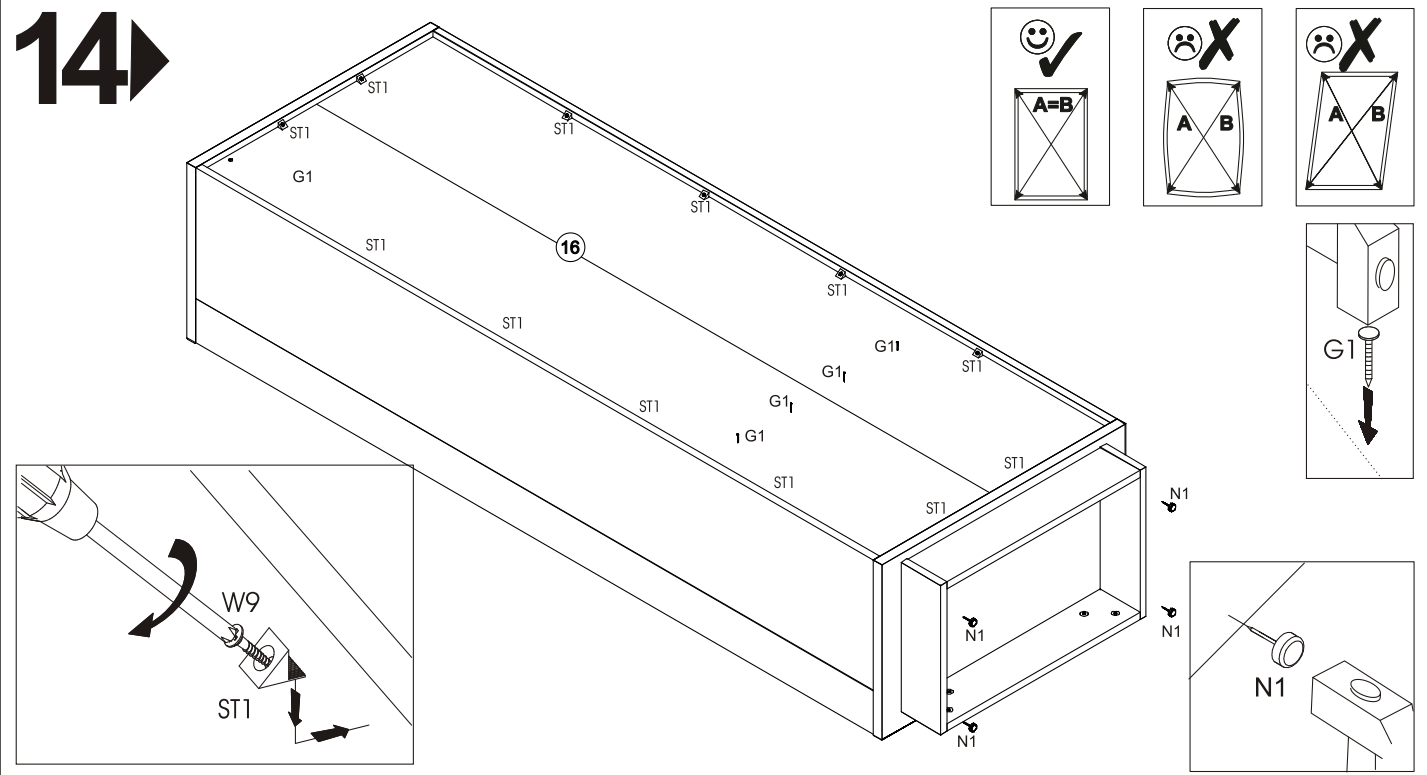
16▶



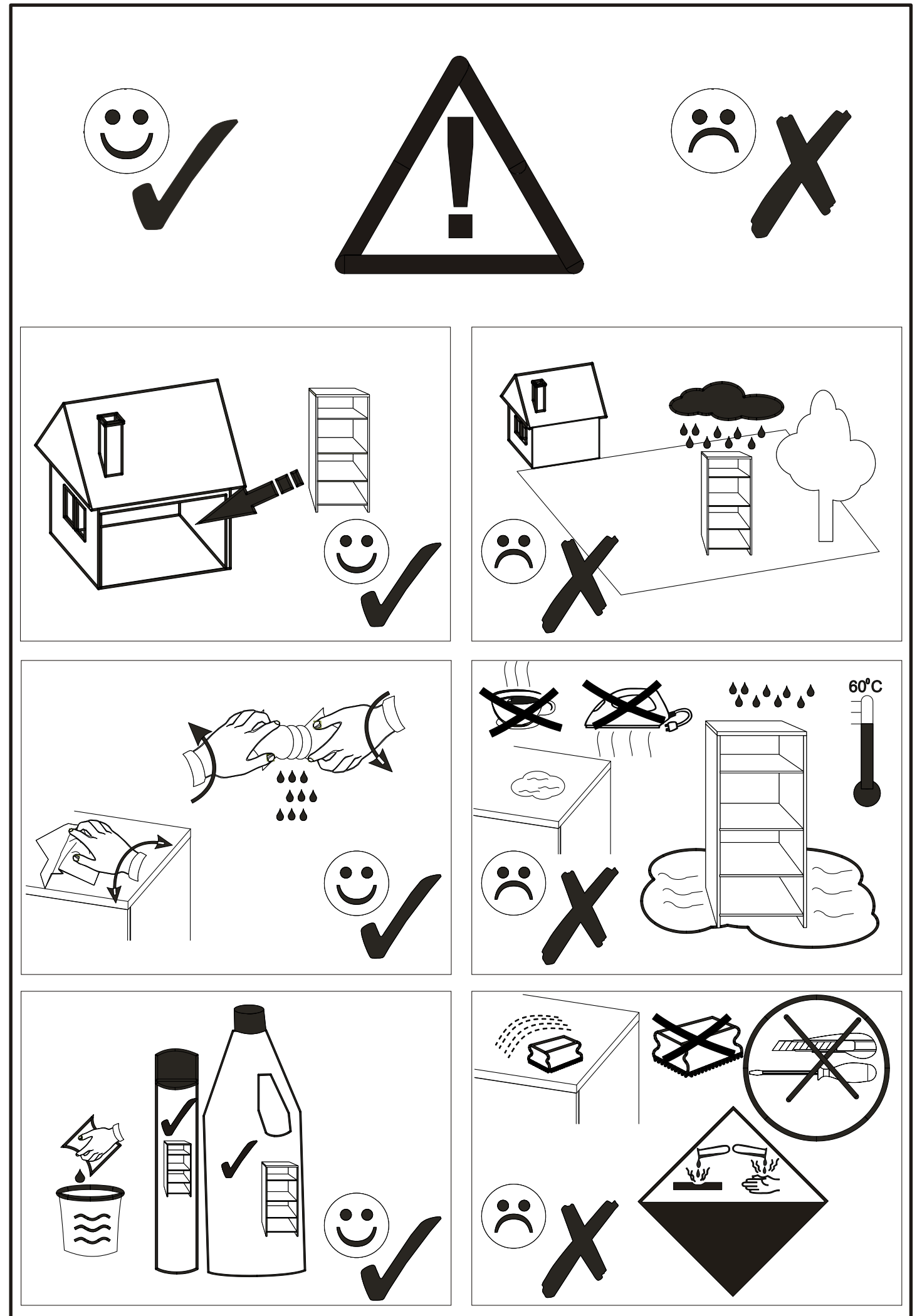
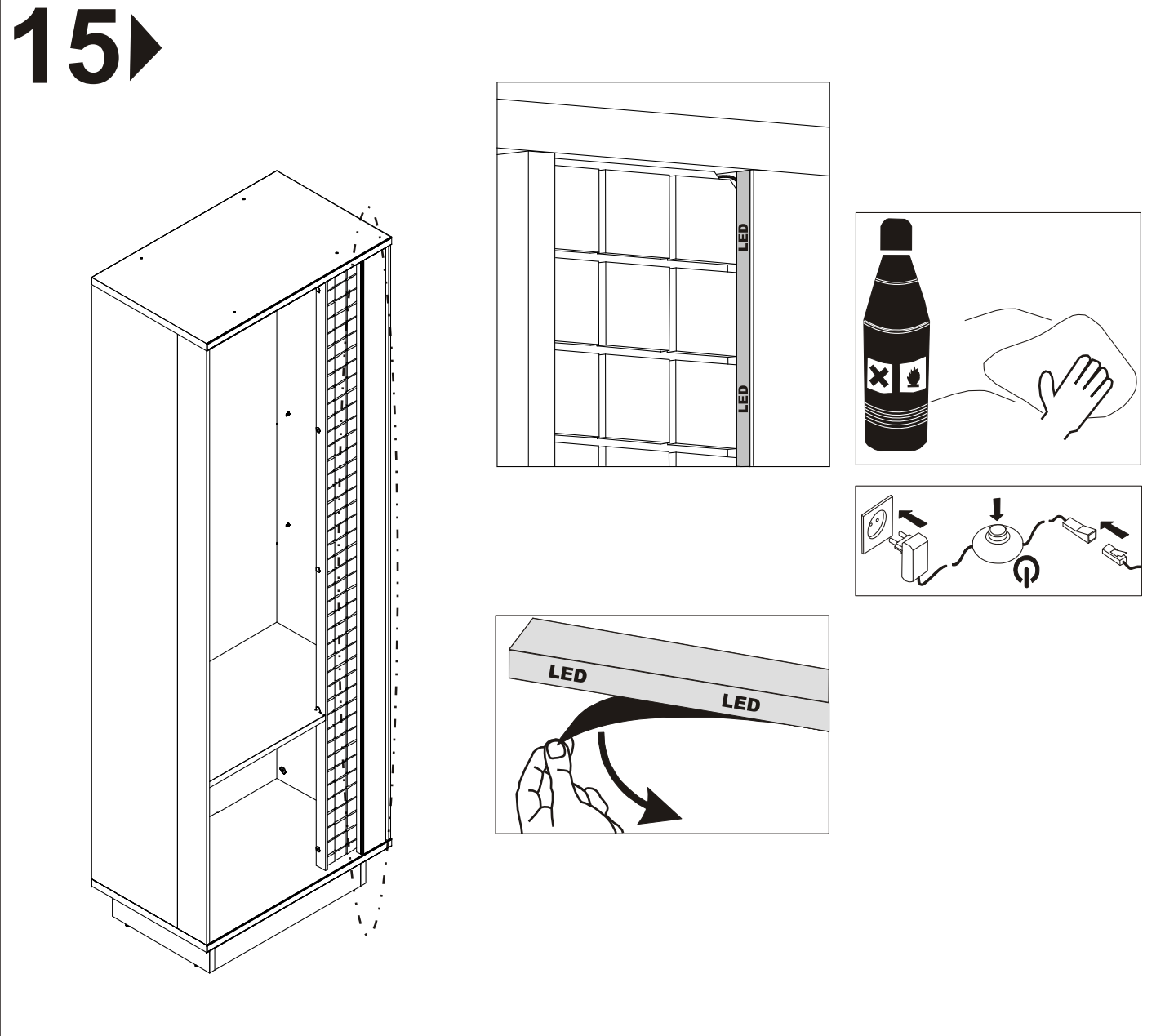
17▶

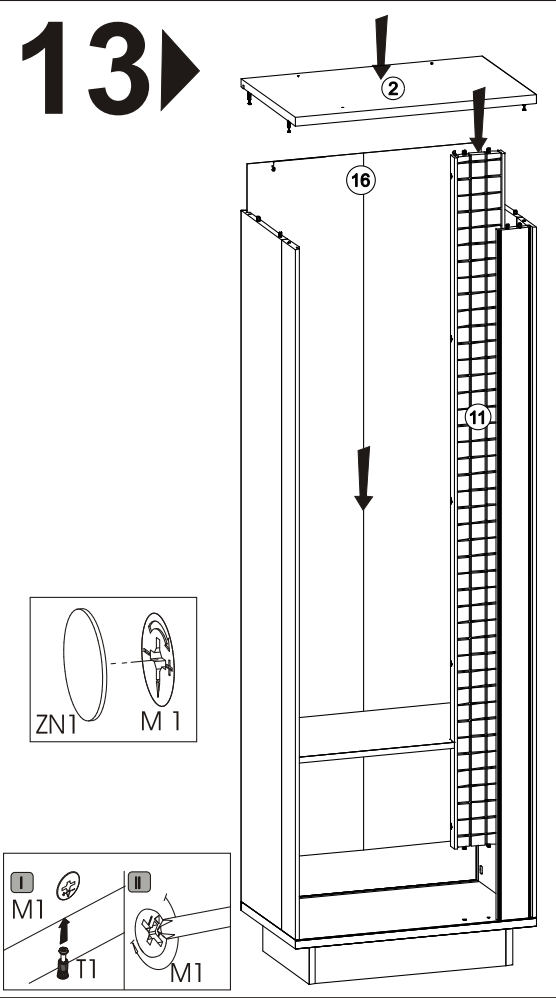
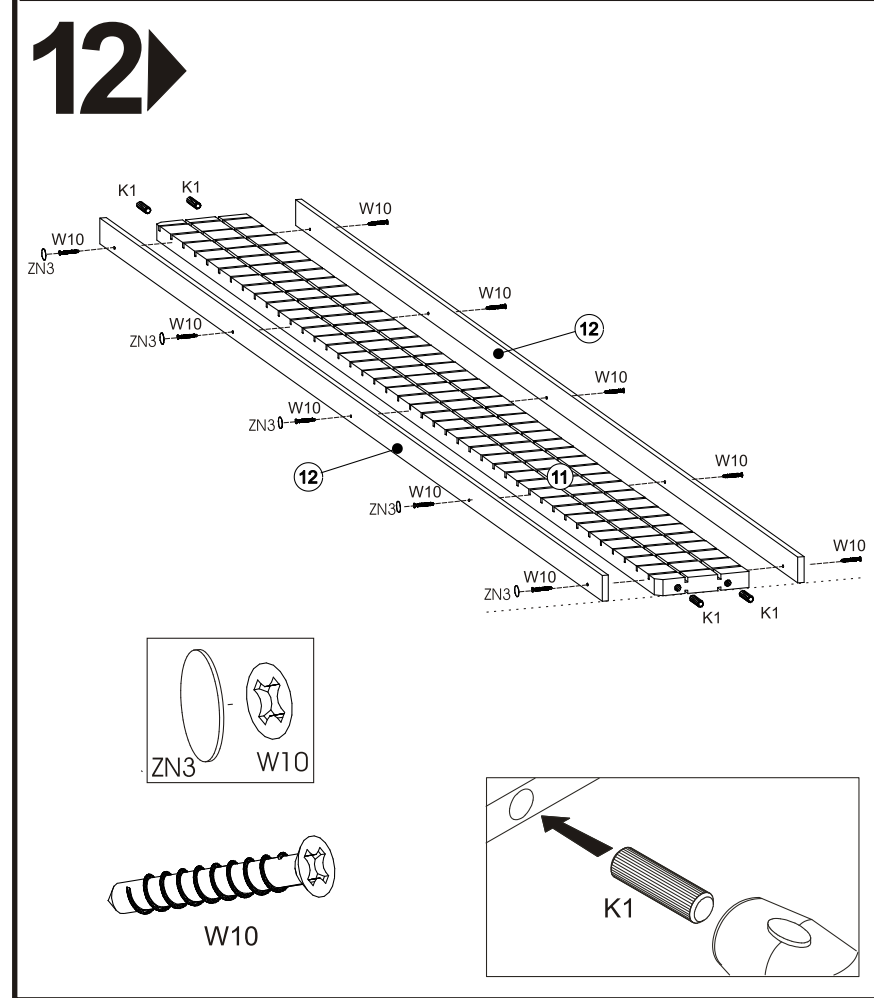
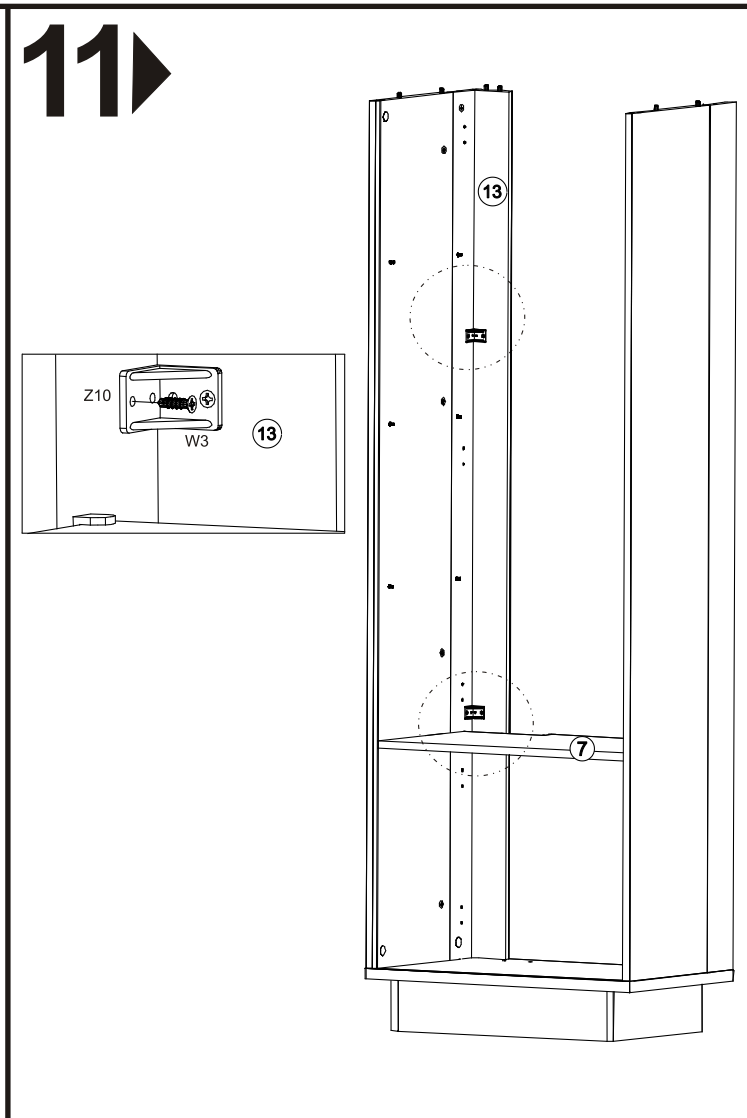
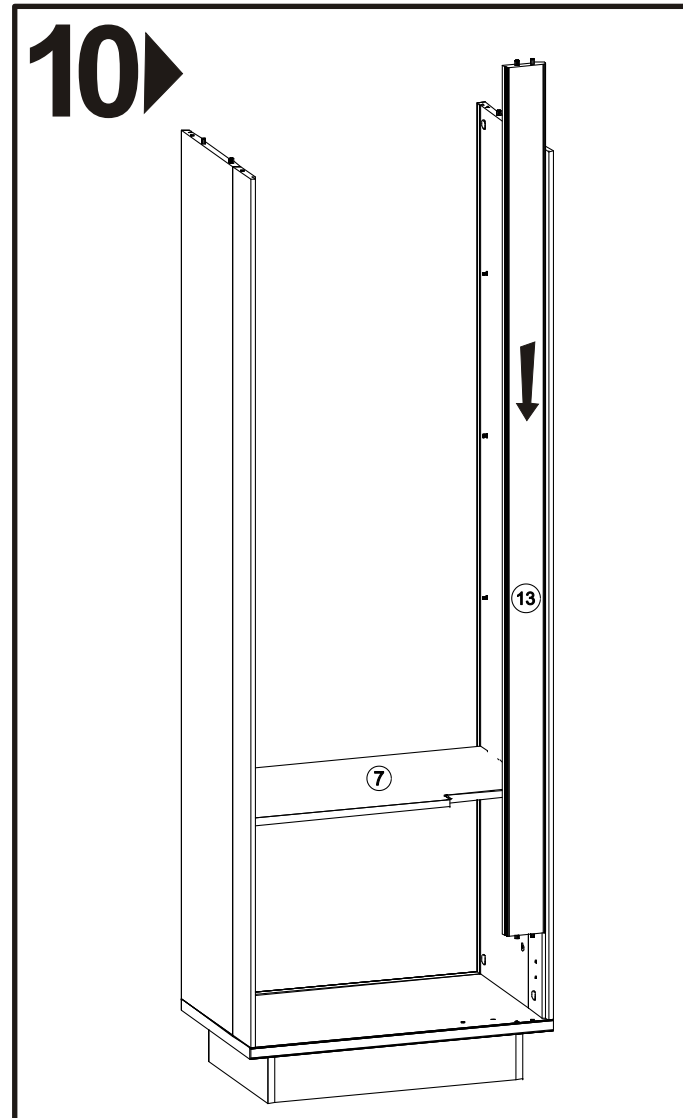
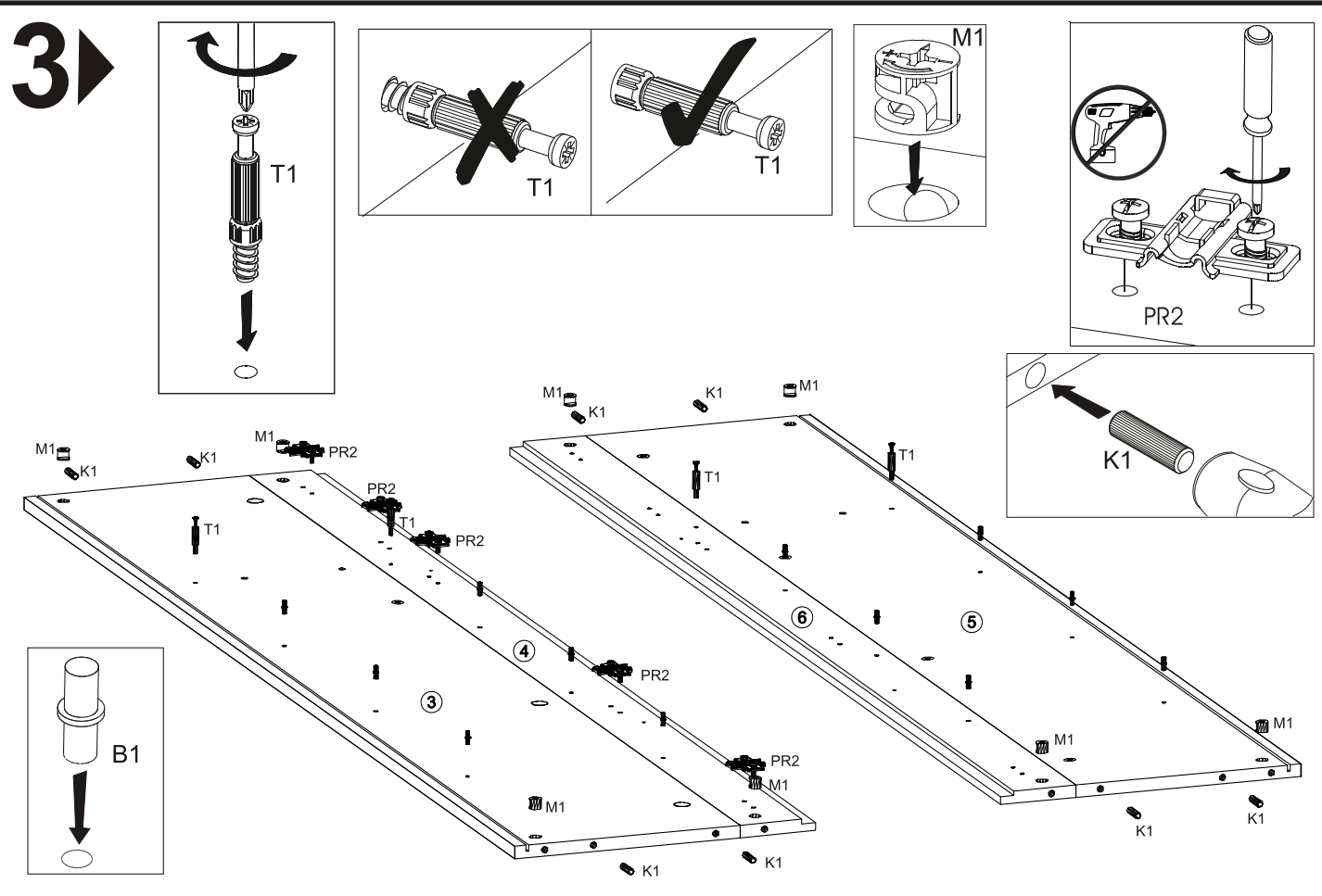
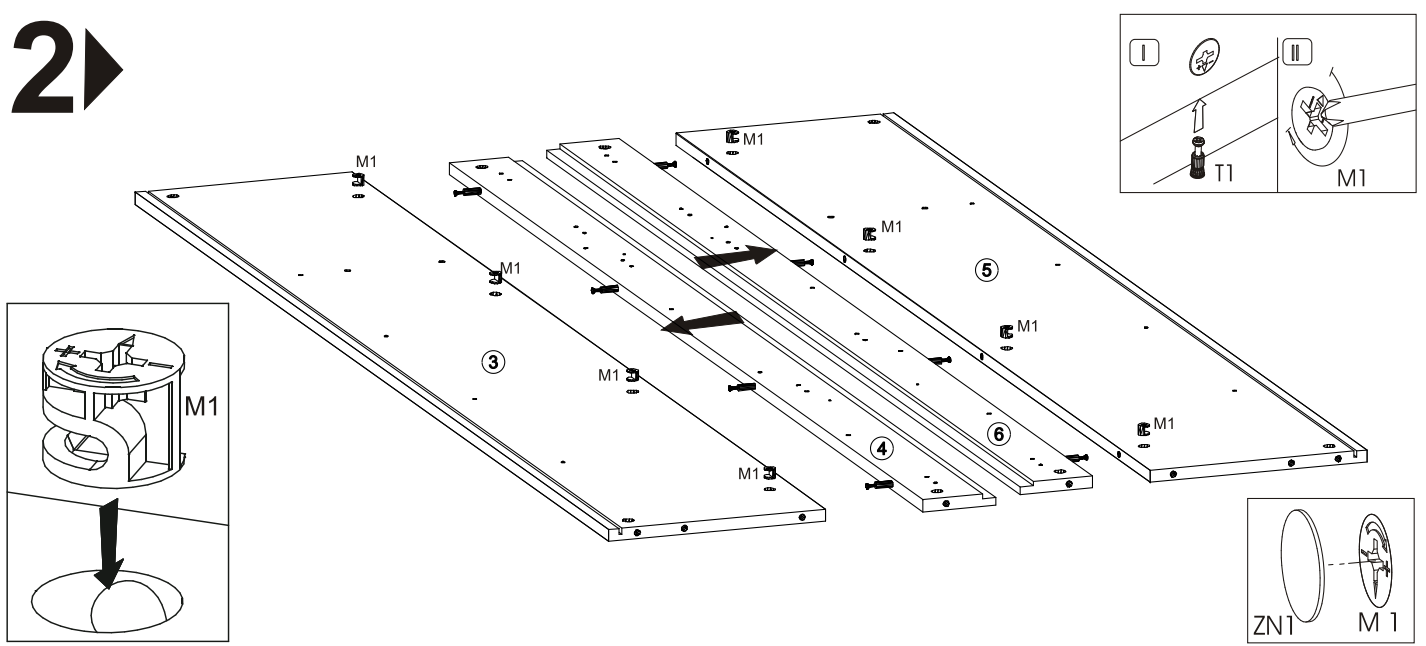
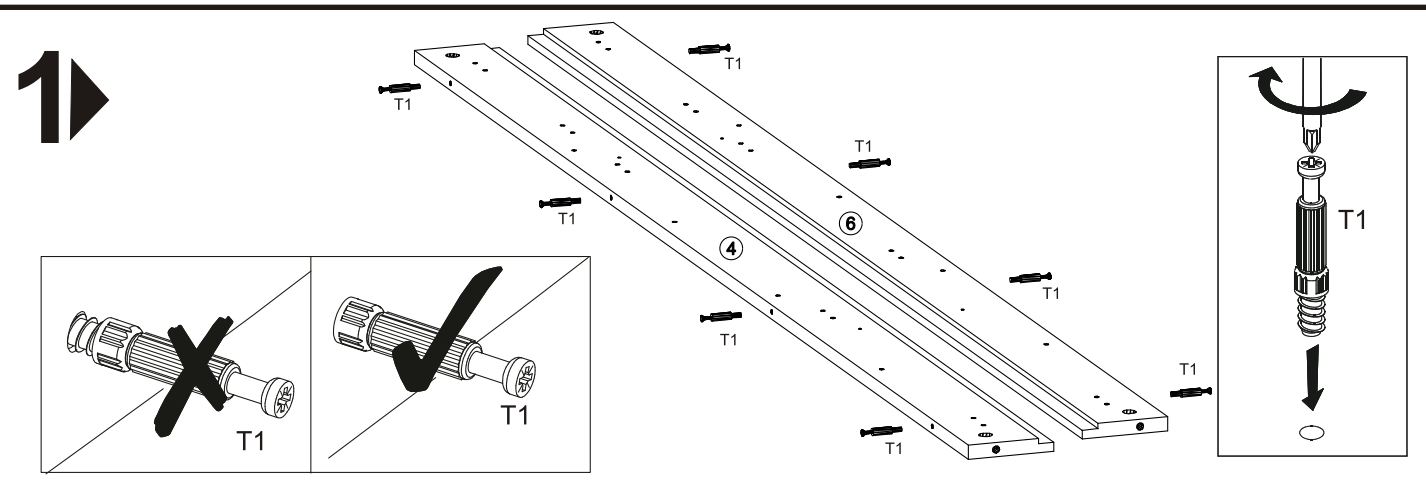


14

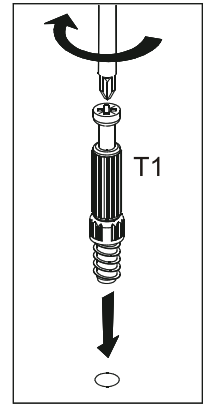
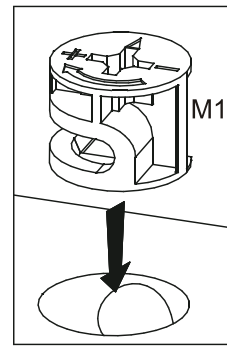
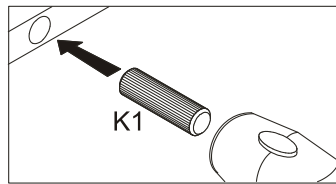
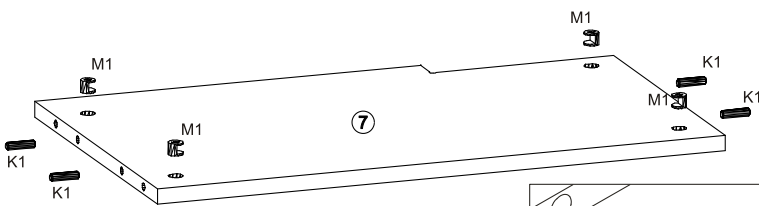
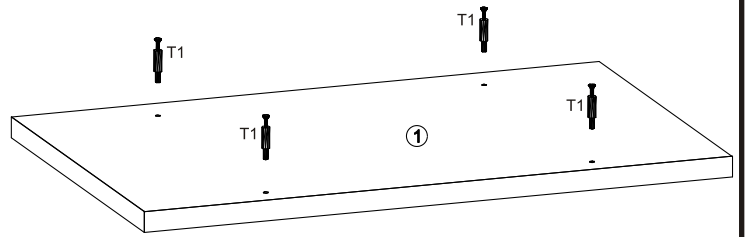
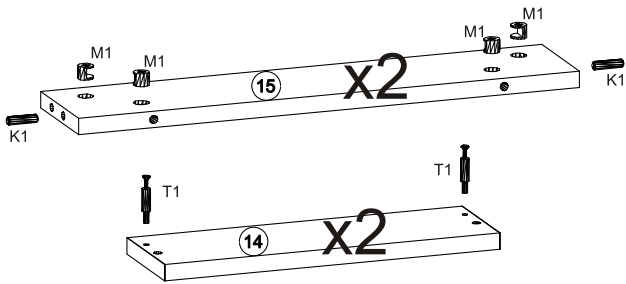
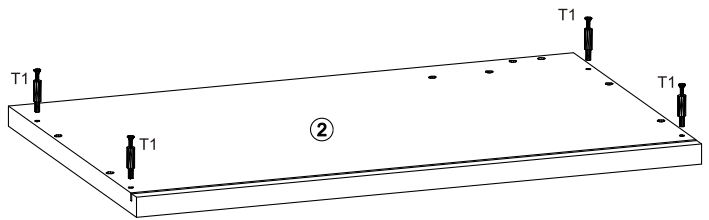
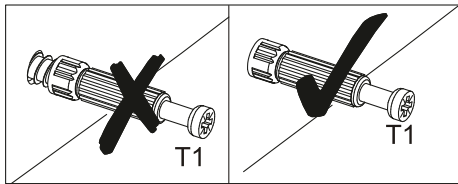


15

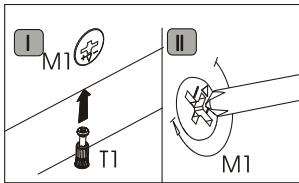
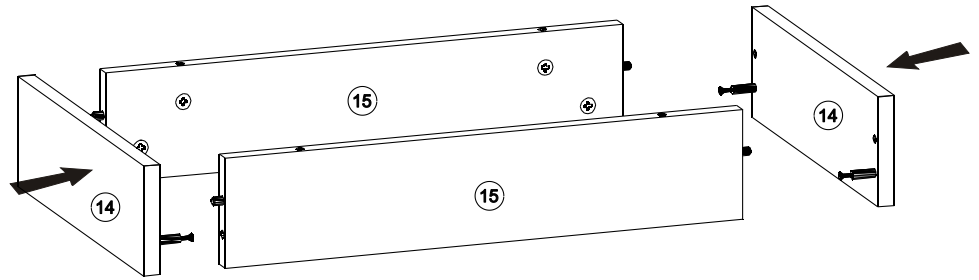




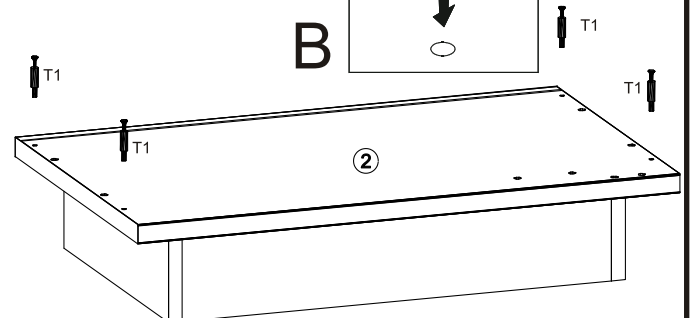
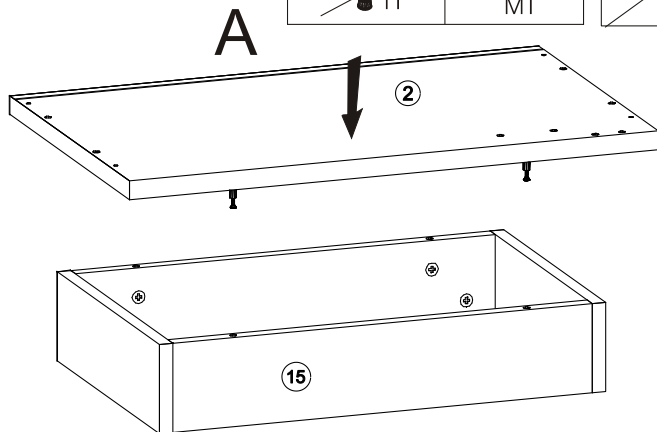
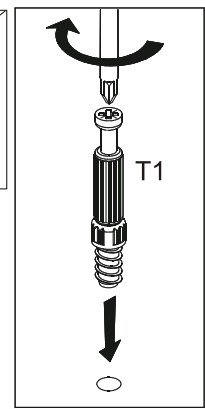
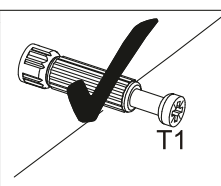
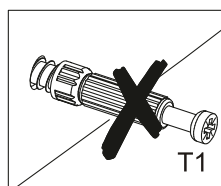
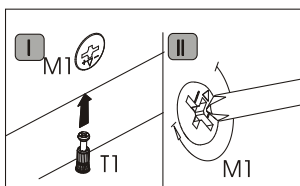
4 ▶



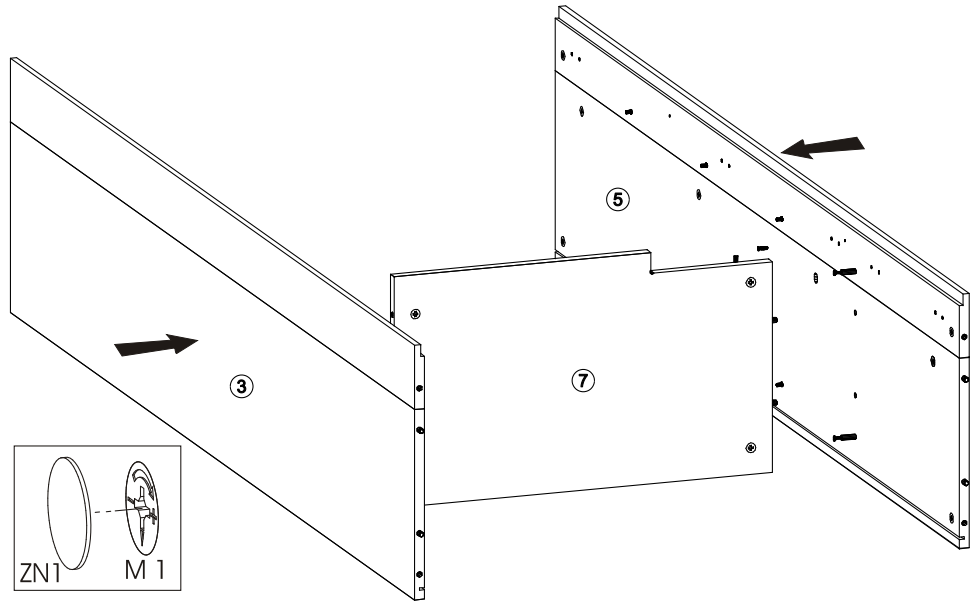
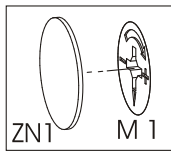
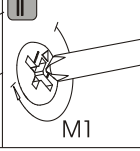
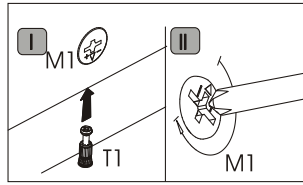
5 ▶



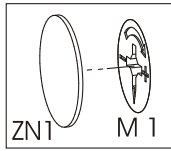
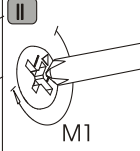
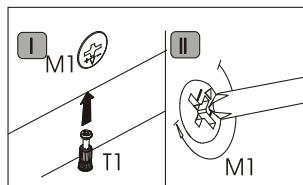
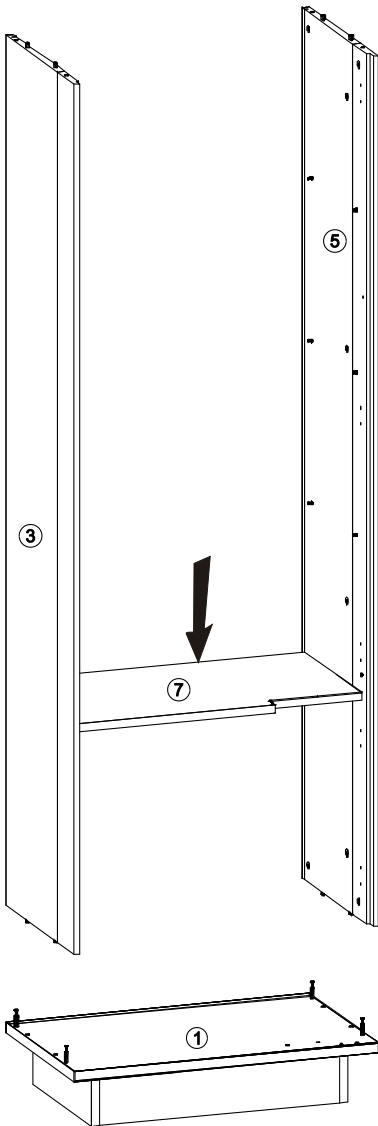
6 ▶



7 ▶



8 ▶



9 ▶

